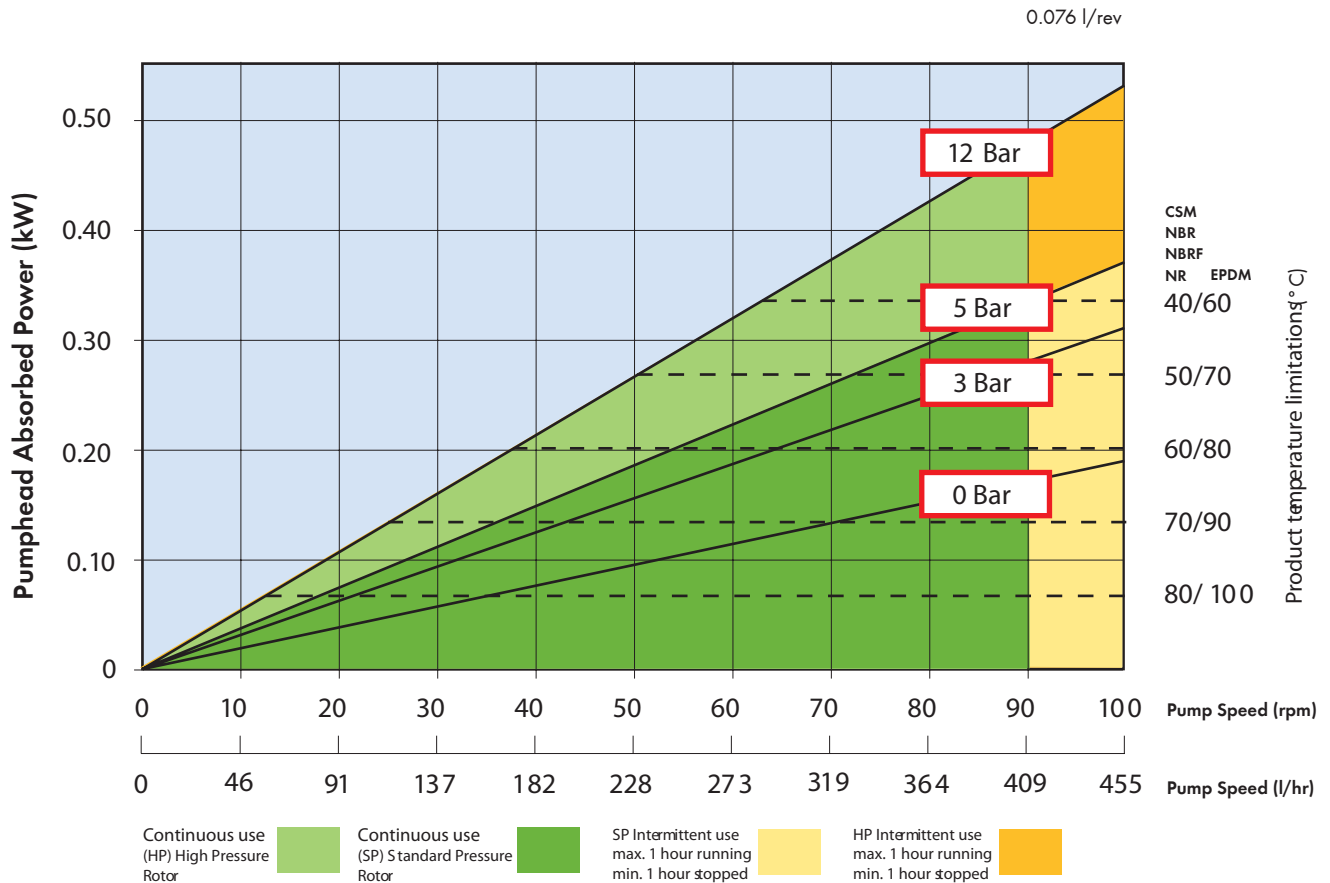


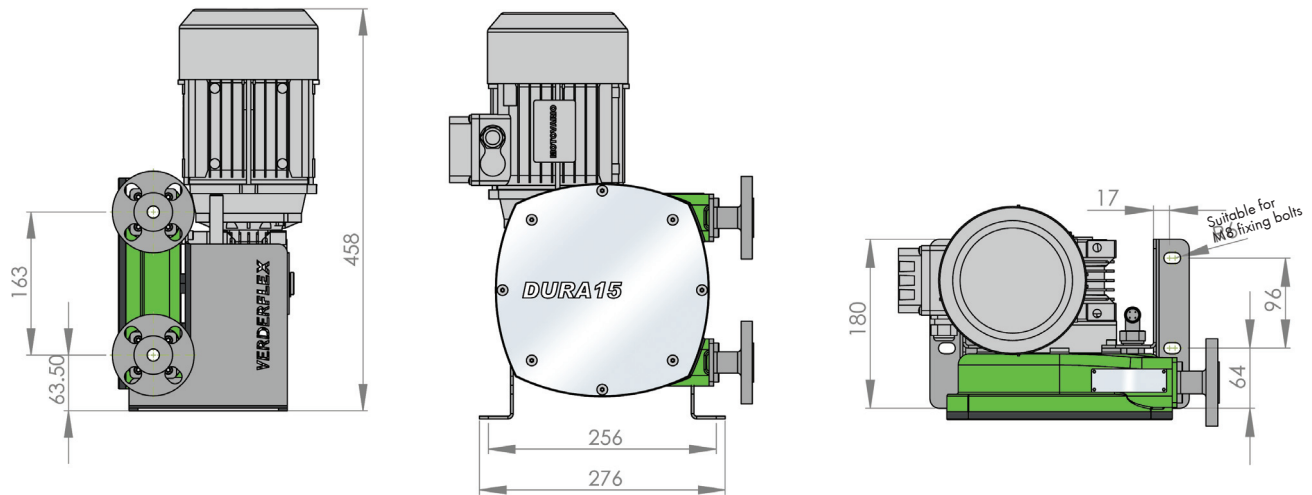
Verderflex® Dura 15 Technical Data Sheet



Description	Material	Description	Material
Pump housing	Cast Steel ASTM A216: WCB (RAL 6018 - Green)	Torque arm	EN10025 Structural Steel (RAL 7021)
Front cover	Polycarbonate	Bearing	Stainless Steel Grade EN1.4125 (440c)
Rotor	Cast Aluminium LM25 Option: Cast Iron GG25	Shaft seal	Viton Option: PTFE
Drive shaft	EN24T Steel	Lubricant	Verderlube - Glycerine based lubricant Verdersil - Silicon based lubricant
Flange	Stainless Steel Grade EN.14571(316)	Hose	NR Option: NBR, NBRF, EPDM & CSM
Flange coating (option)	Halar® Anti-Corrosion coating		
Base frame	Powder Coated Mild Steel (RAL 7035 - Grey)		
Weight - Complete pump including drive			30 kg
Motor Mounted Inverter (Optional)			3 kg

Verderflex® Dura 15 Technical Data Sheet

General Assembly Drawing



Please Note: These GA drawings are for guidance only. For mounting drawings please contact an authorised Verderflex® distributor.

Standard Pump Configurations (Including Natural Rubber hose)

Flow l/hr	Pump Speed RPM	Installed Motor Power kW	Part Number Std Rotor (for up to 6 Bar discharge pressure)	Part Number HP Rotor (for up to 8 Bar discharge pressure)
50	11	0.18	136.1000	136.1100
68	15	0.25	136.1010	136.1110
82	18	0.25	136.1020	136.1120
105	23	0.37	136.1030	136.1130
128	28	0.37	136.1040	136.1140
160	35	0.37	136.1050	136.1150
214	47	0.55	136.1060	136.1160
255	56	0.55	136.1070	136.1170
319	70	0.75	136.1080	136.1180
424	93	0.92	136.1090	136.1190

- Standard order options include IP65 protection, ATEX compliant pumps, thermistors and forced fan cooling.
- Dura pumps for discharge pressures over 8 Bar are available to special order

VERDER Ltd

Whitehouse Street, Hunslet, LEEDS, LS10 1AD • Tel: +44 (0)113 222 0250 • Fax: +44 (0)113 222 0291 • info@verderflex.com

Affiliated companies:

A Wien • B Aartselaar • CZ Praha • D Haan • F Eragny s/Oise • GB Leeds • H Budapest • JPN Tokyo
NL Groningen/Vleuten • PL Katowice • RO Bucaresti • SA Johannesburg • USA Newtown

www.verderflex.com