



GHV20 Series

Variable speed water booster sets with multistage vertical electric pumps.

SPECIFICATIONS

Number of pumps: 2

Delivery: up to 48 m³/h

Head: up to 120 m

Input voltage of panel

1 x 230 V 50 Hz (single-phase)

3 x 400 V 50 Hz (three-phase)

Power range:

2 x 2,2 kW (single-phase)

2 x 7,5 kW (three-phase)

Motor starting via variable frequency operation

Water temperature: 0°C to +40°C

Pump type: vertical

MATERIALS

Pump: Stainless steel

Manifold: AISI 304 stainless steel

PRODUCT APPLICATIONS AND CHARACTERISTICS

- Easy to install
- Trouble-free servicing
- Pressure transducer controlled
- Compact solution
- Constant output pressure
- Variable speed motors with consequently reduced noise
- Protection against dry running
- Accessories: Hydro tube
- Versions with non-return valve on suction line available on request



For a complete list of technical information, consult www.lowara.com

Engineered for life



General Catalogue

GHV20/SV2-8 SERIES OF PRESSURE BOOSTERS HYDRAULIC PERFORMANCE TABLE AT 50 Hz

UNIT TYPE GHV20/..	RATED DELIVERY kW	Q = DELIVERY													
		l/min 0	40	60	80	100	120	140	200	240	266	300	334	400	466
		m ³ /h 0	2,4	3,6	4,8	6	7,2	8,4	12	14,4	16	18	20	24	28
H = TOTAL HEAD IN COLUMN OF WATER (METRES)															
SV202F03T	2 x 0.37	21,5	18,5	17	15	13	10,5	7,5							
SV203F03T	2 x 0.37	32	28	25,2	23	19,5	15,5	11							
SV204F05T	2 x 0.55	42,5	37,5	34	30,5	26	20,5	15							
SV205F07T	2 x 0.75	53,5	47	42,5	38	32	26	18							
SV206F07T	2 x 0.75	64	56	51	45,5	38,5	31	22							
SV207F11T	2 x 1.1	75	65,5	60	53	45	36,5	26							
SV208F11T	2 x 1.1	85,5	75	68	61	51,5	41,5	30							
SV209F11T	2 x 1.1	96	84	76,5	68,5	58	46,5	32,5							
SV211F15T	2 x 1.5	117	103	94	84	71	57	41							
SV212F15T	2 x 1.5	128	112	102	91	77	62	44							
SV214F22T	2 x 2.2	150	131	119	106	90	73	52							
SV402F03T	2 x 0.37	20			17	16	15	14,5	10,5	7,5	5				
SV403F05T	2 x 0.55	30			25,5	24	23	22	16	11	7,5				
SV404F07T	2 x 0.75	40			34	32	30,5	29	21	15	10				
SV405F11T	2 x 1.1	50			42,5	40	38	36,5	26	18,5	12,5				
SV406F11T	2 x 1.1	60			51	48	45,5	44	31,5	22	16				
SV407F11T	2 x 1.1	70			59,5	56	53	51	37	26	18				
SV408F15T	2 x 1.5	80			68	65	61	58,5	42	29,5	21				
SV409F15T	2 x 1.5	90			76,5	73	68,5	65,5	47	33,5	23				
SV411F22T	2 x 2.2	111			93,5	89	83,5	80,5	58	41	29				
SV413F22T	2 x 2.2	131			111	105	99	95	68	48	34				
SV414F30T	2 x 3	141			119	113	106	102	73,5	52	36				
SV802F11T	2 x 1.1	27							24,8	24	23	22	20,5	17,2	13,2
SV803F15T	2 x 1.5	41							37	36	34,5	33	30,5	25,8	20
SV804F22T	2 x 2.2	55							50	47,5	46	44	41	34,5	26,5
SV805F22T	2 x 2.2	68							62	60	57,5	55	51	43	33
SV806F30T	2 x 3	82							74,5	71	69	66	61,5	52	40
SV808F40T	2 x 4	110							99	95	92	87,5	81,5	69	53
SV809F40T	2 x 4	123							112	107	104	97,5	92	78	60

The table shows performance levels with two pumps working simultaneously.

g20v-2p50_a_th

GHV20/SV8-16 SERIES OF PRESSURE BOOSTERS HYDRAULIC PERFORMANCE TABLE AT 50 Hz

UNIT TYPE GHV20/..	RATED POWER kW	Q = DELIVERY													
		l/min 0	200	240	266	300	334	400	466	534	600	700	800		
		m ³ /h 0	12	14,4	16	18	20	24	28	32	36	42	48		
H = TOTAL HEAD IN COLUMN OF WATER (METRES)															
SV811F55T	2 x 5.5	150	137	130	127	119	112	95	73						
SV1602F22T	2 x 2.2	35				32,5	32	31	29,5	27,5	25	20	14,3		
SV1603F30T	2 x 3	52				49	48	46	44	41	37,5	30,2	21,5		
SV1604F40T	2 x 4	69				65	64	62	59	54,5	50	40,3	28,6		
SV1605F55T	2 x 5.5	86				81	80	77	73	68,5	62	50	35,8		
SV1606F55T	2 x 5.5	104				98	96	92	88	82	75	60,5	43		
SV1607F75T	2 x 7.5	121				114	112	108	103	96	87	70,5	50		
SV1608F75T	2 x 7.5	138				130	128	123	117	109	100	81	57		

The table shows performance levels with two pumps working simultaneously.

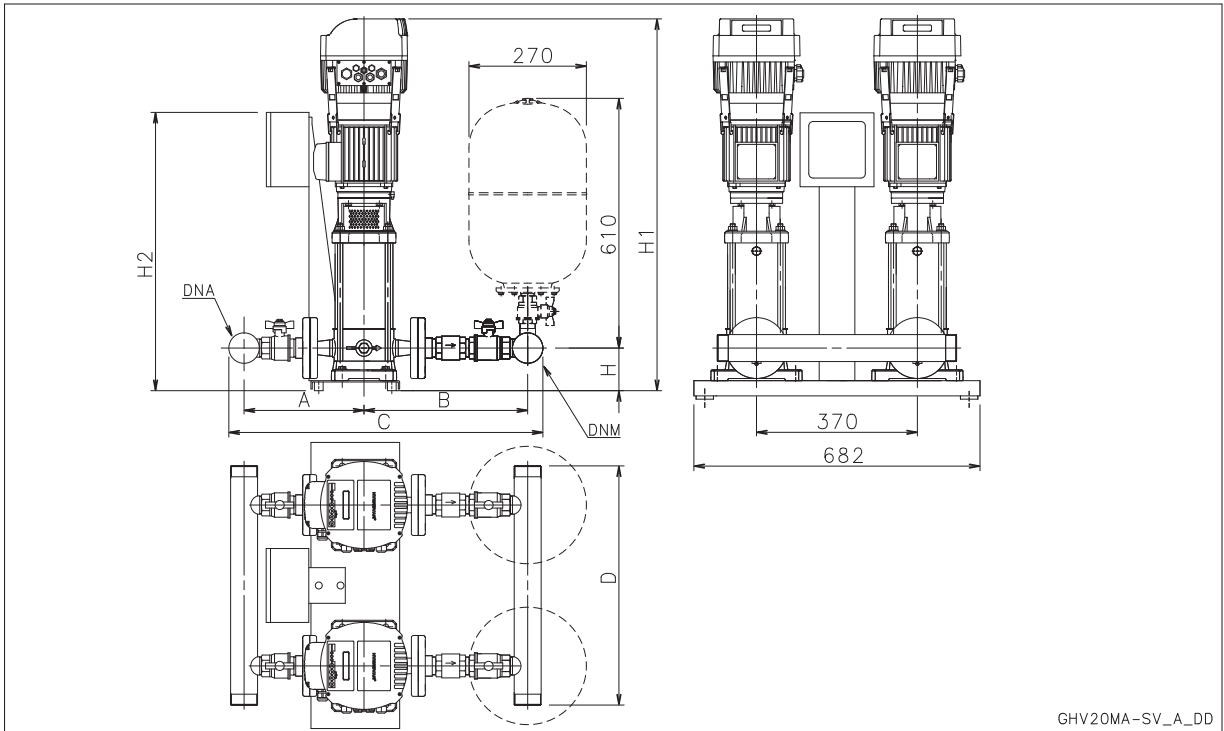
gcomv2p-2p50_a_th

Engineered for life



General Catalogue

GHV20 ../M SERIES OF PRESSURE BOOSTERS 2 VERTICAL ELECTRIC PUMPS WITH NON-RETURN VALVE ON DELIVERY SIDE - SINGLE-PHASE POWER SUPPLY



GHV20MA-SV_A_DD

GHV 20	DNA	DNM	A		B C				D	H	H1	H2
			DW	A304	DW	A304	DW	A304				
SV204F05T	R 2"	R 2"	252	301	321	346	633	707	610	109	785	651
SV206F07T	R 2"	R 2"	252	301	321	346	633	707	610	109	840	651
SV209F11T	R 2"	R 2"	252	301	321	346	633	707	610	109	952	651
SV211F15T	R 2"	R 2"	252	301	321	346	633	707	610	109	1012	651
SV212F15T	R 2"	R 2"	252	301	321	346	633	707	610	109	1037	651
SV214F22T	R 2"	R 2"	252	301	321	346	633	707	610	109	1087	651
SV403F05T	R 2"	R 2"	265	311	328	431	653	802	610	109	760	651
SV404F07T	R 2"	R 2"	265	311	328	431	653	802	610	109	790	651
SV407F11T	R 2"	R 2"	265	311	328	431	653	802	610	109	902	651
SV409F15T	R 2"	R 2"	265	311	328	431	653	802	610	109	962	651
SV413F22T	R 2"	R 2"	265	311	328	431	653	802	610	109	1062	651
SV803F15T	R 2"1/2	R 2"1/2	302	356	397	497	775	929	610	114	893	651
SV804F22T	R 2"1/2	R 2"1/2	302	356	397	497	775	929	610	114	931	651
SV805F22T	R 2"1/2	R 2"1/2	302	356	397	497	775	929	610	114	969	651

Dimensions in mm Tolerance ± 10 mm.

ghvm20_sv_b_td

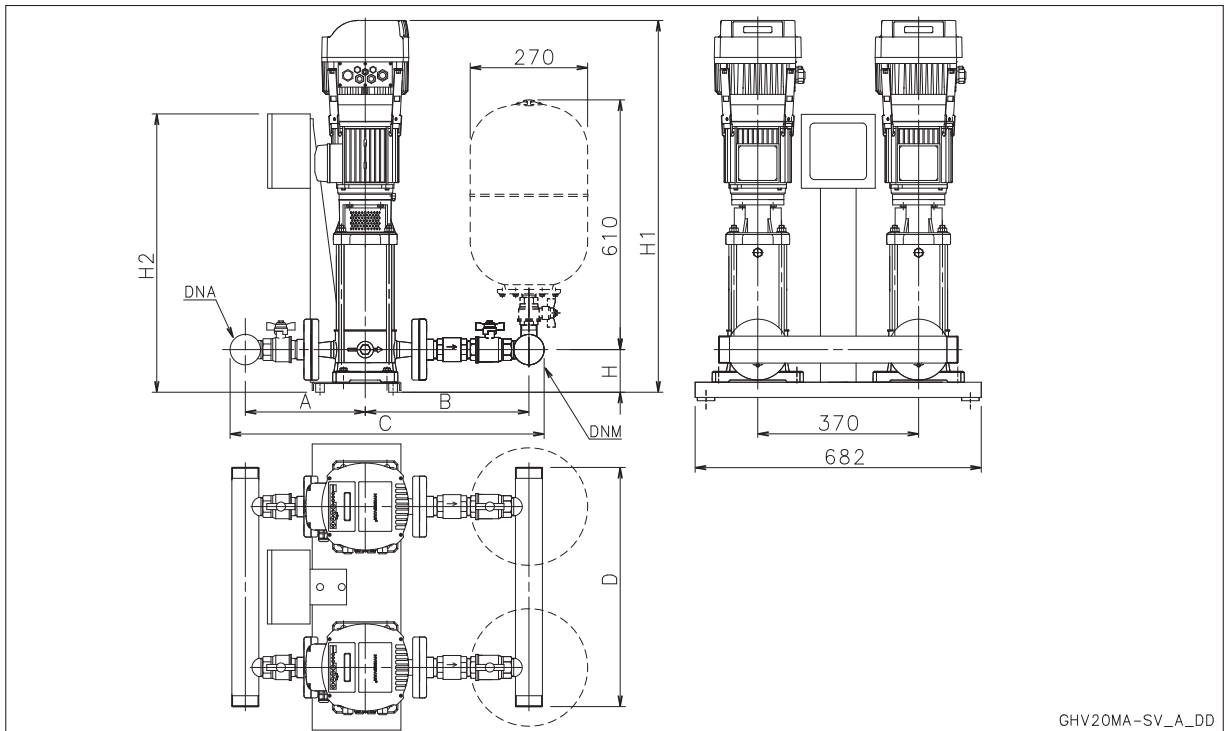
The /A316 versions have the same dimensions as the /A304 versions.

The standard versions of GHV20 series units with vertical electric pumps feature stainless steel manifolds and are of the same size as the /DW version.

Engineered for life



GHV20 SERIES OF PRESSURE BOOSTERS 2 VERTICAL ELECTRIC PUMPS WITH NON-RETURN VALVE ON DELIVERY SIDE - THREE-PHASE POWER SUPPLY



GHV20MA-SV_A_DD

GHV 20	DNA	DNM	A		B C				D	H	H1	H2
			DW	A304	DW	A304	DW	A304				
SV209F11T	R 2"	R 2"	252	301	321	346	633	707	610	109	952	651
SV212F15T	R 2"	R 2"	252	301	321	346	633	707	610	109	1037	651
SV214F22T	R 2"	R 2"	252	301	321	346	633	707	610	109	1087	651
SV407F11T	R 2"	R 2"	265	311	328	431	653	802	610	109	902	651
SV409F15T	R 2"	R 2"	265	311	328	431	653	802	610	109	962	651
SV413F22T	R 2"	R 2"	265	311	328	431	653	802	610	109	1062	651
SV414F30T	R 2"	R 2"	265	311	328	431	653	802	610	109	1137	651
SV803F15T	R 2 1/2"	R 2 1/2"	302	356	397	497	775	929	610	114	893	651
SV804F22T	R 2 1/2"	R 2 1/2"	302	356	397	497	775	929	610	114	931	651
SV805F22T	R 2 1/2"	R 2 1/2"	302	356	397	497	775	929	610	114	969	651
SV806F30T	R 2 1/2"	R 2 1/2"	302	356	397	497	775	929	610	114	1057	651
SV809F40T	R 2 1/2"	R 2 1/2"	302	356	397	497	775	929	610	114	1175	651

Dimensions in mm Tolerance ± 10 mm.

ghvt20_sv_b_td

The /A316 versions have the same dimensions as the /A304 versions.

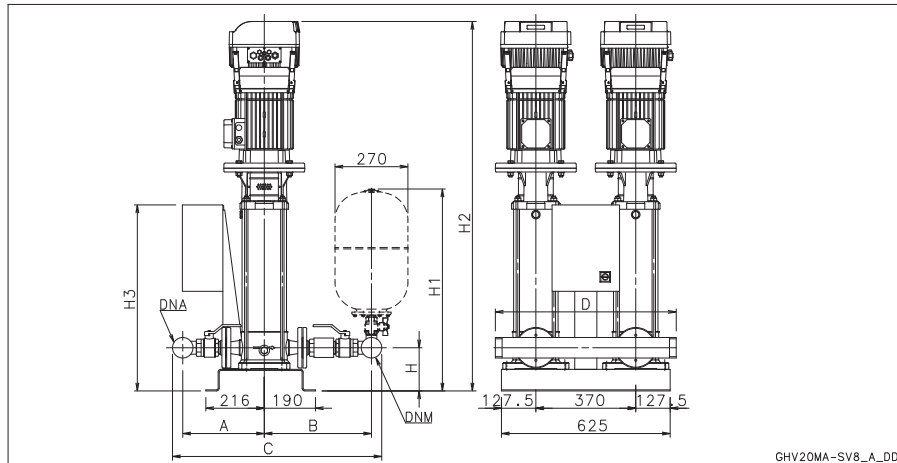
The standard versions of GHV20 series units with vertical electric pumps feature stainless steel manifolds and are of the same size as the /DW version.

Engineered for life



General Catalogue

GHV20 SERIES PRESSURE BOOSTERS – 2 VERTICAL ELECTRIC PUMPS WITH NON-RETURN VALVE ON ELIVERY SIDE THREE-PHASE POWER SUPPLY



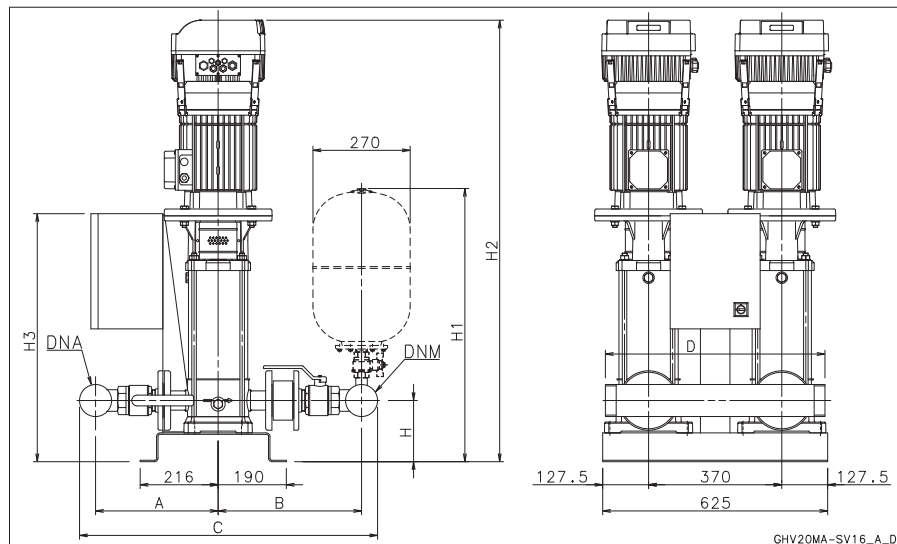
GHV20MA-SV8_A_DD

GHV 20	DNA	DNM	A		B		C		D	H	H1	H2	H3
			STD/DW	AISI	STD/DW	AISI	STD/DW	AISI					
SV811F55T	R 2"1/2	R 2"1/2	302	356	397	497	886	986	610	160	748	1384	689

Dimensions in mm Tolerance ± 10 mm.

ghv20_sv8_a_td

6



GHV20MA-SV16_A_DD

GHV 20	DNA	DNM	A		B		C		D	H	H1	H2	H3
			STD/DW	AISI	STD/DW	AISI	STD/DW	AISI					
SV1602F22T	R 3"	R 3"	341	423	398	466	827	977	610	170	765	911	689
SV1603F30T	R 3"	R 3"	341	423	398	466	827	977	610	170	765	999	689
SV1604F40T	R 3"	R 3"	341	423	398	466	827	977	610	170	765	1041	689
SV1605F55T	R 3"	R 3"	341	423	398	466	827	977	610	170	765	1166	689
SV1606F55T	R 3"	R 3"	341	423	398	466	827	977	610	170	765	1204	689
SV1607F75T	R 3"	R 3"	341	423	398	466	827	977	610	170	765	1242	689
SV1608F75T	R 3"	R 3"	341	423	398	466	827	977	610	170	765	1280	689

Dimensions in mm Tolerance ± 10 mm.

ghv20_sv16_a_td

Engineered for life