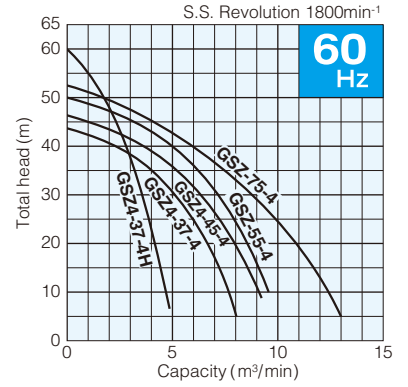
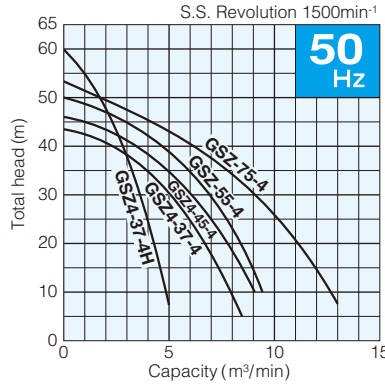


# GSZ-4

Equipped with a 4-pole motor, the pumps in this series display their true virtues where a massive amount of water must be drained in a very short period of time.



## Performance Curves



## Specifications 50/60Hz

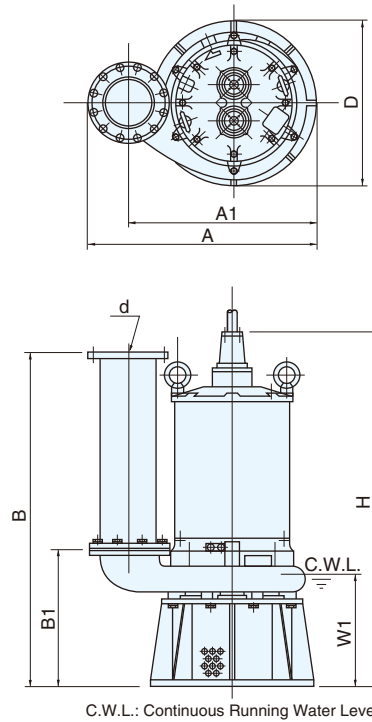
Discharge Bore mm	Model	Motor Output kW	Phase	Total Head m	Capacity m³/min	Starting Method	Dry Weight kgs	Length of Cable m
150	GSZ4-37-4H	37	Three-phase	45	2.0	Star-Delta	730	10
200	GSZ4-37-4	37	Three-phase	35	4.0	Star-Delta	710	10
200	GSZ4-45-4	45	Three-phase	35	5.0	Star-Delta	770	10
250	GSZ-55-4	55	Three-phase	35	6.0	Star-Delta	1150	10
250	GSZ-75-4	75	Three-phase	40	6.0	Star-Delta	1200	10

•Dry weight of the pump excluding cable.

## Major Standard Specifications

Item		Discharge size mm		
		150	200	250
Pumping fluid	Type of fluid	Rain water, Ground water, Sand laden water		
	Liquid temperature	0~40°C		
Pump	Components	Impeller	Closed	
		Shaft seal	Double mechanical seal	
		Bearing	Shielded ball bearing	
	Materials	Impeller	Chromium iron casting, Stainless steel casting (GSZ4-37-4H & GSZ-75-4)	
		Casing	Gray iron casting	
		Suction cover	Gray iron casting	
Shaft seal	Silicon carbide			
Motor	Type, poles	Dry-type submersible induction motor, 4 poles		
	Insulation	Class F (37~45kW) Class E (55~75kW)		
	Phase / Voltage	Three-phase / 220V, 380V, 400V, 415V, 440V, 460V, 525V, 575V		
	Motor protector(built-in)	Miniature protector		
	Lubricant	Turbine oil (ISO VG32)		
	Materials	Frame	Gray iron casting	
Shaft		420 stainless steel		
Cable		Chloroprene rubber		
Discharge connection		JIS10K Flange		

## Dimensions



C.W.L.: Continuous Running Water Level

## Standard Accessories

- Cabtyre cable 2 pc
- Discharge pipe (JIS10K Flange) 1pc

## Optional Specifications

- Extended cable
- Special paint

Model	d	A	A1	B	B1	D	H	W1
GSZ4-37-4H	150	900	760	1400	520	700	1501	440
GSZ4-37-4	200	915	750	1403	550	660	1531	480
GSZ4-45-4	200	915	750	1403	600	660	1591	460
GSZ-55-4	250	1050	850	1500	655	708	1733	510
GSZ-75-4	250	1050	850	1500	655	708	1733	510

Unit:mm