



Excellent durability secured by Tsurumi's long pump-making experience renders these pumps multipurpose ranging from construction work to installation in facilities.

Major Standard Specifications

Item	Discharge bore (mm)		50	80
	Pumping fluid	Type of fluid	Rain water, Ground water, Sand carrying water	
Pump	Liquid temperature		0 ~ 40°C	
	Components	Impeller	Semi-vortex	
		Shaft seal	Double mechanical seal	
		Bearing	Shielded ball bearing	
	Materials	Impeller	Synthetic rubber(0.75kW) Ductile iron casting	
		Casing	Synthetic rubber	
Shaft seal (mechanical seal)		Silicon carbide		
Motor	Type, Poles		Dry-type submersible induction motor, 2 poles	
	Insulation		Class E	
	Phase / Voltage		Three-phase / 220V, 380V, 400V, 415V, 440V, 460V	
	Motor protector(Built-in)		Circle thermal protector	
	Lubricant		Turbine oil (ISO VG32)	
	Materials	Frame	Aluminum alloy casting	
Shaft		Stainless steel #420 / #403		
Cable		PVC Chloroprene rubber		
Discharge connection		Hose coupling		

Standard Accessories

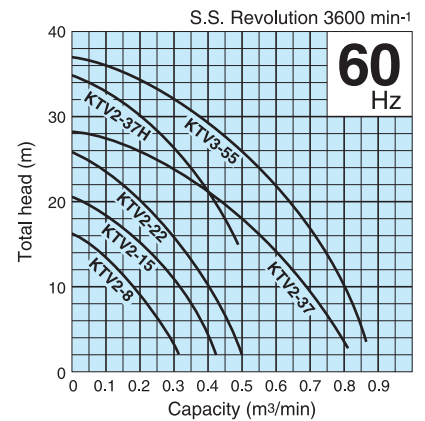
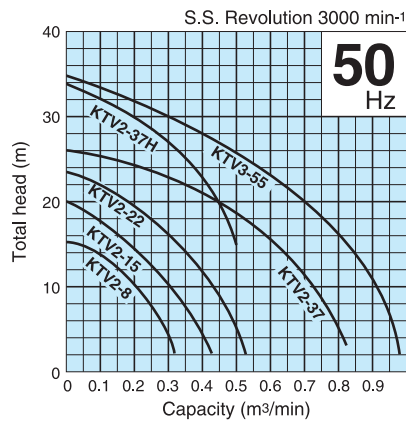
- Cabtyre cable 1 pc
- Hose coupling 1 pc
- Hose band (0.75kW only)..... 1 pc

Optional Specifications

- Extended cable
- Special paint



Performance Curves



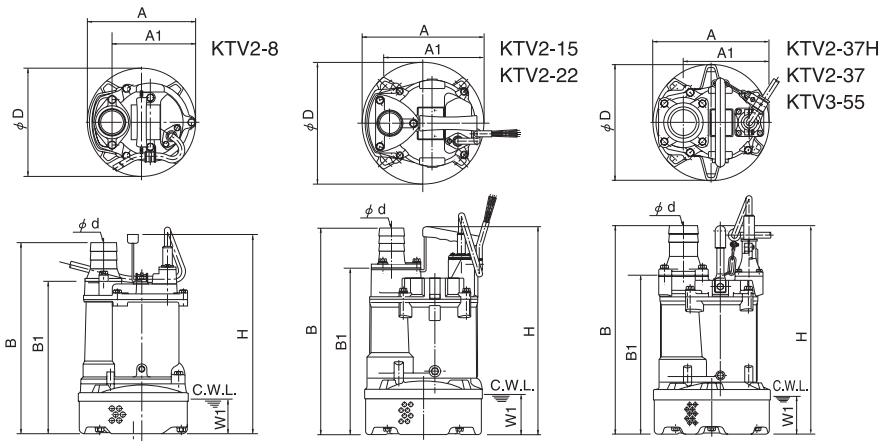
Specifications 50/60Hz

Discharge Bore mm	Model	Motor Output kW	Phase	Total Head m	Capacity m³/min	Starting Method	Dry Weight kgs	Length of Cabtyre Cable m
50	KTV2-8	0.75	Three-phase	10	0.18	D.O.L.	11.5	5
50	KTV2-15	1.5	Three-phase	15	0.20	D.O.L.	20.5	8
50	KTV2-22	2.2	Three-phase	20	0.20	D.O.L.	23.0	8
50	KTV2-37H	3.7	Three-phase	30	0.20	D.O.L.	35.0	8
80	KTV2-37	3.7	Three-phase	18	0.50	D.O.L.	36.0	8
80	KTV3-55	5.5	Three-phase	22	0.60	D.O.L.	46.5	8

• Dry weight of the pump excluding cable.

Dimensions Unit:mm

C.W.L.: Continuous Running Water Level



Model	d	A	A1	B	B1	D	H	W1
KTV2-8	50	200	155	353	281	200	369	65
KTV2-15	50	240	187	392	310	240	396	80
KTV2-22	50	240	187	412	330	240	416	80
KTV2-37H	50	285	211	510	387	285	510	90
KTV2-37	80	285	211	510	387	285	510	90
KTV3-55	80	300	229	545	422	300	545	90