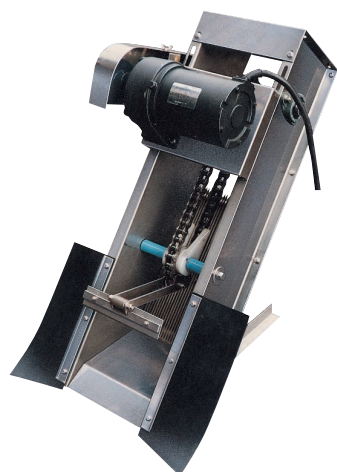


KM KMA

The KM/KMA-series are rear-type mechanical bar screens in which major parts are made of 304 stainless steel. The chain and sprocket do not come in contact with the liquid that prevents sticking of solids to the rotating parts. Being a self-standing design, it can be directly installed to an U-shaped waterway.



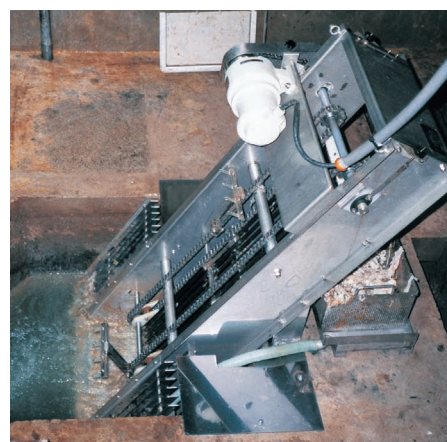
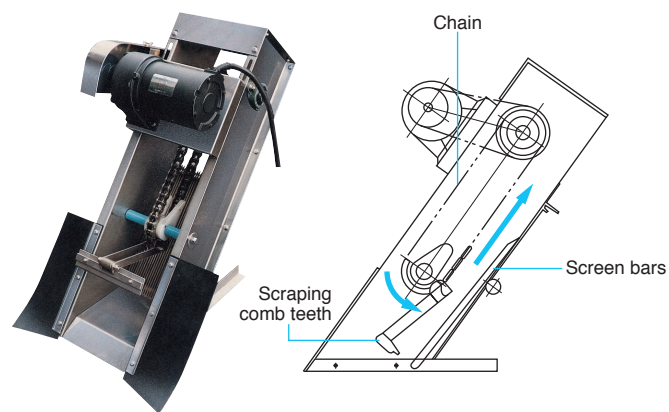
Applications

- Screening suspended solid from wastewater at small-scale wastewater facility

Major Standard Specifications

Rear Screen Type		Wastewater and Sewage	
Treating Fluid		0 to 40°C	
Ambient Temperature		304 Stainless Steel	
Structure	Materials	Screen Bar	304 Stainless Steel
		Rake	304 Stainless Steel
		Chain and Sprocket	304 Stainless Steel
		Frame	304 Stainless Steel
Phase		Three-phase	
Motor		Totally-enclosed (IP57) Geared Motor	

Rear Screen Type



Standard Specifications

Fine Screens (Bar Spacing: 1~2.5mm, 5mm)

Fine screens with a bar spacing from 1mm to 5mm. Ideal to remove very small matter securely and efficiently.

Type	Model	Motor Output kW	Bar Spacing mm				Overall Height mm	Width of Water Way mm	Installation Angle	Weight kgs
			Capacity m ³ /h							
			1.0	2.0	2.5	5.0				
Rear Screen Type	KM-200S	0.1	—	25	28	39	720	300 ~ 400	55°	33
	KM-200M	0.1	—	25	28	39	910	300 ~ 400	55°	37
	KM-200L	0.1	—	25	28	39	1110	300 ~ 400	55°	40
	KM-250S	0.1	—	32	38	53	720	350 ~ 450	55°	34
	KM-250M	0.1	—	32	38	53	910	350 ~ 450	55°	38
	KM-250L	0.1	—	32	38	53	1110	350 ~ 450	55°	41
	KM-300S	0.1	—	40	46	64	720	400 ~ 500	55°	35
	KM-300M	0.1	—	40	46	64	910	400 ~ 500	55°	39
	KM-300L	0.1	—	40	46	64	1110	400 ~ 500	55°	42
	KMS-300S	0.1	—	—	—	63	870	400 ~ 500	60°	42
	KMS-300M	0.1	—	—	—	63	1215	400 ~ 500	60°	50
	KMS-300L	0.1	—	—	—	63	1560	400 ~ 500	60°	57

Coarse Screens (Bar Spacing: 10~50mm)

Coarse screens with a bar spacing of 10mm to 50mm. These screens are efficient when used before a fine screen.

Type	Model	Motor Output kW	Bar Spacing mm					Overall Height mm	Width of Water Way mm	Installation Angle	Weight kgs
			Capacity m ³ /h								
			10	20	30	40	50				
Rear Screen Type	KMA-200S	0.1	38	45	47	49	50	720	300 ~ 400	55°	33
	KMA-200M	0.1	38	45	47	49	50	910	300 ~ 400	55°	37
	KMA-200L	0.1	38	45	47	49	50	1110	300 ~ 400	55°	40
	KMA-250S	0.1	48	56	59	61	62	720	350 ~ 450	55°	34
	KMA-250M	0.1	48	56	59	61	62	910	350 ~ 450	55°	38
	KMA-250L	0.1	48	56	59	61	62	1110	350 ~ 450	55°	41
	KMA-300S	0.1	58	67	71	74	79	720	400 ~ 500	55°	35
	KMA-300M	0.1	58	67	71	74	79	910	400 ~ 500	55°	39
	KMA-300L	0.1	58	67	71	74	79	1110	400 ~ 500	55°	42
	KMS-300S	0.1	75	89	89	95	100	870	400 ~ 500	60°	42
	KMS-300M	0.1	75	89	89	95	100	1215	400 ~ 500	60°	50
	KMS-300L	0.1	75	89	89	95	100	1560	400 ~ 500	60°	57

- Capacity in terms of the maximum amount of clean water.
- Consult if a screen is to be installed in a channel with width exceeding those listed on the table.
- When ordering, please specify the desired bar spacing value together with the necessary model name.