

C 50 • 80mm

The C-series incorporates a channel impeller with cutter mechanism. A sintered tungsten carbide alloy tip is brazed on the impeller vane and rotates on the serrated part of the suction cover. This mechanism cuts fibrous matters flowed into the impeller and discharge them.



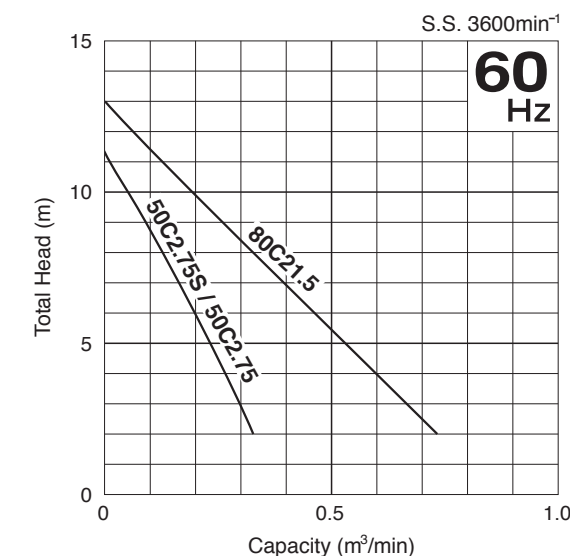
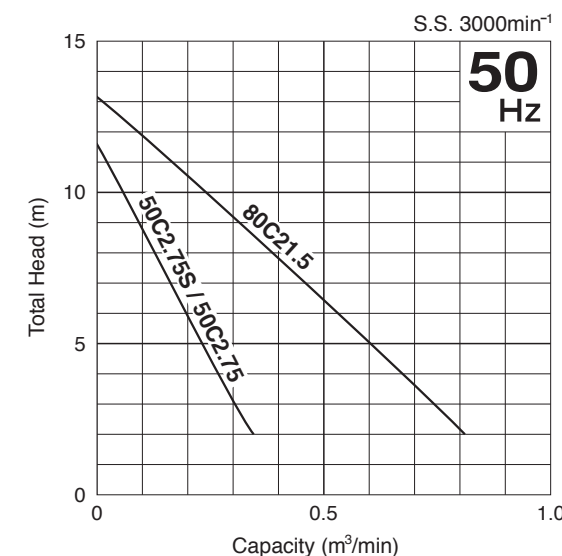
Free Standing

Guide Rail Fitting

Major Standard Specifications

Discharge Bore	mm	50	80	
Pumping Fluid	Type of Fluid	Wastewater, and Liquid carrying Waste and Solid Matters		
	Fluid Temperature	0 to 40°C		
Pump	Structure	Impeller	Channel Impeller with Cutter Mechanism	
		Shaft Seal	Double Mechanical Seal with Oil Lifter	
		Bearing	Double-shielded Ball Bearing	
	Materials	Impeller	Gray Iron Casting	
		Casing	Gray Iron Casting	
		Suction Cover	Ductile Iron Casting	
Shaft Seal	SiC			
Motor	Type, Pole	Dry Type Submersible Induction Motor 2-pole		
	Class of Insulation	Class E Class F (1.5kW only)		
	Phase	Single-phase (suffix "S") Three-phase		
	Starting Method	Capacitor Start (single-phase only) Direct on Line		
	Protection Device (built-in)	Circle Thermal Protector		
	Lubricant	Turbine Oil (ISO VG32)		
	Materials	Frame	Gray Iron Casting	
		Shaft	420 Stainless Steel	
Cable		PVC		
Discharge Connection	Screwed Flange			

Performance Curves



* Standard, Automatic and Auto-Alternation models have the identical performance.

Standard Specifications

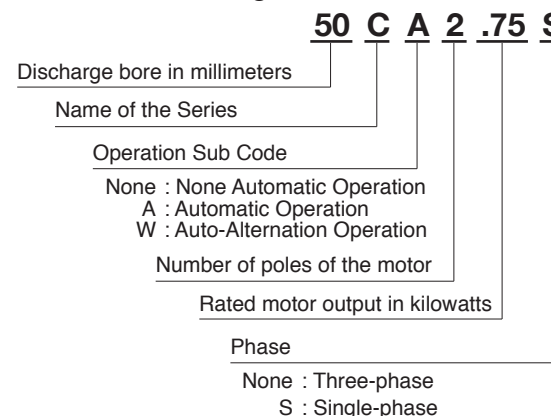
Discharge Bore mm	Standard Model			Automatic Model			Auto-Alternation Model			Motor Output kW	Starting Method	Speed (S.S.) 50Hz/60Hz min ⁻¹	Impeller Passage 50Hz/60Hz mm	Dry Weight * kgs				Cabtyre Cable						
	Free Standing	Guide Rail Fitting		Free Standing	Guide Rail Fitting		Free Standing	Guide Rail Fitting						Standard Model		Automatic & Auto-Alternation Model		No. of Cables	200 ~ 240 V		380 ~ 575 V		Length m	Material
		TOS	TS		TOS	TS		TOS	TS					Free Standing	Guide Rail Fitting	Free Standing	Guide Rail Fitting		Cores × mm ²	Outer Dia. mm	Cores × mm ²	Outer Dia. mm		
50	50C2.75S	TOS50C2.75S	TS50C2.75S	50CA2.75S	TOS50CA2.75S	TS50CA2.75S	—	—	—	0.75	Capacitor	3000/3600	31x27/28x27	32	30	34	32	1	3 × 2.0	10.9	3 × 1.25	10.1	5	PVC
50	50C2.75	TOS50C2.75	TS50C2.75	50CA2.75	TOS50CA2.75	TS50CA2.75	50CW2.75	TOS50CW2.75	TS50CW2.75	0.75	D.O.L	3000/3600	31x27/28x27	24	23	25	24	1	4 × 1.25	11.1	4 × 1.25	11.1	6	PVC
80	80C21.5	TOS80C21.5	TS80C21.5	80CA21.5	TOS80CA21.5	TS80CA21.5	80CW21.5	TOS80CW21.5	TS80CW21.5	1.5	D.O.L	3000/3600	43x60/37x60	36	36	40	39	1	4 × 1.25	11.1	4 × 1.25	11.1	6	PVC

* Dry weight
All weights excluding cable
Weights of guide rail fitting excluding duckfoot bend

Applications

- Transferring sewage and wastewater to wastewater treatment plant
- Draining wastewater from industrial plant
- Draining effluent from residence, hotel, commercial complex, etc

Model Number Designation



Standard Accessories

Free Standing

- Discharge Bend (with Packing & Bolts)
- Screwed Flange

Guide Rail Fitting - TOS

- Lifting Chain 5m, (with Shackles)
- Guide Support (with Bolts & Nuts)
- Guide Hook (with Bolts)
- Duckfoot Bend
- Guide Connector (with Bolts)
- JIS 10kg/cm² Flange (with Packing, Bolts & Nuts)
- Foundation Bolts (with Nuts)

Guide Rail Fitting - TS

- Lifting Chain 5m, (with Shackles)
- Guide Support (with Bolts & Nuts)
- Guide Hook (with Bolts)
- Duckfoot Bend
- Guide Connector (with Bolts)

C 100mm

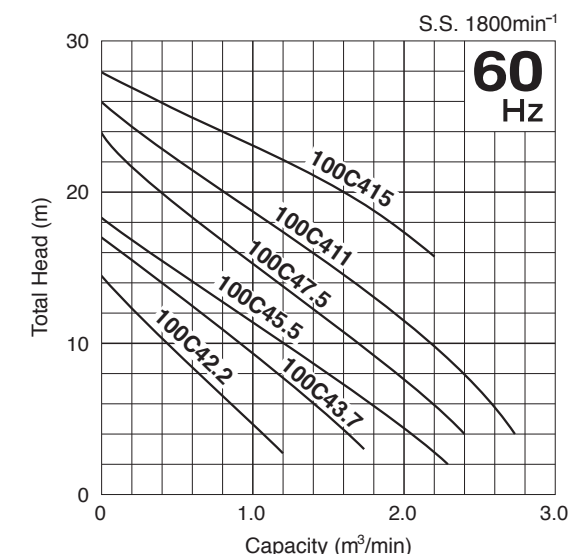
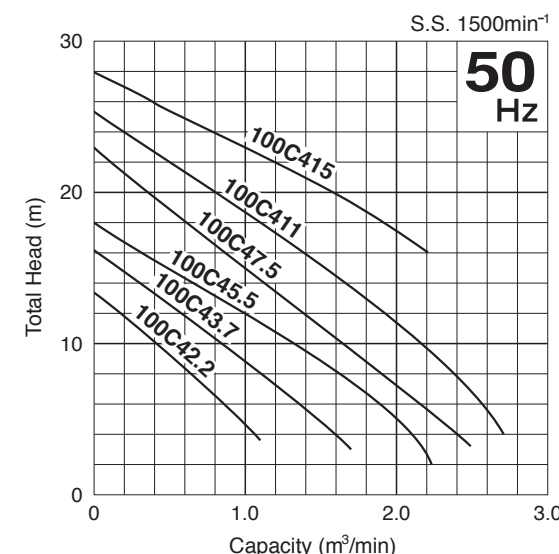
The C-series incorporates a channel impeller with cutter mechanism. A sintered tungsten carbide alloy tip is brazed on the impeller vane and rotates on the serrated part of the suction cover. This mechanism cuts fibrous matters flowed into the impeller and discharge them.



Applications

- Transferring sewage and wastewater to wastewater treatment plant
- Draining wastewater from industrial plant
- Draining effluent from residence, hotel, commercial complex, etc

Performance Curves



Major Standard Specifications

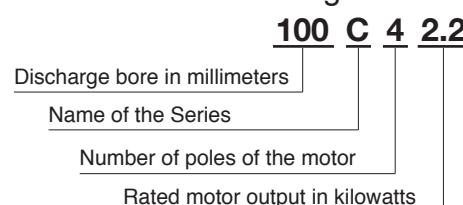
Discharge Bore		mm	100	
Pumping Fluid	Type of Fluid	Wastewater, and Liquid carrying Waste and Solid Matters		
	Fluid Temperature	0 to 40°C		
Pump	Structure	Impeller	Channel Impeller with Cutter Mechanism	
		Shaft Seal	Double Mechanical Seal with Oil Lifter	
		Bearing	Double-shielded Ball Bearing	
	Materials	Impeller	Gray Iron Casting	
		Casing	Gray Iron Casting	
		Suction Cover	Ductile Iron Casting	
Shaft Seal	SiC			
Motor	Type, Pole	Dry Type Submersible Induction Motor 4-pole		
	Class of Insulation	Class E (3.7kW and below) Class F (5.5kW and above)		
	Phase	Three-phase		
	Starting Method	Direct on Line (7.5kW and below) Star-delta (11kW and above)		
	Protection Device (built-in)	Circle Thermal Protector (7.5kW and below) Miniature Thermal Protector (11kW and above)		
	Lubricant	Turbine Oil (ISO VG32)		
	Materials	Frame	Gray Iron Casting	
		Shaft	420 Stainless Steel	
Cable		PVC (3.7kW and below) Chloroprene Rubber (5.5kW and above)		
Discharge Connection		JIS 10K Flange		

Standard Specifications

Discharge Bore mm	Model			Motor Output kW	Starting Method	Speed (S.S.) 50Hz/60Hz min ⁻¹	Impeller Passage 50Hz/60Hz mm	Dry Weight* kgs		Cabtyre Cable						
	Free Standing	Guide Rail Fitting						Free Standing	Guide Rail Fitting	No. of Cables	200 ~ 240 V		380 ~ 575 V		Length m	Material
		TOS	TS								Cores × mm ²	Outer Dia. mm	Cores × mm ²	Outer Dia. mm		
100	100C42.2	TOS100C42.2	TS100C42.2	2.2	D.O.L	1500/1800	67×56/62×56	68	64	1	4×2.0	11.8	4×2.0	11.8	6	PVC
100	100C43.7	TOS100C43.7	TS100C43.7	3.7	D.O.L	1500/1800	70×81/64×81	84	80	1	4×3.5	13.9	4×2.0	11.8	6	PVC
100	100C45.5	TOS100C45.5	TS100C45.5	5.5	D.O.L	1500/1800	82×68/68×68	142	135	1	4×3.5	14.1	4×3.5	14.1	8	Chloroprene Rubber
100	100C47.5	TOS100C47.5	TS100C47.5	7.5	D.O.L	1500/1800	76×69/71×68	155	148	1	4×5.5	16.8	4×5.5	16.8	8	Chloroprene Rubber
100	100C411	TOS100C411	TS100C411	11	Star-Delta	1500/1800	82×75/87×75	178	171	3	4×3.5 3×3.5 2×1.25	14.1 12.9 9.8	4×3.5 3×3.5 2×1.25	14.1 12.9 9.8	8	Chloroprene Rubber
100	100C415	TOS100C415	—	15	Star-Delta	1500/1800	87×45/77×40	322	315	3	4×5.5 3×5.5 2×1.25	16.8 15.2 9.8	4×5.5 3×5.5 2×1.25	16.8 15.2 9.8	8	Chloroprene Rubber

* Dry weight
All weights excluding cable
Weights of guide rail fitting excluding duckfoot bend

Model Number Designation



Standard Accessories

Free Standing

- Discharge Bend (with Packing & Bolts)
- JIS 10kg/cm² Flange (with Packing, Bolts & Nuts)

Guide Rail Fitting - TOS

- Lifting Chain 5m, (with Shackles)
- Guide Support (with Bolts & Nuts)
- Guide Hook (with Bolts)
- Duckfoot Bend
- Guide Connector (with Bolts)
- JIS 10kg/cm² Flange (with Packing, Bolts & Nuts)
- Foundation Bolts (with Nuts)

Guide Rail Fitting - TS

- Lifting Chain 5m, (with Shackles)
- Guide Support (with Bolts & Nuts)
- Guide Hook (with Bolts)
- Duckfoot Bend
- Guide Connector (with Bolts)