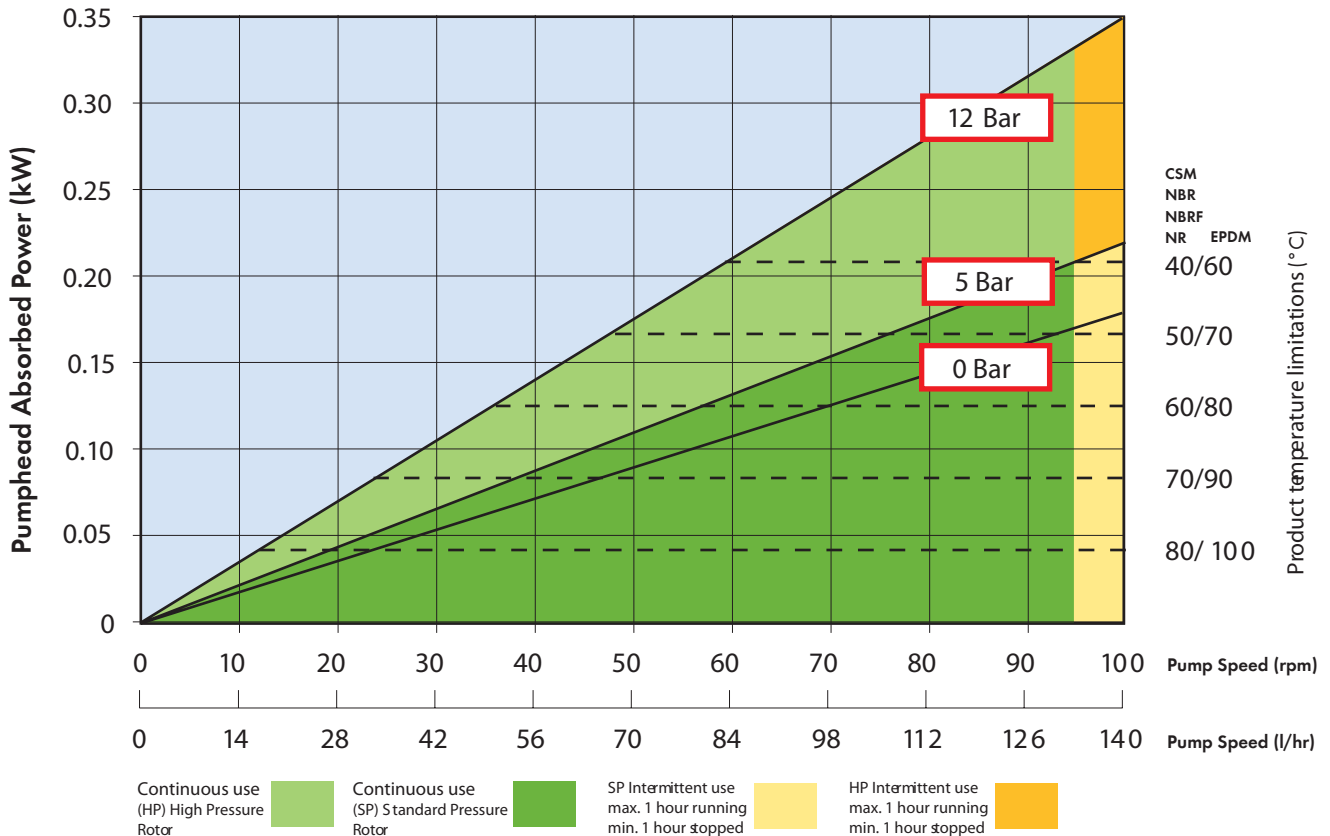


Verderflex® Dura 10 Technical Data Sheet

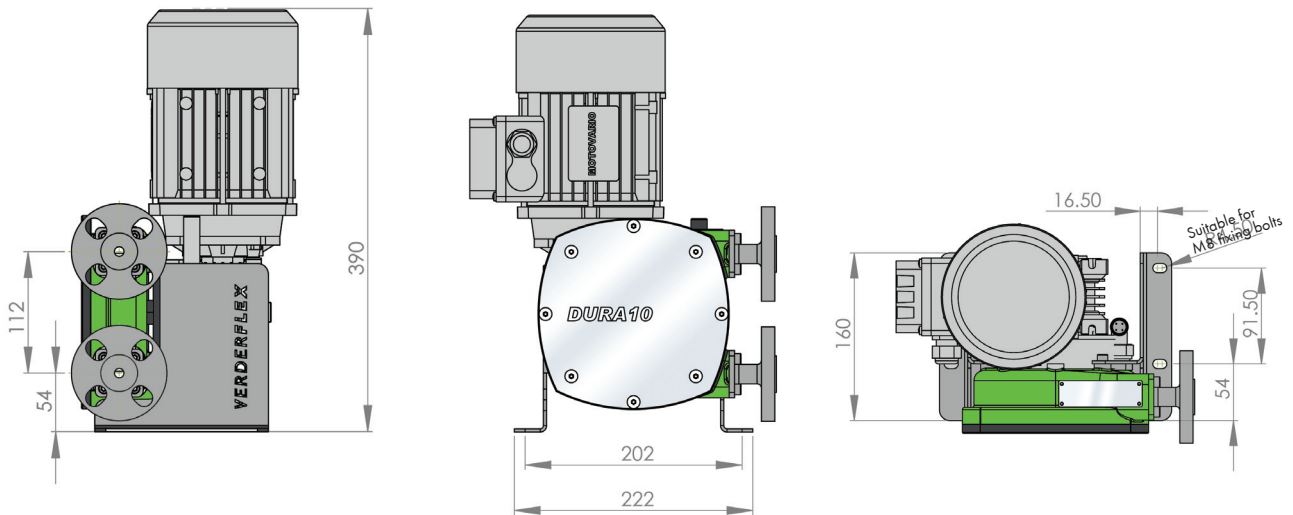
0.0232 l/rev



Description	Material	Description	Material
Pump housing	Cast Steel ASTM A216: WCB (RAL 6018 - Green)	Torque arm	EN10025 Structural Steel (RAL 7021)
Front cover	Polycarbonate	Bearing	Stainless Steel Grade EN1.4125 (440c)
Rotor	Cast Aluminium LM25 Option: Cast Iron GG25	Shaft seal	Viton Option: PTFE
Drive shaft	EN24T Steel	Lubricant	Verderlube - Glycerine based lubricant Verdersil - Silicon based lubricant
Flange	Stainless Steel Grade EN.14571(316)	Hose	NR Option: NBR, NBRF, EPDM & CSM
Flange coating (option)	Halar® Anti-Corrosion coating		
Base frame	Powder Coated Mild Steel (RAL 7035 - Grey)		
Weight - Complete pump including drive			19 kg
Motor Mounted Inverter (Optional)			3 kg

Verderflex® Dura 10 Technical Data Sheet

General Assembly Drawing



Please Note: These GA drawings are for guidance only. For mounting drawings please contact an authorised Verderflex® distributor.

Standard Pump Configurations (Including Natural Rubber hose)

Flow l/hr	Pump Speed RPM	Installed Motor Power kW	Part Number Std Rotor (for up to 6 Bar discharge pressure)	Part Number HP Rotor (for up to 8 Bar discharge pressure)
15	11	0.09	136.0000	136.0100
21	15	0.12	136.0010	136.0110
25	18	0.15	136.0020	136.0120
32	23	0.18	136.0030	136.0130
39	28	0.25	136.0040	136.0140
49	35	0.25	136.0050	136.0150
65	47	0.37	136.0060	136.0160
78	56	0.37	136.0070	136.0170
98	70	0.37	136.0080	136.0180
130	93	0.55	136.0090	136.0190

- Standard order options include IP65 protection, ATEX compliant pumps, thermistors and forced fan cooling.
- Dura pumps for discharge pressures over 8 Bar are available to special order

VERDER Ltd

Whitehouse Street, Hunslet, LEEDS, LS10 1AD • Tel: +44 (0)113 222 0250 • Fax: +44 (0)113 222 0291 • info@verderflex.com

Affiliated companies:

A Wien • B Aartselaar • CZ Praha • D Haan • F Eragny s/Oise • GB Leeds • H Budapest • JPN Tokyo
NL Groningen/Vleuten • PL Katowice • RO Bucaresti • SA Johannesburg • USA Newtown

www.verderflex.com