

# Brass and stainless steel rotary vane pumps CO/MO 30-200 series



Find out more

The Compact and Compact Plus series rotary vane pumps are the smallest series of the Rotoflow line of positive displacement pumps. Capable of high performances despite the small size, the Compact and Compact Plus series is the choice when space is an issue.

## Technical features and manufacturing characteristics

The Compact series housing is brass made only, while the Compact Plus series, equipped with ball bearings supporting the rotor, is available in brass or stainless steel AISI 303.

Both are assembled with a stainless steel AISI 303 rotor, carbon graphite pumping chamber and NBR seals. The inlet and outlet ports are 3/8" GAS or NPT threaded. The pumps can be connected to direct coupling motors with a stainless steel clamp.

Maximum operative temperature: 70 °C (158 F).

Available upon request:

- Viton®/EPDM seals
- Built-in relief valve



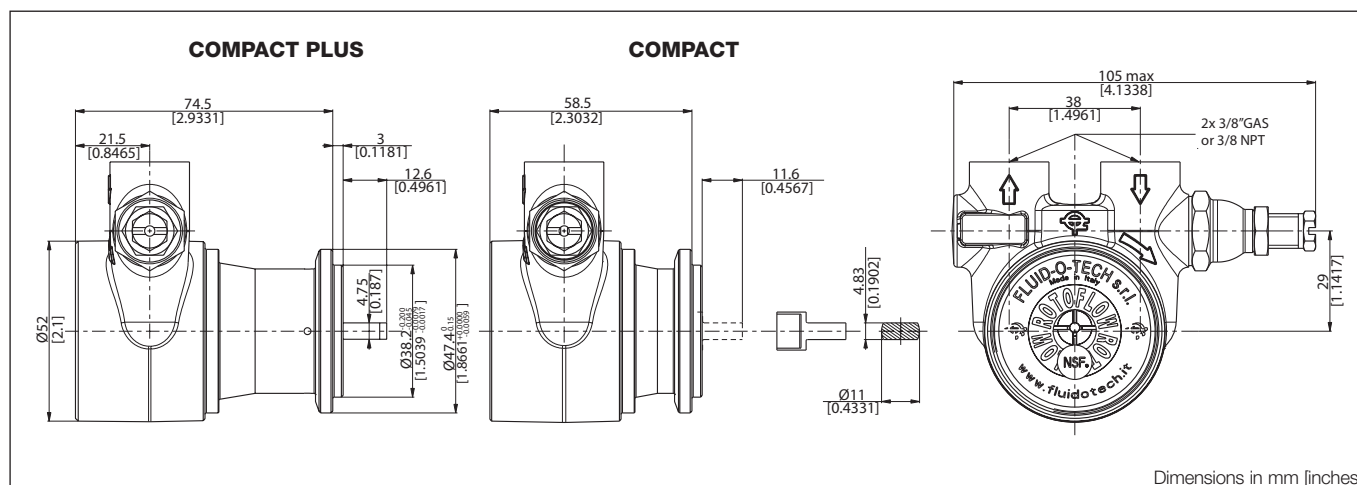
## MAIN APPLICATIONS

- Espresso coffee machines
- Beverage vending machines
- Post mix drink dispensers
- Water treatment
- Water dispenser
- Cooling systems



## TECHNICAL INFORMATION

Pump housing material	Brass or stainless steel	Max static pressure	20 bar/290 psi
Pumping chamber	Graphite	Pump weight	CO 850 g (1.9 lb)
Ports	3/8" GAS or NPT		MO 1 Kg (2.2 lb)
Speed limit	1.725 rpm		



Dimensions in mm [inches]

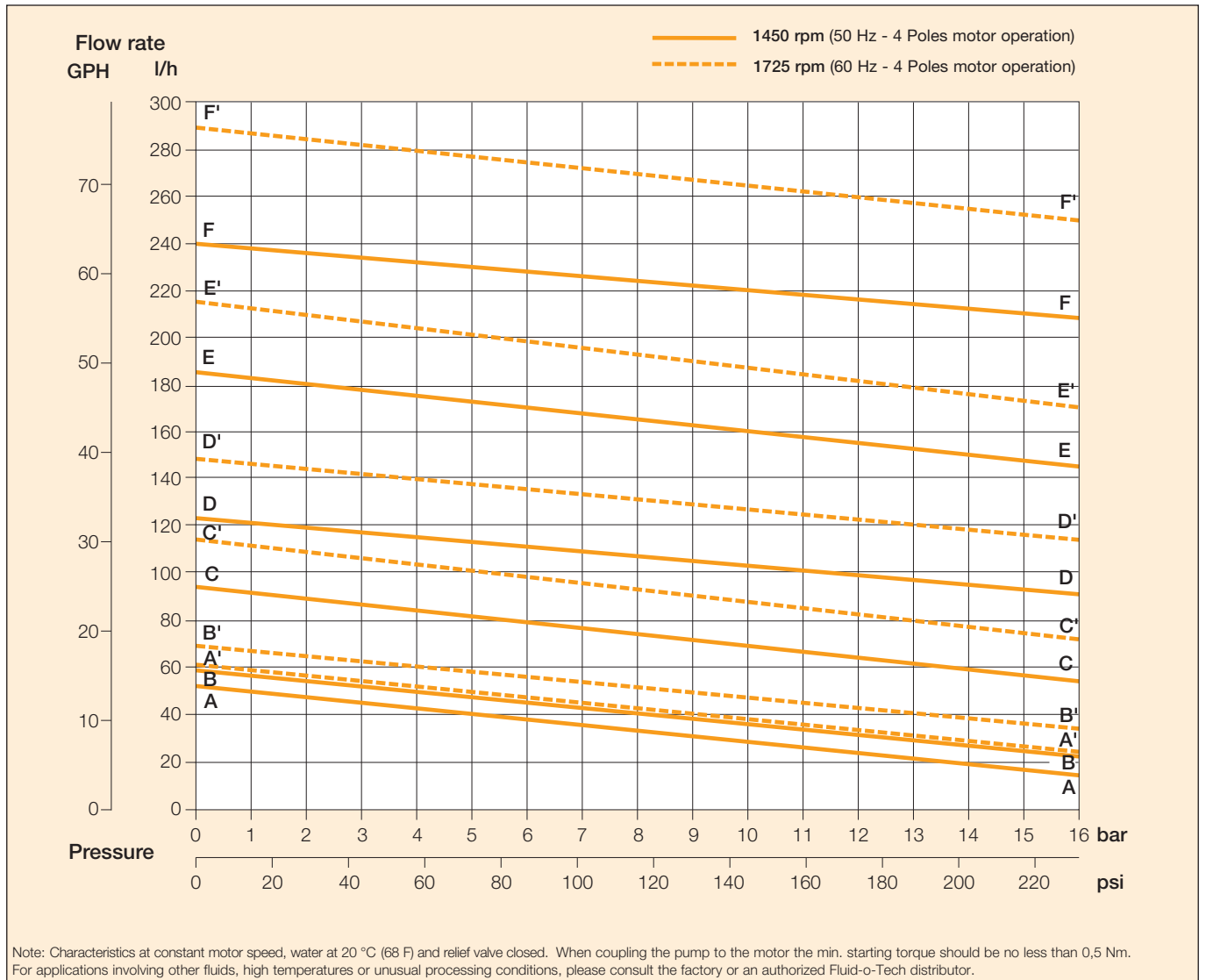
# Brass and stainless steel rotary vane pumps CO/MO 30-200 series

Model CO/CA/CW (Compact)	030 031 034	050 051 054	070 071 074	100 101 104	150 151 154	200 201 204
-----------------------------	-------------	-------------	-------------	-------------	-------------	-------------

Figure	A-A (50 Hz); A'-A' (60 Hz)	B-B (50 Hz); B'-B' (60 Hz)	C-C (50 Hz); C'-C' (60 Hz)	D-D (50 Hz); D'-D' (60 Hz)	E-E (50 Hz); E'-E' (60 Hz)	F-F (50 Hz); F'-F' (60 Hz)
Relief valve	NO STD BAL	NO STD BAL	NO STD BAL	NO STD BAL	NO STD BAL	NO STD BAL

Model MO/MA/MW (Compact Plus)	030 031 034	050 051 054	070 071 074	100 101 104	150 151 154	200 201 204
----------------------------------	-------------	-------------	-------------	-------------	-------------	-------------

Figure	A-A (50 Hz); A'-A' (60 Hz)	B-B (50 Hz); B'-B' (60 Hz)	C-C (50 Hz); C'-C' (60 Hz)	D-D (50 Hz); D'-D' (60 Hz)	E-E (50 Hz); E'-E' (60 Hz)	F-F (50 Hz); F'-F' (60 Hz)
Relief valve	NO STD BAL	NO STD BAL	NO STD BAL	NO STD BAL	NO STD BAL	NO STD BAL



Fluid-o-Tech reserves the right to alter the specifications indicated in this catalogue at any time and without prior notice.

**Fluid-o-Tech srl**  
 Via Leonardo da Vinci, 40  
 20094 Corsico, Milano, Italy  
 Tel. +39 02 9995 01  
 Fax +39 02 9995 0999  
 info@fluidotech.it

**Fluid-o-Tech Int'l Inc.**  
 161 Atwater St.,  
 06479 Plantsville CT (USA)  
 Tel. +1 (860) 276 9270  
 Fax +1 (860) 620 0193  
 info@fluid-o-tech.com

**Fluid-o-Tech Int'l Inc. Japan**  
 203, 2-17-19, Ebara, Shinagawa  
 Tokyo 142-0063, Japan  
 Tel. +81 (0) (3) 3783 9660  
 Fax +81 (0) (3) 3783 9661  
 k.kato@fluidotech.com

**Fluid-o-Tech Asia (Beijing) Co., Ltd**  
 Jingwei Industrial Zone,  
 Beifang Huairou, Beijing, 101400, PRC  
 Tel. +86 (0) (10) 6168 4650  
 Fax +86 (0) (10) 6168 4651  
 info@fluidotech-asia.com