

Magnet drive gear pump-motor units DGM09 series



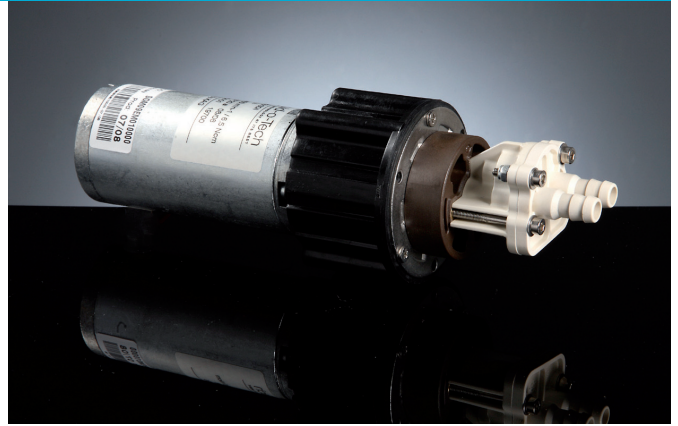
Find out more

The DGM09 series magnet drive gear pumps derive from the well established mag drive MG200 series.

Built to handle clean water and relatively viscous fluids at low pressure, the DGM09 series pump-motor unit has low pulsation and is capable of handling fluids at a maximum temperature of 95 °C (203 F). The pump housing and the gears are made of Vectra. Seals are available in NBR, EPDM or VITON®.

The seal less design is guarantee of reliability. Suction/discharge ports are 8 mm barbed end.

- Motor: 12-24 V DC, 3000 rpm, brush type



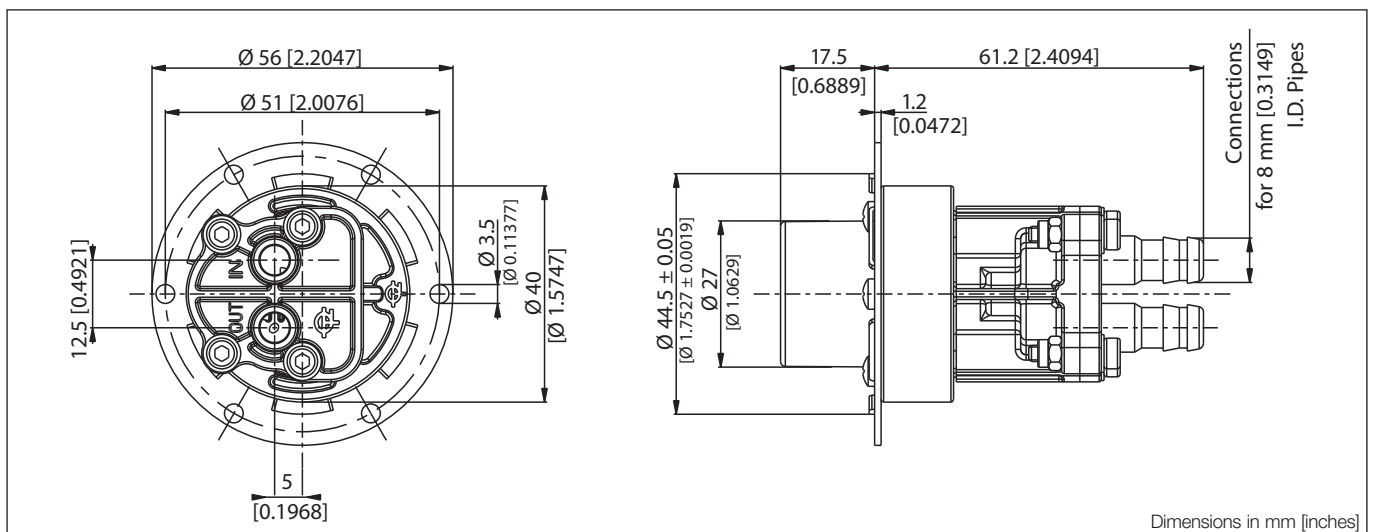
MAIN APPLICATIONS

- Water purification
- Water recirculation
- Laser cooling
- Condensation removal
- Spraying
- Low pressure carbonation

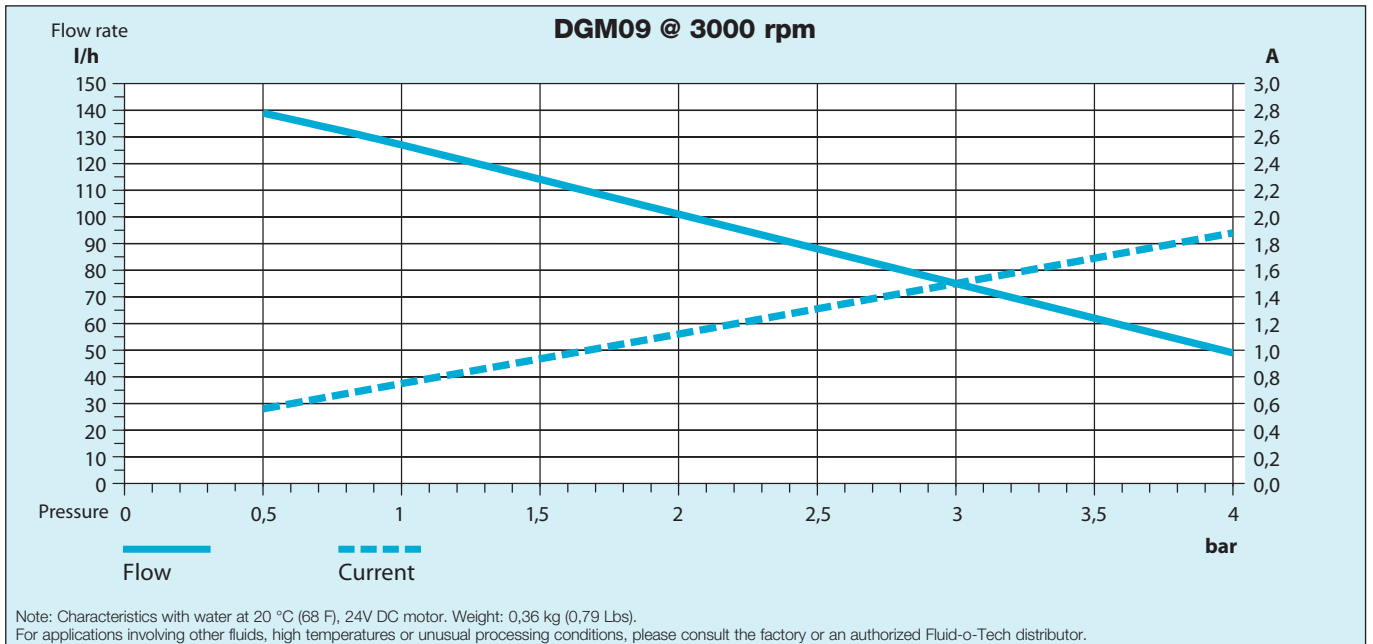


MODEL NUMBER MATRIX

Position	1	2	3	4	Customiz.	POS	DESCRIPTION	CODE
Code	DGM	09	E	M01	0000	1	Pump series	DGM = magnet drive
						2	Gears width thickness	09 = 9 mm
						3	Elastic material	E = EPDM N = NBR V = VITON®
						4	Motor	000 = none M01 = 3000 rpm/24V M03 = 3000 rpm/12V



* Dimensions without motor and adapter



Fluid-o-Tech reserves the right to alter the specifications indicated in this catalogue at any time and without prior notice.

Fluid-o-Tech srl
Via Leonardo da Vinci, 40
20094 Corsico, Milano, Italy
Tel. +39 02 9995 01
Fax +39 02 9995 0999
info@fluidotech.it

Fluid-o-Tech Int'l Inc.
161 Atwater St.,
06479 Plantsville CT (USA)
Tel. +1 (860) 276 9270
Fax +1 (860) 620 0193
info@fluid-o-tech.com

Fluid-o-Tech Int'l Inc. Japan
203, 2-17-19, Ebara, Shinagawa
Tokyo 142-0063, Japan
Tel. +81 (0) (3) 3783 9660
Fax +81 (0) (3) 3783 9661
k.kato@fluidotech.com

Fluid-o-Tech Asia (Beijing) Co., Ltd
Jingwei Industrial Zone,
Beifang Huairou, Beijing, 101400, PRC
Tel. +86 (0) (10) 6168 4650
Fax +86 (0) (10) 6168 4651
info@fluidotech-asia.com