



# Ran® 1/2" (12.7 mm)

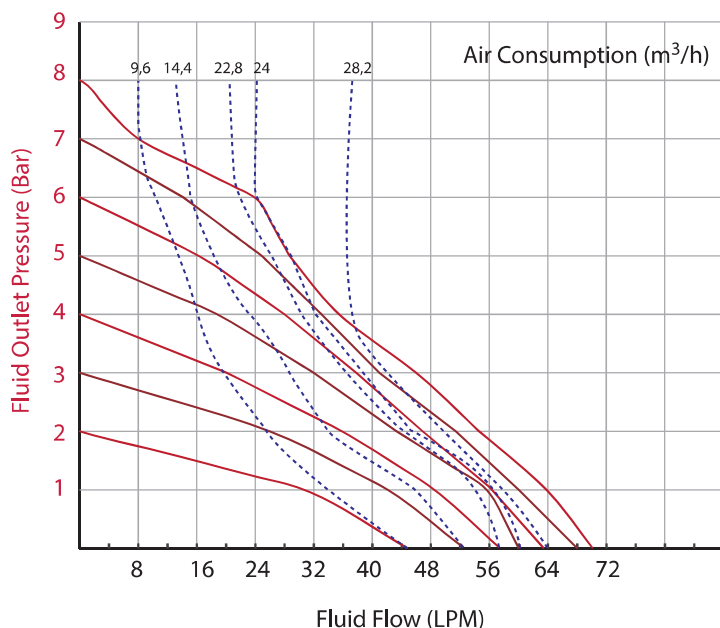
## Cast 316 SS Body Diaphragm Pump



### Technical Specifications

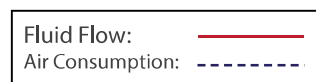
Pump Code	B15-SCX-1	Pump Housing Material	316 Cast Stainless Steel
Max. Flow Rate	70.2 lpm	Center Section Material	Polypropylene
Max. Pump Speed	400 cpm	Max. Size Pumpable Solids	2 mm
Displacement per cycle	0.175 liter	Max. Suction Lift	4 m
Fluid Inlet- Outlet Size	1/2"	Max. Operating Temperature	105 °C
Air Inlet Size	1/4"	Sound Level	74 dBa (at 5 bar)
Max. Fluid Working Pressure	8 bar	Diaphragm Options	Santoprene - PTFE- BunaN- Viton
Max. Air Consumption	0.44 m <sup>3</sup> /min	Weight	7 kg

### Performance Curves



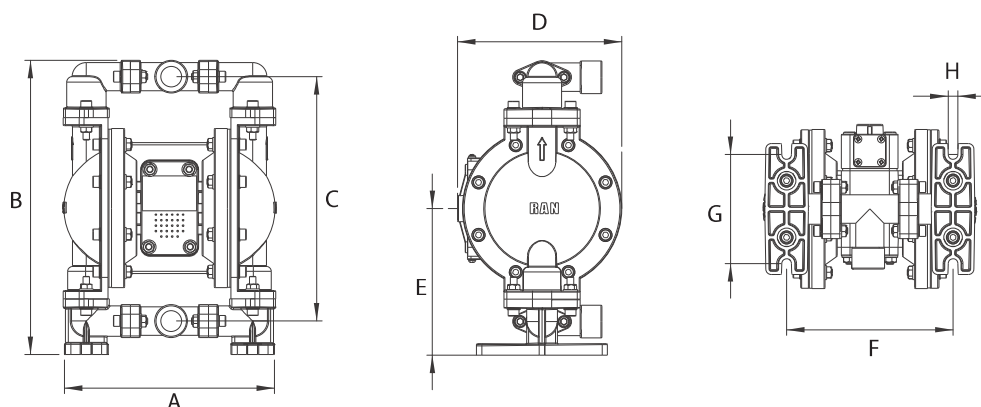
**Test Conditions:** All tests are made with using water and Santoprene diaphragm. Suction hose submerged in the fluid. Muffler not used. If using PTFE diaphragm, capacity decreases by 10%. All the values are shown are approximate and not binding.

**Example:** To pump 45lpm against a discharge pressure of 2.7 bar, requires 7 bar and 28.2 m<sup>3</sup>/h air consumption.



### Dimensions

A	192.5
B	270
C	224
D	150.5
E	135
F	152
G	100
H	9



All dimensions are in mm.