



Ran® 1" (25.4 mm)

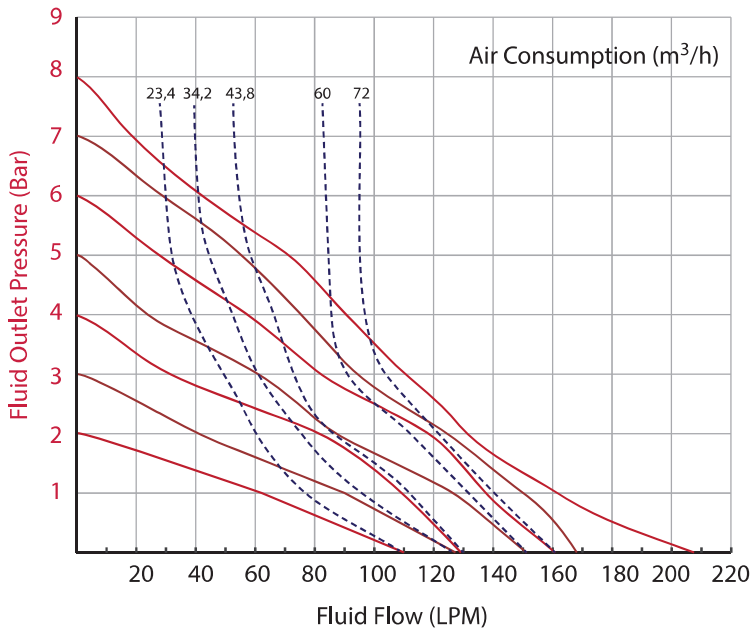
Cast 316 SS Body Diaphragm Pump



Technical Specifications

Pump Code	D25-SCX-2	Pump Housing Material	316 Stainless Steel
Max. Flow Rate	208.8 lpm	Center Section Material	Polypropylene
Max. Pump Speed	280 cpm	Max. Size Pumpable Solids	3 mm
Displacement per cycle	0.74 liter	Max. Suction Lift	5 m
Fluid Inlet- Outlet Size	1"	Max. Operating Temperature	105 °C
Air Inlet Size	3/8"	Sound Level	78 dBA (at 5 bar)
Max. Fluid Working Pressure	8 bar	Diaphragm Options	Santoprene - PTFE- BunaN- Viton
Max. Air Consumption	1.04 m ³ /min	Weight	18 kg

Performance Curves

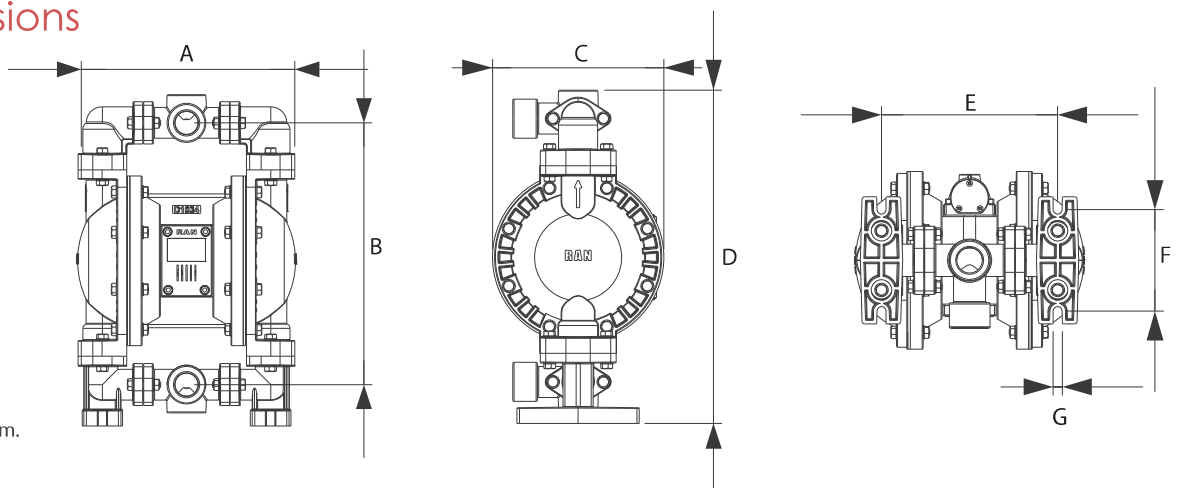


Test Conditions: All tests are made with using water and Santoprene diaphragm. Suction hose submerged in the fluid. Muffler not used. If using PTFE diaphragm, capacity decreases by 10%. All the values are shown are approximate and not binding.

Example: To pump 120 lpm against a discharge pressure of 2.1 bar, requires 7 bar and 60 m³/h air consumption.

Dimensions

A	268
B	323
C	210
D	410
E	208
F	120
G	10.5



All dimensions are in mm.