

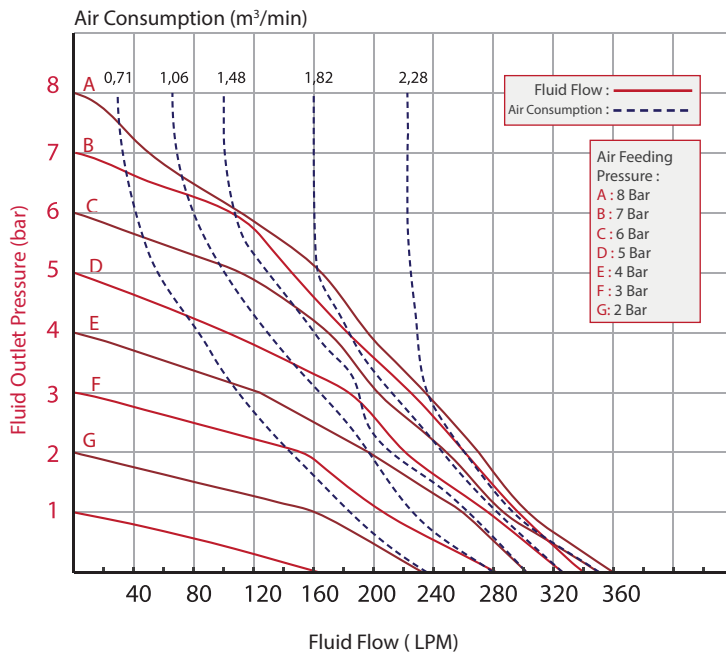
Cast Iron Body Diaphragm Pump



Technical Specifications

Pump Code	E40M-C0-1	Pump Housing Material	Cast Iron
Max. Flow Rate	360 lpm	Center Section Material	Aluminium
Max. Pump Speed	200 cpm	Max. Size Pumpable Solids	4.5 mm
Displacement per cycle	1.8 liter	Max. Suction Lift	9.5 m (Wet) 5 m (Dry)
Fluid Inlet- Outlet Size	1 1/2" NPT	Max. Operating Temperature	82 °C
Air Inlet Size	1/2"	Sound Level	78 dBa (at 5 bar)
Max. Fluid Working Pressure	8 bar	Diaphragm Material	Buna-N
Max. Air Consumption (at 5 bar)	1.82 m ³ /min	Check-Valve Material	Buna-N
Ratio	1:1	Weight	41 kg

Performance Curves



Made in Turkey

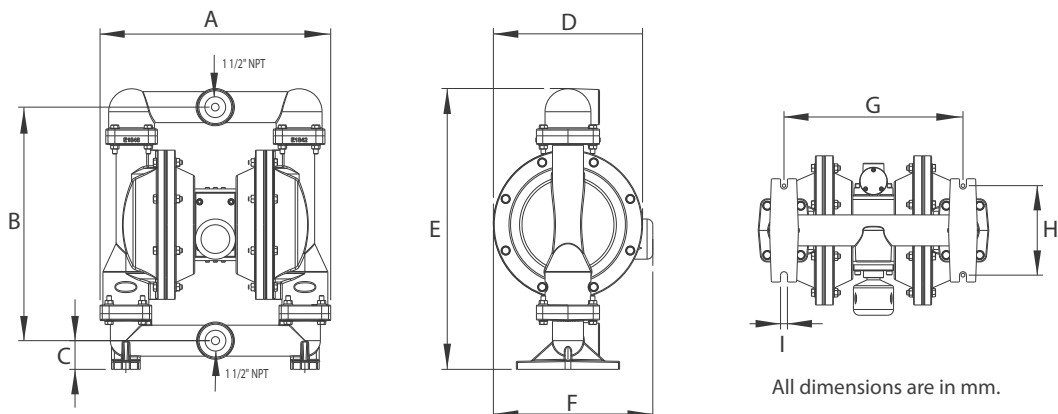


Test Conditions: All tests are made with water. Suction hose submerged in the fluid. Muffler not used. All the values are shown are approximate and not binding.

Example: To pump 187 lpm against a discharge pressure of 4 bar, requires 7 bar and 1,82m³/min air consumption.

Dimensions

A	407
B	402
C	50
D	260.5
E	490
F	280
G	312
H	156
I	12



All dimensions are in mm.