

Ran[®] 1/4" (6.35 mm)

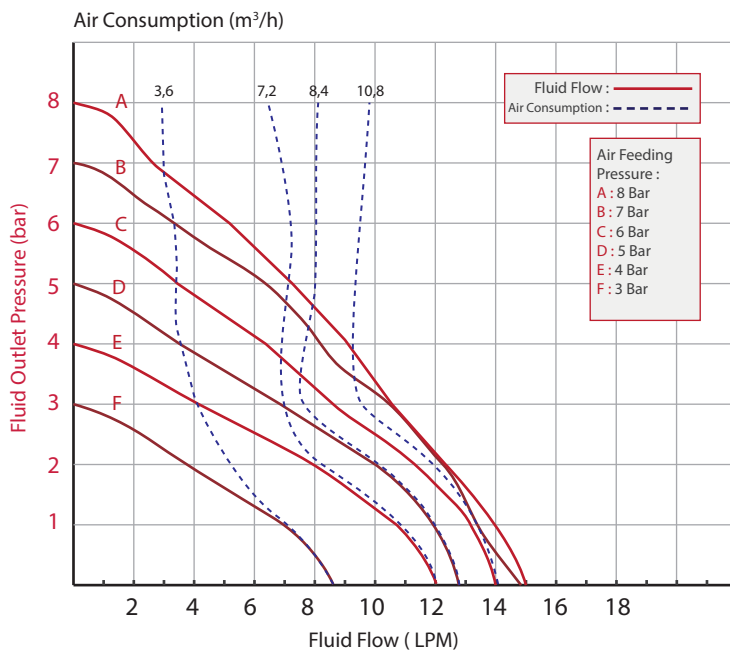
Conductive Polypropylene Body
Diaphragm Pump



Technical Specifications

| | | | |
|---------------------------------|-----------------------|----------------------------|--------------------------|
| Pump Code | EXA8-P1-1 | Pump Housing Material | Conductive Polypropylene |
| Max. Flow Rate | 15 lpm | Center Section Material | Conductive Polypropylene |
| Max. Pump Speed | 250 cpm | Max. Size Pumpable Solids | 1 mm |
| Displacement per cycle | 0.06 liter | Max. Suction Lift | 9.5 m (Wet) 2.5 m (Dry) |
| Fluid Inlet- Outlet Size | 1/4" NPT | Max. Operating Temperature | 80 °C |
| Air Inlet Size | 1/8" | Sound Level | 61 dBa (at 5 bar) |
| Max. Fluid Working Pressure | 8 bar | Diaphragm Material | PTFE |
| Max. Air Consumption (at 5 bar) | 8.4 m ³ /h | Check-Valve Material | PTFE |
| Ratio | 1:1 | Weight | 1.25 kg |

Performance Curves



Made in Turkey



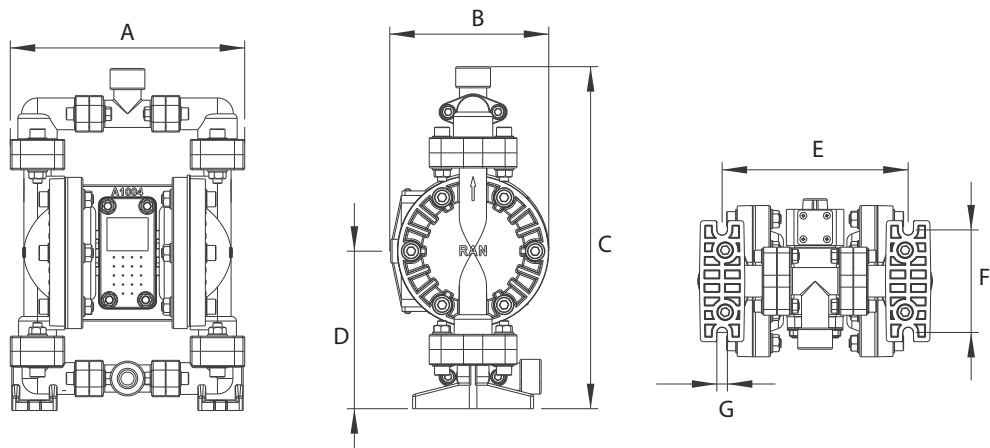
ATEX II 2gd IIb t135

Test Conditions: All tests are made with water. Suction hose submerged in the fluid. Muffler not used. All the values are shown are approximate and not binding.

Example: To pump 7 lpm against a discharge pressure of 3 bar, requires 5 bar and 7.2 m³/h air consumption.

Dimensions

| | |
|---|-------|
| A | 155 |
| B | 104 |
| C | 230 |
| D | 104.5 |
| E | 123 |
| F | 70 |
| G | 7 |



All dimensions are in mm.