

Ran[®] 1/4" (6.35 mm)

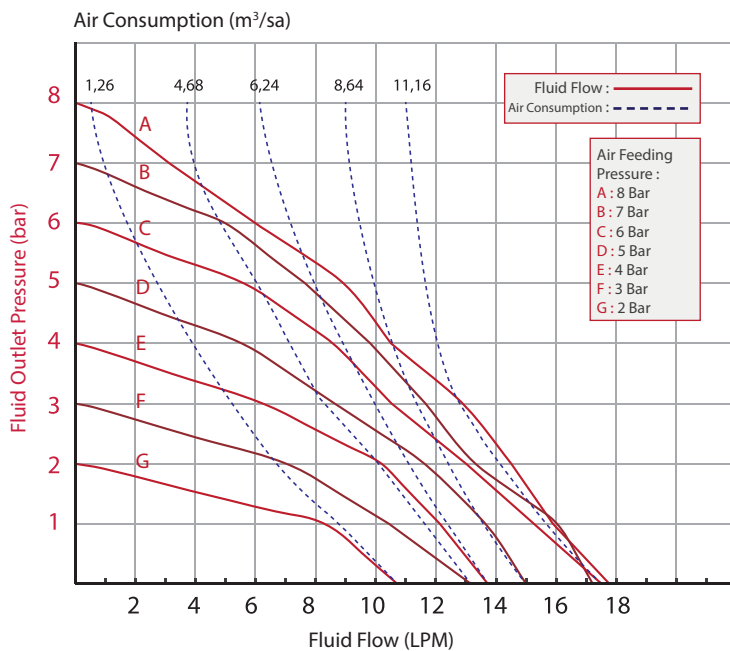
Conductive Polypropylene Body
Diaphragm Pump



Technical Specifications

Pump Code	EXA8-PS-1	Pump Housing Material	Conductive Polypropylene
Max. Flow Rate	18 lpm	Center Section Material	Conductive Polypropylene
Max. Pump Speed	250 cpm	Max. Size Pumpable Solids	1 mm
Displacement per cycle	0.072 liter	Max. Suction Lift	9.5 m (Wet) 2.5 m (Dry)
Fluid Inlet- Outlet Size	1/4" NPT	Max. Operating Temperature	80 °C
Air Inlet Size	1/8"	Sound Level	61 dBa (at 5 bar)
Max. Fluid Working Pressure	8 bar	Diaphragm Material	TPE
Max. Air Consumption (at 5 bar)	8.64 m ³ /h	Check-Valve Material	TPE
Ratio	1:1	Weight	1.2 kg

Performance Curves



Made in Turkey



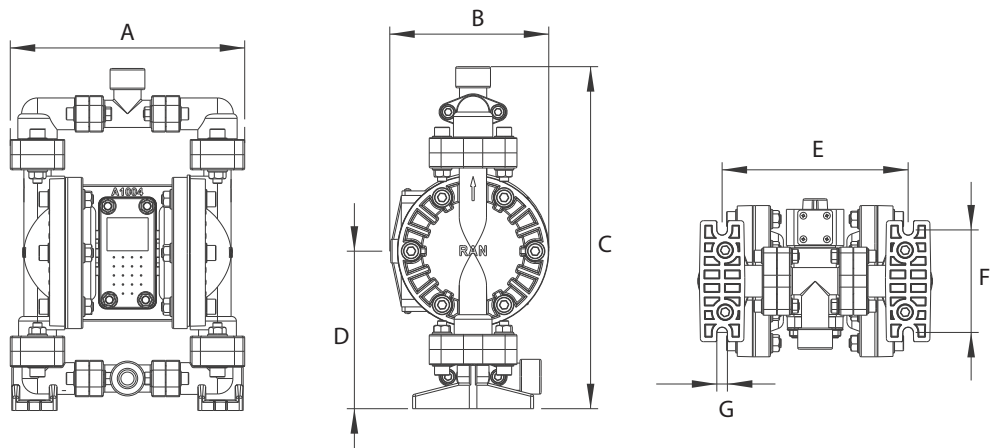
ATEX II 2gd IIb t135

Test Conditions: All tests are made with water. Suction hose submerged in the fluid. Muffler not used. All the values are shown are approximate and not binding.

Example: To pump 10 lpm against a discharge pressure of 2 bar, requires 4 bar and 4.68 m³/h air consumption.

Dimensions

A	155
B	104
C	230
D	104.5
E	123
F	70
G	7



All dimensions are in mm.