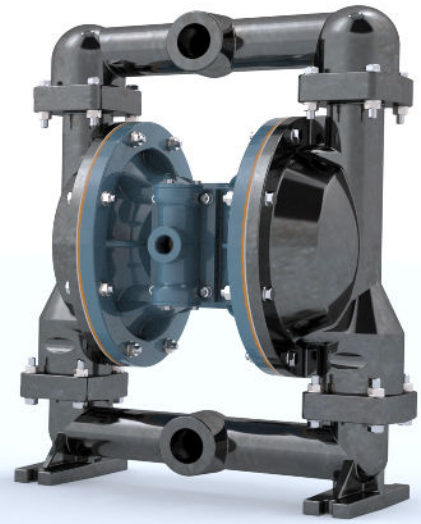


## Ran<sup>®</sup> 1 1/2" (38.1mm)

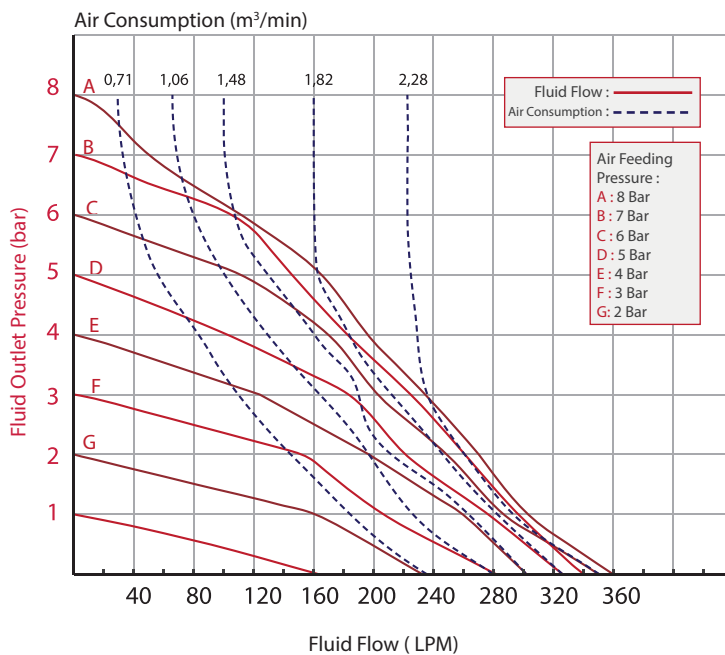
316 Stainless Steel Body  
Diaphragm Pump



### Technical Specifications

Pump Code	EXE40M-SC3	Pump Housing Material	316 Stainless Steel
Max. Flow Rate	360 lpm	Center Section Material	Aluminium
Max. Pump Speed	200 cpm	Max. Size Pumpable Solids	4.5 mm
Displacement per cycle	1.8 liter	Max. Suction Lift	9.5 m (Wet) 5 m (Dry)
Fluid Inlet- Outlet Size	1 1/2" NPT	Max. Operating Temperature	100 °C
Air Inlet Size	1/2"	Sound Level	78 dBa (at 5 bar)
Max. Fluid Working Pressure	8 bar	Diaphragm Material	Hytrel
Max. Air Consumption (at 5 bar)	1.82 m <sup>3</sup> /min	Check-Valve Material	Acetal ball & Hytrel seat
Ratio	1:1	Weight	41 kg

### Performance Curves



**Made in Turkey**



**ATEX II 2gd IIb t135**

**Test Conditions:** All tests are made with water. Suction hose submerged in the fluid. Muffler not used. All the values are shown are approximate and not binding.

**Example:** To pump 187 lpm against a discharge pressure of 4 bar, requires 7 bar and 1,82m<sup>3</sup>/min air consumption.

### Dimensions

A	407
B	402
C	50
D	260.5
E	490
F	280
G	312
H	156
I	12

