



Stainless steel jet pumps for the boosting or transfer of water, small scale irrigation, tank & pool emptying, etc. Suitable for installations with suction lift.

Specifications

- Shallow well jet pump
- Maximum working pressure: 6 bar
- Maximum liquid temperature: 45 °C

Materials

- Pump casing: 304 Stainless Steel
- Impeller: Noryl
- Jet & Diffuser: Noryl
- Shaft: 303 Stainless Steel (wetted part)
- Bracket & Motor frame: Aluminium
- Mechanical Seal: Carbon/Ceramic/NBR

Motor Data

- TEFC, 2 pole, 50 Hz
- Insulation class F
- IP55 protection
- 1 Phase - 230 Volt
- Automatic thermal overload protection

Range

- 25 mm Ø discharge
- 0.44 kW - 1 Phase

Supply

- 1.8 m cable with 3 pin plug

Options

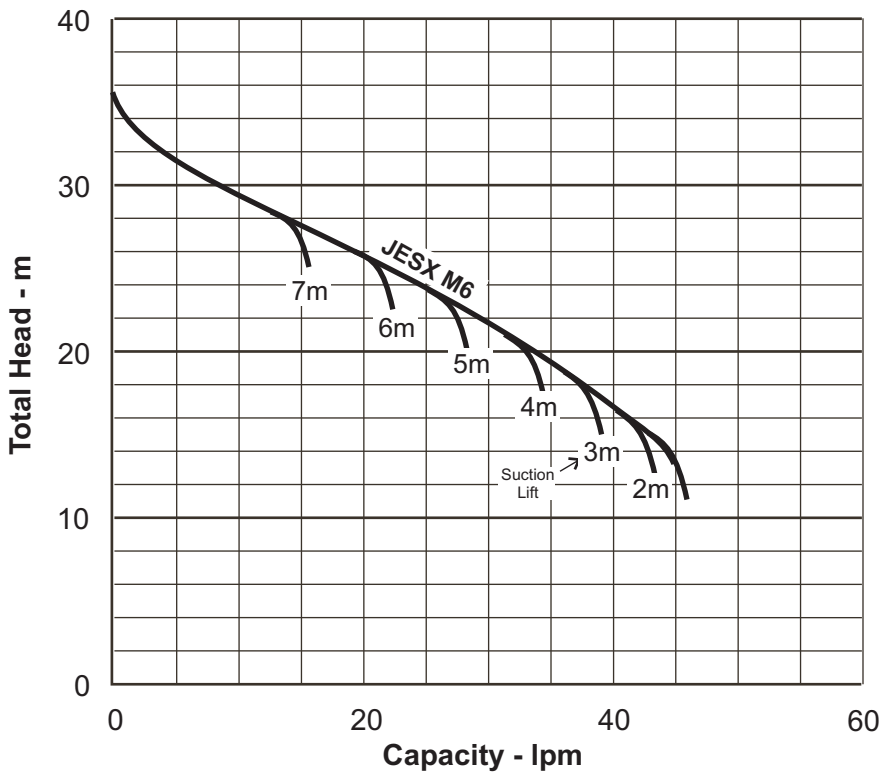
- Available as a pressure system with Presscontrol® or pressure switch

Performance Curve

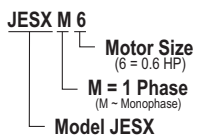
Synchronous Speed: **3000 rpm**

Water temp: **20 °C**

Applicable standard of test : **ISO 9906 Annex A**

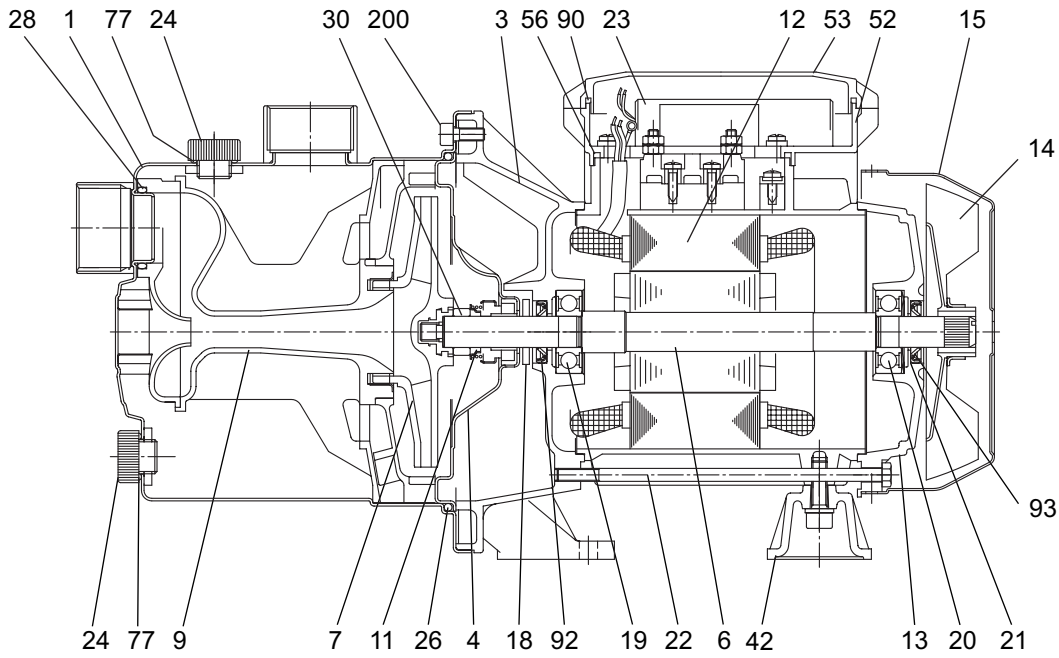


Model Code



Performance Table

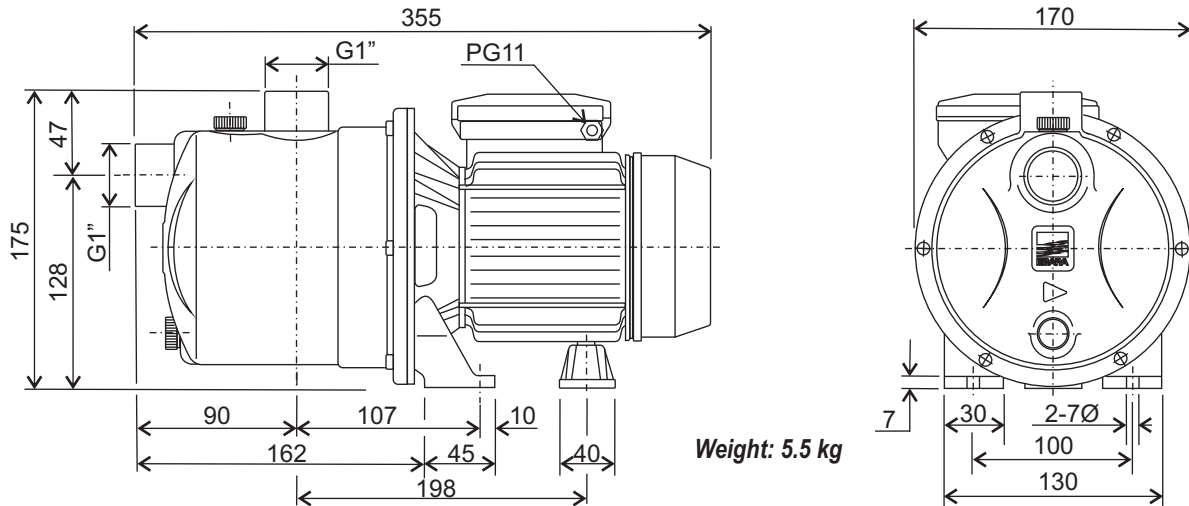
Pump Model	Motor Output	Power Supply	Capacitor µF	Vc	Full Load Current	Capacity - lpm			
						5	20	40	45
JESX M6	0.44 kW	230 V, 50 Hz, 1 PH	10 µF	450 Vc	2.4 A	Total Head - m			
						31.5	26	17	13.5



No.	Description	Material	Qty.	No.	Description	Material	Qty.
1	Casing	304 Stainless Steel	1	22	Tie rod	Fe 420 (Gal)	4
3	Motor bracket	Aluminium	1	23	Capacitor	-	1
4	Casing cover	304 Stainless Steel	1	24	Priming/Drain plug	Nylon	2
6	Shaft with rotor	303 Stainless Steel	1	26	O-Ring	NBR	1
7	Impeller	PPE + PS Glass Fibre	1	28	O-Ring	NBR	1
9	Diffuser/Venturi tube	PPE + PS Glass Fibre	1	30	Mechanical seal spacer	Brass	1
11	Mechanical seal	Carbon/Ceramic/NBR	1	42	Motor support	Aluminium	1
12	Motor frame with stator	-	1	52	Terminal box	ABS	1
13	Motor cover	Aluminium	1	53	Terminal box cover	ABS	1
14	Fan	Polyamide	1	56	Box gasket	NBR	1
15	Fan cover	Fe P04 (Gal)	1	77	O-Ring	NBR	2
18	Splash ring	NBR	1	90	Cover gasket	NBR	1
19	Pump side ball bearing	-	1	92	Lip seal	-	1
20	Fan side ball bearing	-	1	93	Lip seal	-	1
21	Adjusting ring	Steel C70	1	200	Screw	Stainless Steel A2 UNI7323	6

Dimensions

Units: mm unless otherwise specified



Specifications subject to change without notice