



**Specifications**

- Shallow well jet pump
- Maximum working pressure: 6 bar
- Maximum liquid temperature: 45 °C

**Materials**

- Pump casing: 304 Stainless Steel
- Impeller: 304 Stainless Steel
- Jet & Diffuser: Noryl
- Shaft: 303 Stainless Steel (wetted part)
- Bracket & Motor Frame: Aluminium
- Mechanical Seal: Carbon/Ceramic/NBR

**Motor Data**

- TEFC, 2 pole, 50 Hz
- Insulation class F
- IP55 protection
- 1 Phase - 230 Volt
- Automatic thermal overload protection

**Range**

- 25 mm Ø discharge
- 0.6 to 1.1 kW - 1 Phase

**Supply**

- 1.8 m cable with 3 pin plug

**Options**

- Available as a pressure system with Presscontrol® or pressure switch

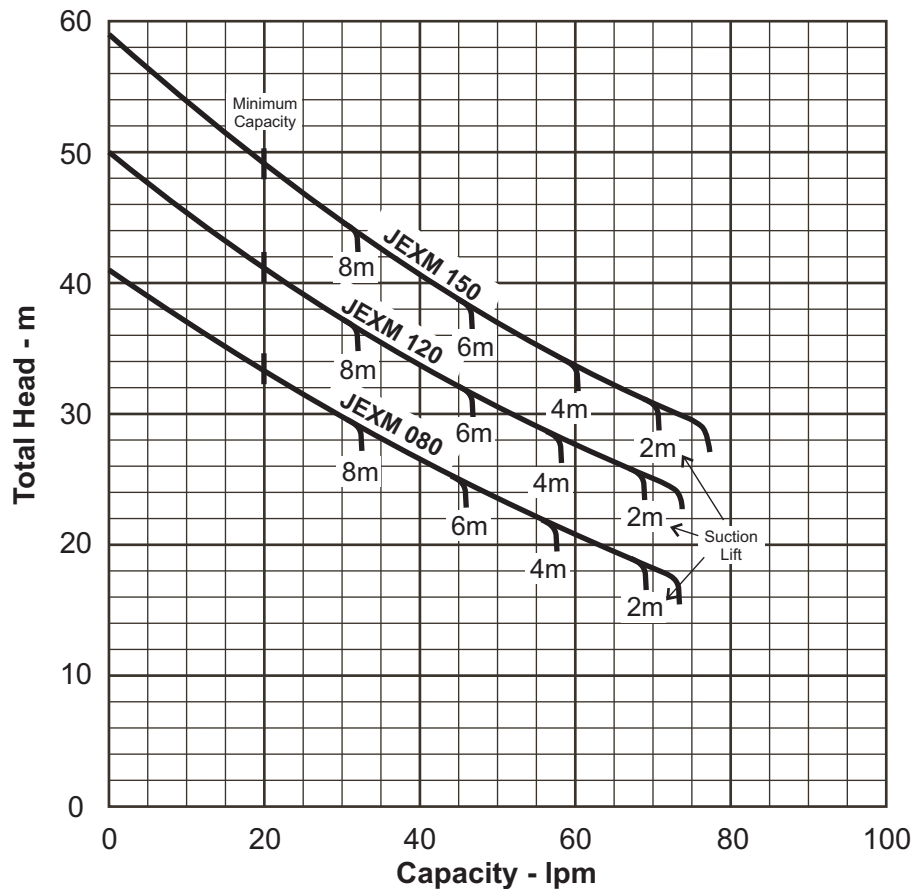
Stainless steel jet pumps for the boosting or transfer of water, small scale irrigation, tank & pool emptying, etc. Suitable for installations with suction lift.

**Performance Curve**

Synchronous Speed: **3000 rpm**

Water temp: **20 °C**

Applicable standard of test : **ISO 9906 Annex A**



**Model Code**

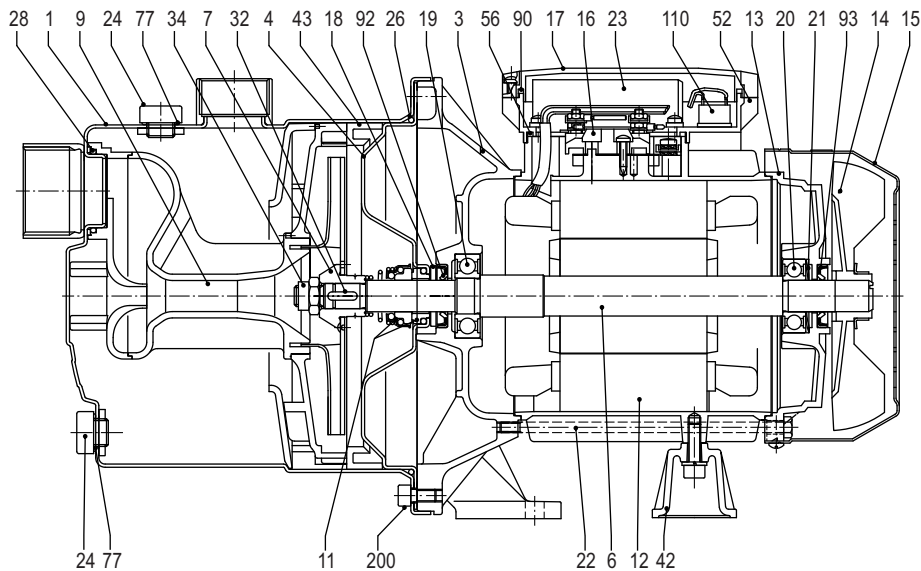
JEX M 080  
 Motor Size (080 = 0.8 HP) (120 = 1.2 HP) (150 = 1.5 HP)  
 M = 1 Phase (M - Monophase)  
 Model JEX

**Performance Table**

Pump Model	Motor Output	Power Supply	Capacitor µF	Vc	Full Load Current	Capacity - lpm							
						20	30	40	50	60	75		
JEXM 080	0.60 kW	230 V, 50 Hz, 1 PH	16 µF	450 Vc	4.7 A	33	29	26.5	23.5	20.5	18		
JEXM 120	0.88 kW	230 V, 50 Hz, 1 PH	20 µF	450 Vc	6.7 A	41	37	34	30.5	27.5	24.5		
JEXM 150	1.10 kW	230 V, 50 Hz, 1 PH	31.5 µF	450 Vc	7.6 A	49	44.5	40.5	37	34	31	29.5	

# Sectional Drawing

Model JEX

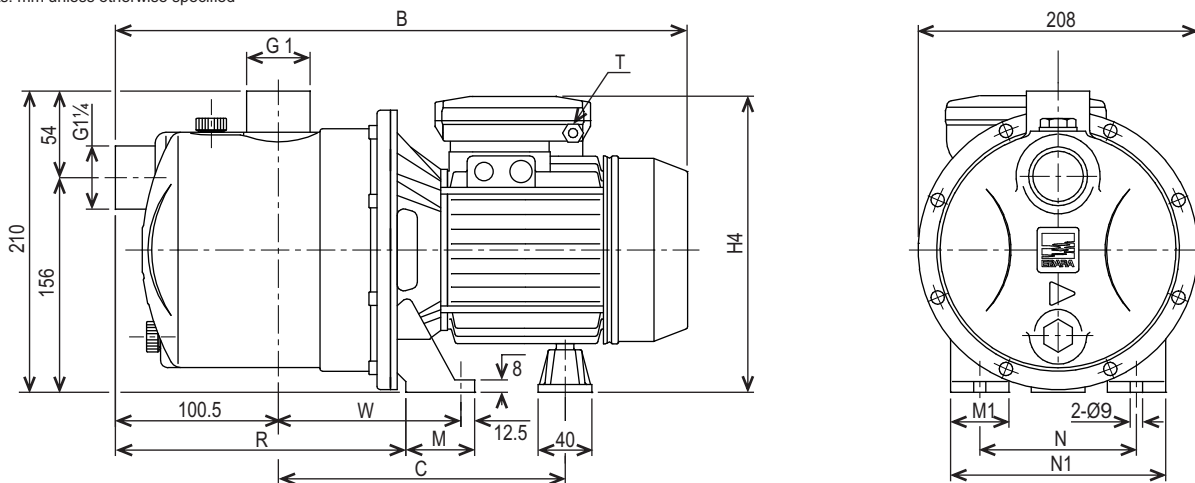


No.	Description	Material	Qty.	No.	Description	Material	Qty.
1	Casing	304 Stainless Steel	1	22	Tie rod	Fe 420 (Gal)	
3	Motor bracket	Aluminium	1	23	Capacitor	-	1
4	Casing cover	304 Stainless Steel	1	24	Priming/Drain plug	Nylon	2
6	Shaft with rotor	303 Stainless Steel (Part in contact with liquid)	1	26	O-Ring	NBR	1
7	Impeller	304 Stainless Steel	1	28	O-Ring	NBR	1
9	Diffuser/Venturi tube	PPE + PS Glass Fibre	1	32	Impeller key	304 Stainless Steel	1
11	Mechanical seal	Carbon/Ceramic/NBR	1	34	Impeller nut	304 Stainless Steel	1
12	Motor frame with stator	-	1	42	Motor support	Aluminium	1
13	Motor cover	Aluminium	1	43	Space diffuser	Noryl	1
14	Fan	Polyamide	1	52	Terminal box	ABS	1
15	Fan cover	Fe P04 (Gal)	1	56	Box gasket	NBR	1
16	Terminal block	-	1	77	O-Ring	NBR	2
17	Terminal box cover	ABS	1	90	Cover gasket	NBR	1
18	Splash ring	NBR	1	92	Lip seal	-	1
19	Pump side ball bearing	-	1	93	Lip seal	-	1
20	Fan side ball bearing	-	1	110	Motor protector	- (Only for JEXM 150)	1
21	Adjusting ring	Steel C70	1	200	Screw	Stainless Steel A2 UNI7323	8

# Dimensions

Model JEX

Units: mm unless otherwise specified



Model	Dimensions										Approx. Weight kg
	B	C	H4	M	M1	N	N1	R	T	W	
JEXM 080	417	230	215	50	38	120	160	206	PG11	143	11
JEXM 120	417	230	215	50	38	120	160	206	PG11	143	12
JEXM 150	445	250	240	55	40	140	180	203.5	PG13.5	145.5	15

Specifications subject to change without notice



EBARA PUMPS AUSTRALIA PTY. LTD.

Data Sheet  
JEX 13-03