

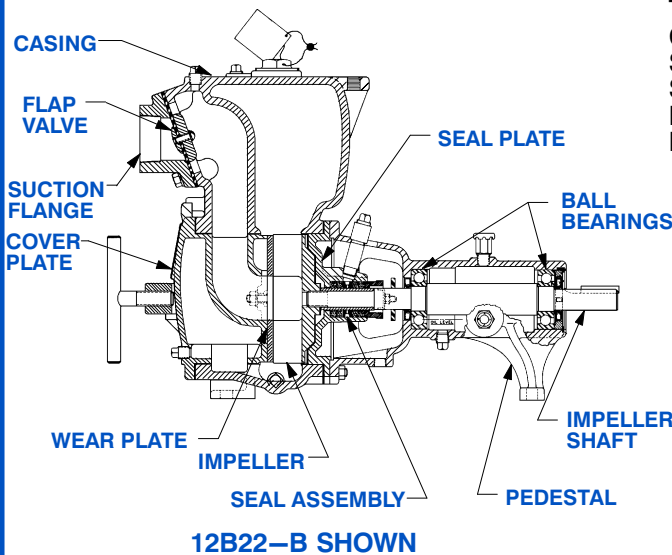


Stainless Steel, Basic Pedestal
Self Priming Centrifugal Pump
Models 12B9-B and 12B22-B
Size 2" x 2"

PUMP SPECIFICATIONS

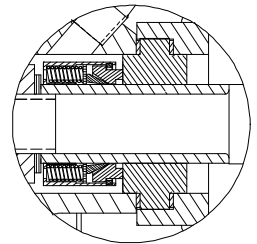
- Size:** 2" x 2" (51 mm x 51 mm) NPT - Female.
- Casing:** Stainless Steel 316.
Maximum Operating Pressure 59 psi (407 kPa).*
- Semi-Open Type, Two Vane Impeller:** Stainless Steel 316.
Handles 1 1/4" (32 mm) Diameter Spherical Solids.
- Impeller Shaft:** Stainless Steel 17-4 PH.
- Replaceable Wear Plate:** Stainless Steel 316.
- Removable Cover Plate:** Stainless Steel 316; 14 lbs. (6 kg).
- Pedestal:** Gray Iron 30.
- Seal Plate:** Stainless Steel 316.
- Flap Valve:** Fluorocarbon (DuPont Viton® or Equivalent);
Stainless Steel Alloy 20; Stainless Steel 316.
- Shaft Sleeve:** Stainless Steel 316.
- Radial and Thrust Bearings:** Open Single Row Ball.
Bearing Lubrication: SAE 30 Non-Detergent Oil.
- Flange:** Stainless Steel 316.
- Gaskets:** Fluorocarbon (DuPont Viton® or Equivalent) and
Compressed Synthetic Fibers.
- Hardware:** Stainless Steel 316.
- Optional Equipment:** 120/240 Volt Casing Heater.
High Temp Shut Down Kit.

**Consult Factory for Applications Exceeding Maximum Pressure and/or Temperature Indicated.*



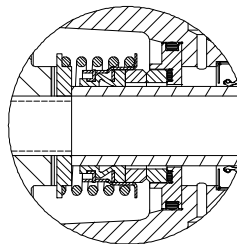
12B9-B SEAL DETAIL

Type 9, Mechanical, Self-Lubricating. Carbon Rotating Face. Ceramic Stationary Face. PTFE Elastomers. Stainless Steel 316 Cage and Spring. Maximum Temperature of Liquid Pumped, 160°F (71°C).*



12B22-B SEAL DETAIL

Type 2, Mechanical, Oil-Lubricated, Double Floating, Self-Aligning. Tungsten Titanium Carbide Rotating and Stationary Faces. Stainless Steel 316 Stationary Seat. Fluorocarbon Elastomers (DuPont Viton® or Equivalent). Stainless Steel 303/304 Cage and Spring. Maximum Temperature of Liquid Pumped, 160°F (71°C).*



THE GORMAN-RUPP COMPANY • MANSFIELD, OHIO

GORMAN-RUPP OF CANADA LIMITED • ST. THOMAS, ONTARIO, CANADA

www.grpumps.com

Specifications Subject to Change Without Notice

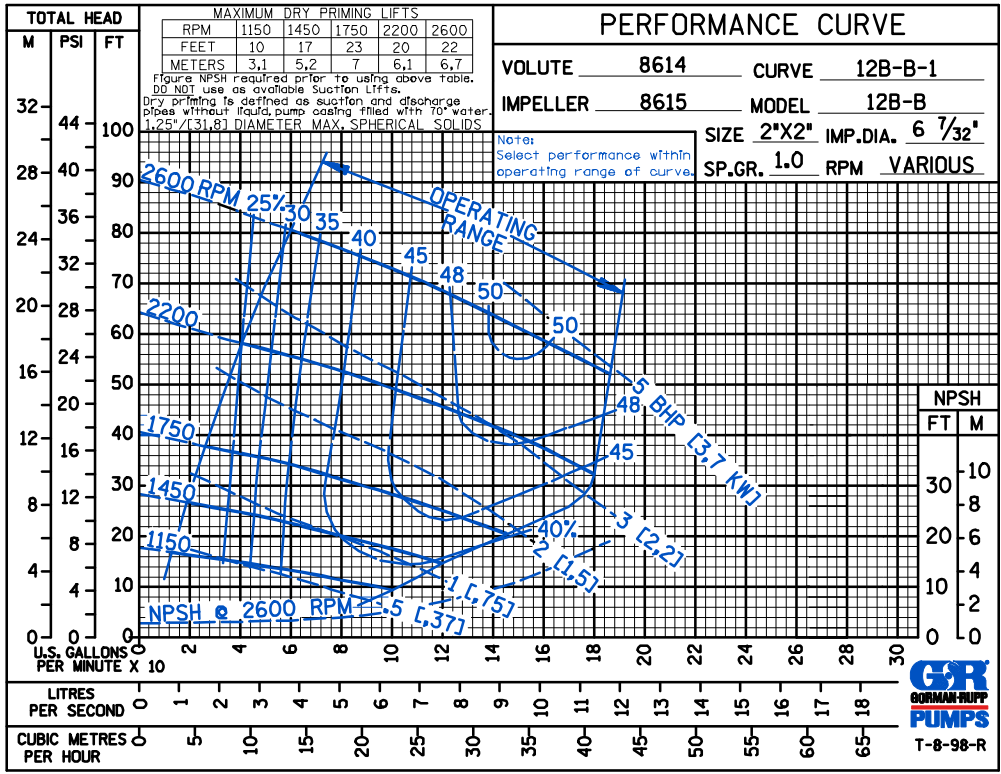
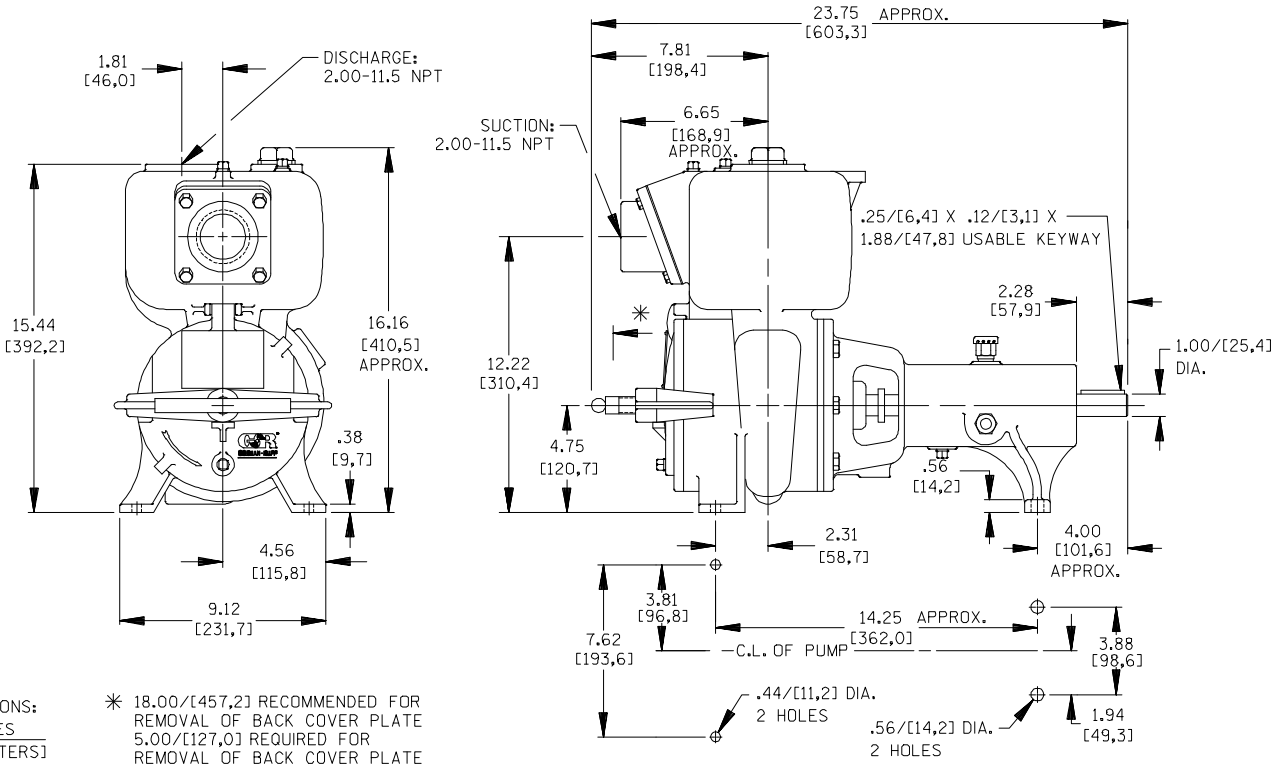
Printed in U.S.A.

Specification Data

SECTION 55, PAGE 204

APPROXIMATE
DIMENSIONS and WEIGHTS

NET WEIGHT: 122 LBS. (55 KG.)
SHIPPING WEIGHT: 132 LBS. (60 KG.)
EXPORT CRATE SIZE: 6.2 CU. FT. (0,07 CU. M.)



THE GORMAN-RUPP COMPANY • MANSFIELD, OHIO

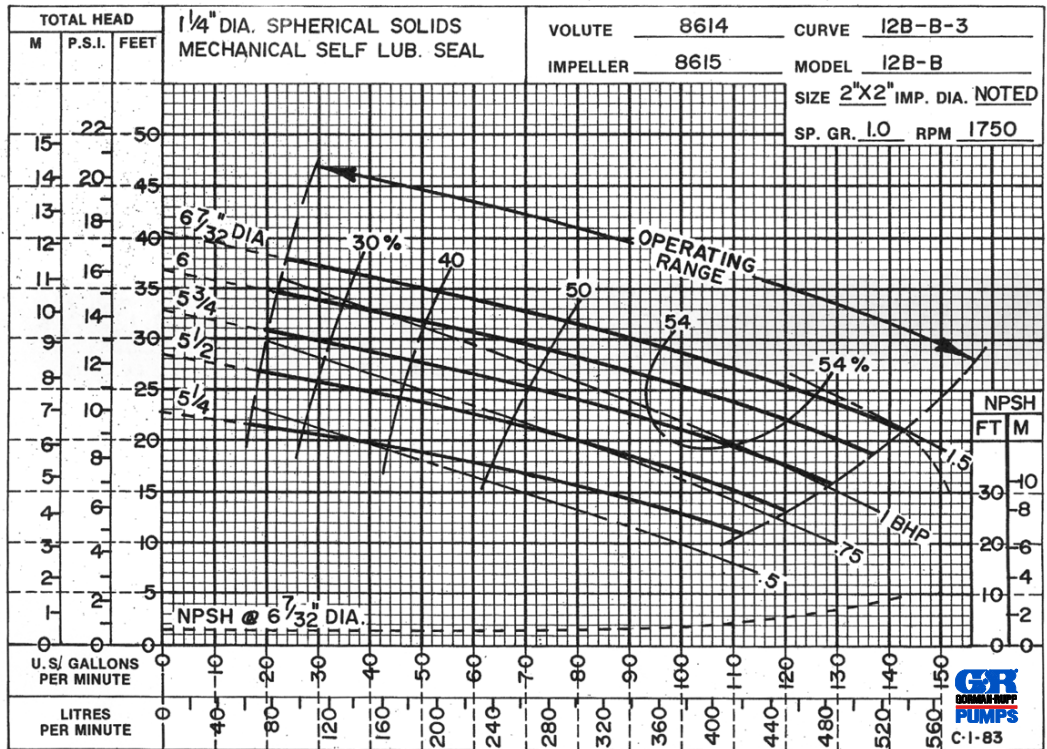
GORMAN-RUPP OF CANADA LIMITED • ST. THOMAS, ONTARIO, CANADA

Specifications Subject to Change Without Notice

Printed in U.S.A.

ACDE

60 HERTZ
PERFORMANCE
BASED ON
WATER
TRIMMED
IMPELLER



THE GORMAN-RUPP COMPANY • MANSFIELD, OHIO

GORMAN-RUPP OF CANADA LIMITED • ST. THOMAS, ONTARIO, CANADA

Specifications Subject to Change Without Notice

Printed in U.S.A.