

## Stainless Steel, Basic Pedestal

C

## Self Priming Centrifugal Pump



## Model 12B65-B

## Size 2" x 2"

## PUMP SPECIFICATIONS

**Size:** 2" x 2" (51 mm x 51 mm) NPT - Female.

**Casing:** Stainless Steel CD4MCu.

Maximum Operating Pressure 59 psi (407 kPa).\*

**Semi-Open Type, Two Vane Impeller:** Stainless Steel CD4MCu. Handles 1 1/4" (32 mm) Diameter Spherical Solids.

**Impeller Shaft:** Stainless Steel 17-4 PH.

**Replaceable Wear Plate:** Stainless Steel CD4MCu.

**Removable Cover Plate:** Stainless Steel CD4MCu;  
14 lbs. (6 kg).

**Pedestal:** Gray Iron 30.

**Seal Plate:** Stainless Steel CD4MCu.

**Flap Valve:** Fluorocarbon (DuPont Viton® or Equivalent);  
Stainless Steel Alloy 20 and Stainless Steel 316.

**Shaft Sleeve:** Stainless Steel 316.

**Radial and Thrust Bearings:** Open Single Row Ball.

**Bearing Lubrication:** SAE 30 Non-Detergent Oil.

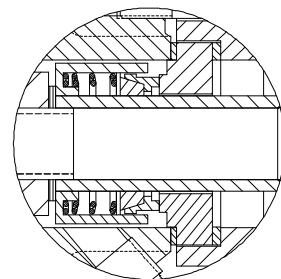
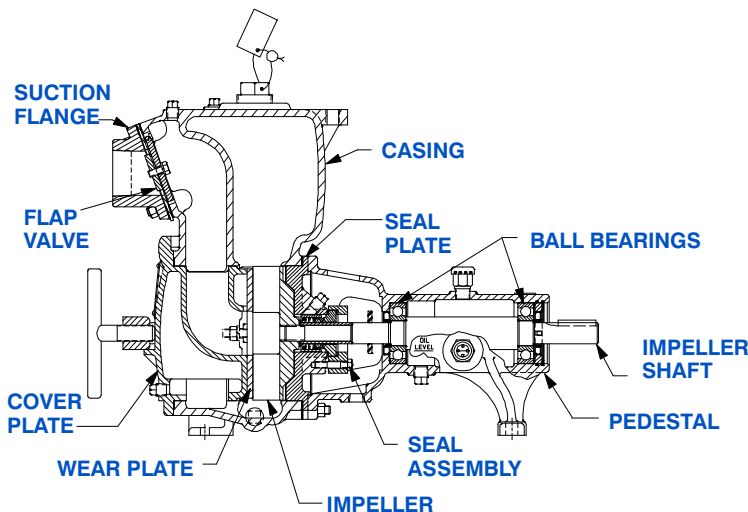
**Suction Flange:** Stainless Steel 316.

**Gaskets:** Compressed Synthetic Fibers, Fluorocarbon  
(DuPont Viton® or Equivalent).

**Hardware:** Stainless Steel 316.

**Optional Equipment:** High Temp Shut Down Kit.

*\*Consult Factory for Applications Exceeding Maximum  
Pressure and/or Temperature Indicated.*



## SEAL DETAIL

Type 9, Mechanical, Self-Lubricated. Silicon Carbide Rotating and Stationary Faces. PTFE Elastomers. Stainless Steel Alloy 20 Cage and Spring. Maximum Temperature of Liquid Pumped 160°F (71°C).\*



THE GORMAN-RUPP COMPANY • MANSFIELD, OHIO

GORMAN-RUPP OF CANADA LIMITED • ST. THOMAS, ONTARIO, CANADA

www.grpumps.com

Specifications Subject to Change Without Notice

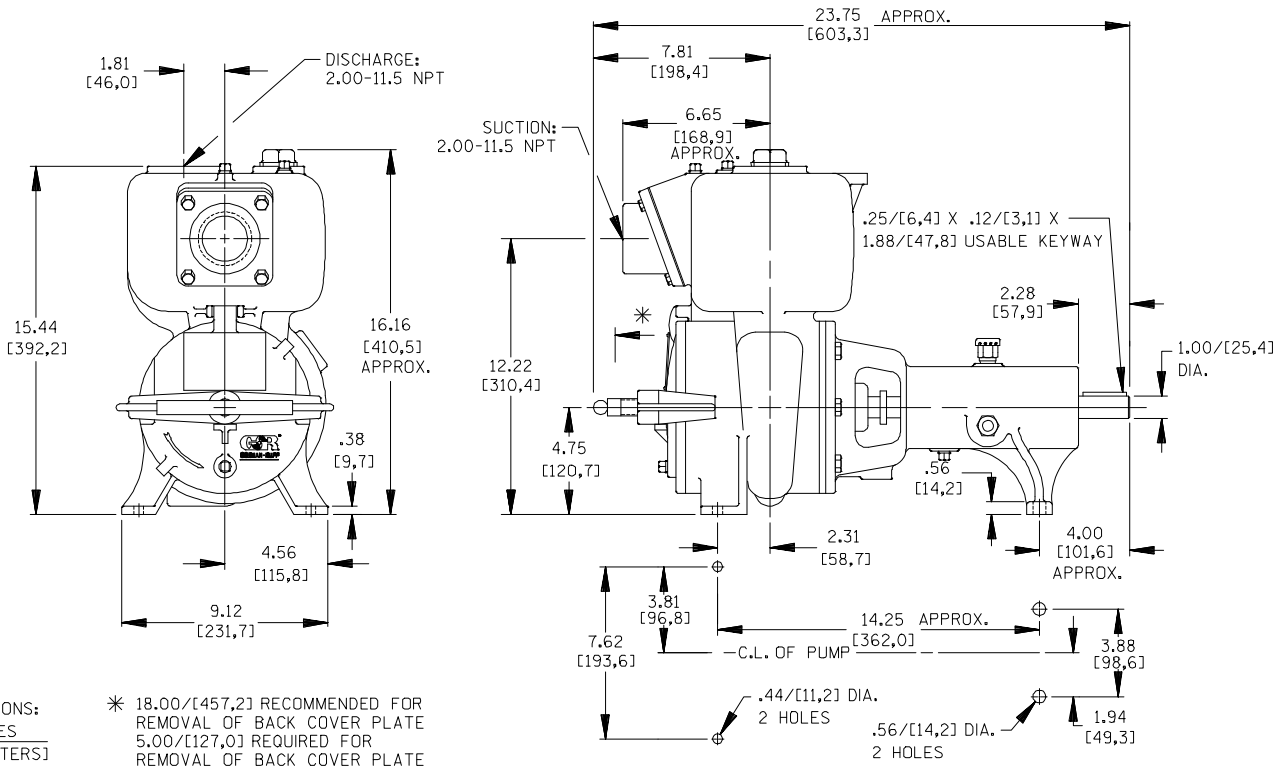
Printed in U.S.A.

**Specification Data**

**SECTION 55, PAGE 210**

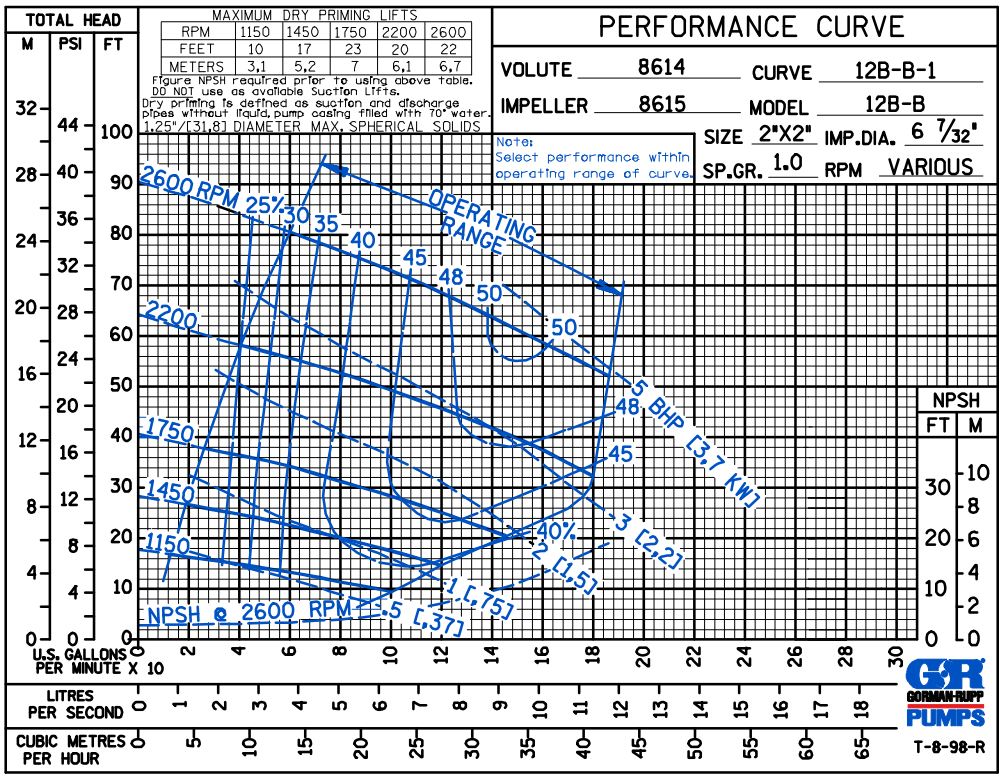
APPROXIMATE  
DIMENSIONS and WEIGHTS

**NET WEIGHT:** 124 LBS. (56,2 KG.)  
**SHIPPING WEIGHT:** 134 LBS. (60,7 KG.)  
**EXPORT CRATE SIZE:** 7.9 CU. FT. (0,22 CU. M.)



DIMENSIONS:  
INCHES  
MILLIMETERS

\* 18.00/[457,2] RECOMMENDED FOR  
REMOVAL OF BACK COVER PLATE  
5.00/[127,0] REQUIRED FOR  
REMOVAL OF BACK COVER PLATE



**THE GORMAN-RUPP COMPANY • MANSFIELD, OHIO**

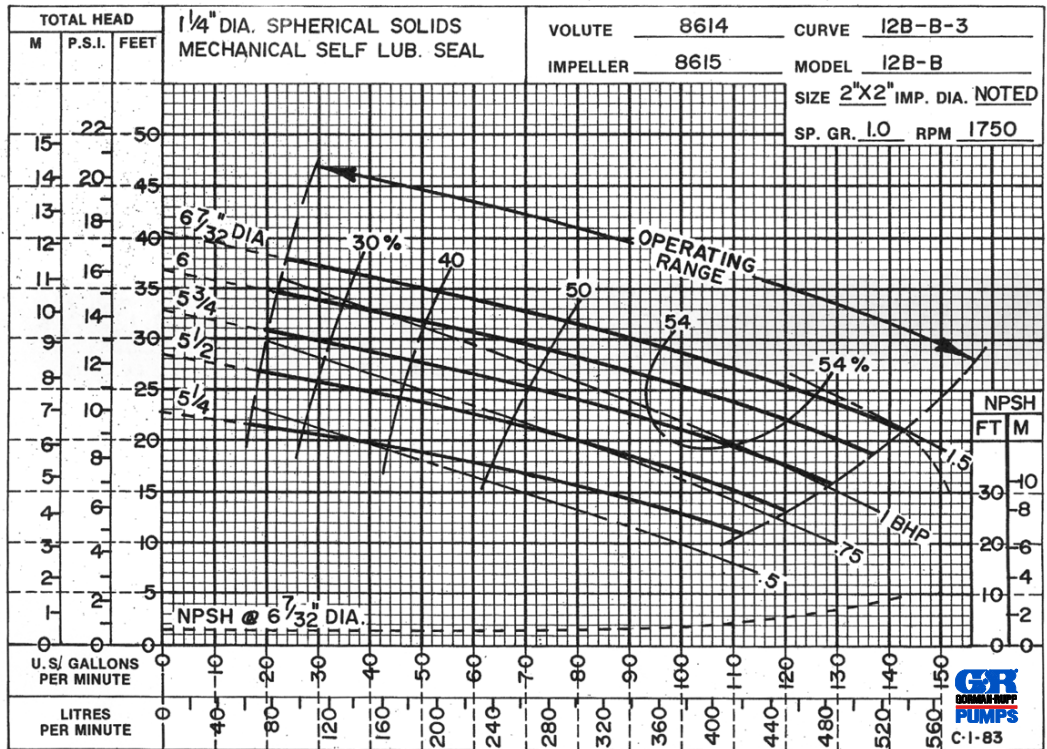
GORMAN-RUPP OF CANADA LIMITED • ST. THOMAS, ONTARIO, CANADA

Specifications Subject to Change Without Notice

Printed in U.S.A.

ACDE

60 HERTZ  
PERFORMANCE  
BASED ON  
WATER  
TRIMMED  
IMPELLER



THE GORMAN-RUPP COMPANY • MANSFIELD, OHIO

GORMAN-RUPP OF CANADA LIMITED • ST. THOMAS, ONTARIO, CANADA

Specifications Subject to Change Without Notice

Printed in U.S.A.