

## Stainless Steel Basic Pedestal

## Standard Centrifugal Pump

Model 6504A65-B

Size 6" x 4"



## PUMP SPECIFICATIONS

**Size:** 6" x 4" (152 mm x 102 mm) Flanged.

**Casing:** Stainless Steel CD4MCu.

Maximum Operating Pressure 200 psi (1379 kPa).\*

**Enclosed Type, Two Vane Impeller:** Stainless Steel CD4MCu.

Handles 3" (76,2 mm) Diameter Spherical Solids.

**Suction Head:** Stainless Steel CD4MCu.

**Suction Spool:** Stainless Steel CD4MCu.

**Impeller Shaft:** Stainless Steel 17-4 PH.

**Replaceable Wear Ring:** Stainless Steel CD4MCu.

**Pedestal:** Gray Iron 30.

**Seal Plate:** Stainless Steel CD4MCu.

**Shaft Sleeve:** Stainless Steel 17-4 PH.

**Radial Bearing:** Open Roller.

**Thrust Bearing:** Open Double Ball.

**Bearing and Seal Cavity Lubrication:** SAE 30 Non-Detergent Oil.

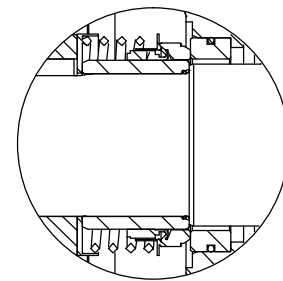
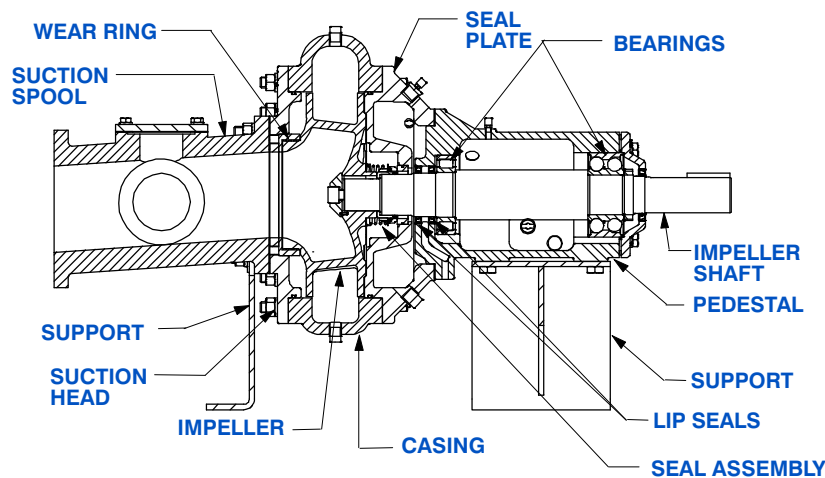
**Gaskets:** Fluorocarbon (DuPont Viton® or Equivalent), Compressed Synthetic Fibers and Buna-N.

**O-Rings:** Fluorocarbon (DuPont Viton® or Equivalent).

**Hardware:** Stainless Steel 316.

**Bearing and Seal Cavity Oil Level Sight Gauges.**

\*Consult Factory for Applications Exceeding Maximum Pressure and/or Temperature Indicated.



## SEAL DETAIL

Mechanical, Oil-Lubricated. Silicon Carbide Rotating Face and Stationary Seat. Fluorocarbon Elastomers (DuPont Viton® or Equivalent). Stainless Steel 316 Cage and Spring. Maximum Temperature of Liquid Pumped 160°F (71°C).\*



GORMAN-RUPP PUMPS

www.grpumps.com

Specifications Subject to Change Without Notice

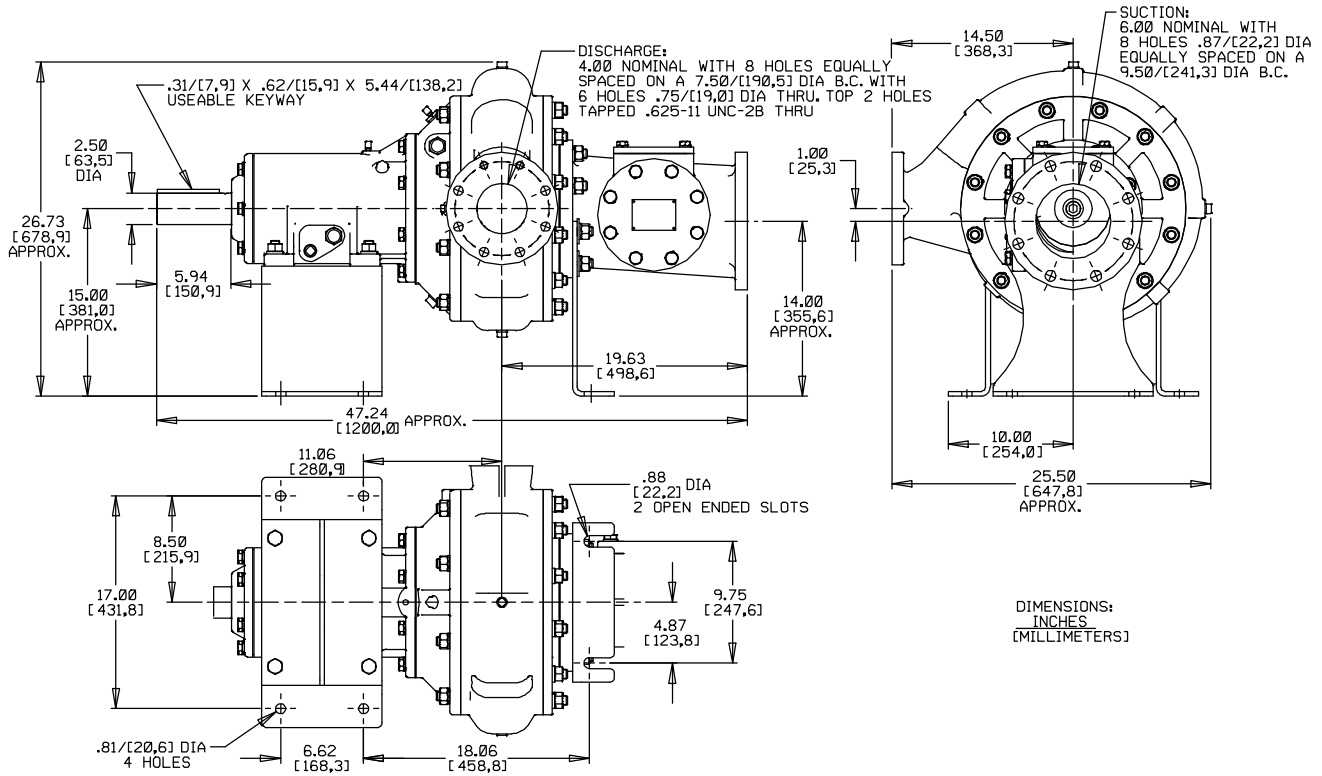
Printed in U.S.A.

**Specification Data**

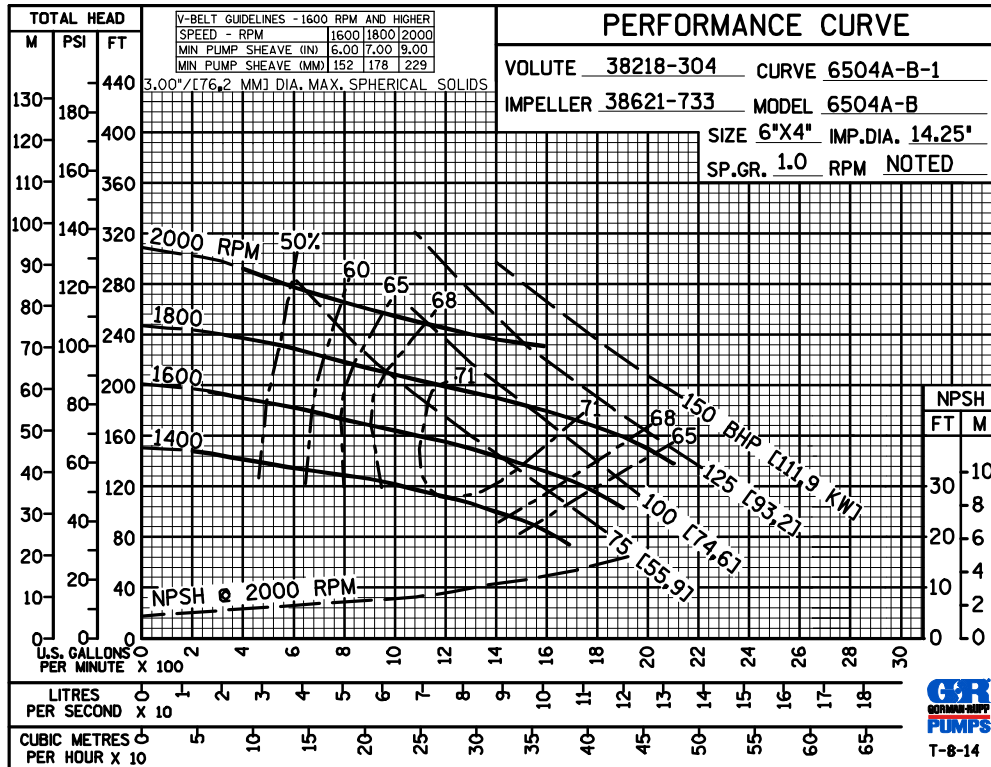
**SECTION 65, PAGE 205**

APPROXIMATE  
DIMENSIONS and WEIGHTS

**NET WEIGHT:** 735 LBS. (333,4 KG.)  
**SHIPPING WEIGHT:** 835 LBS. (378,7 KG.)  
**EXPORT CRATE:** 31.9 CU. FT. (0,9 CU. M.)



**MULTI-SPEED  
CURVE  
PERFORMANCE  
BASED ON  
WATER**



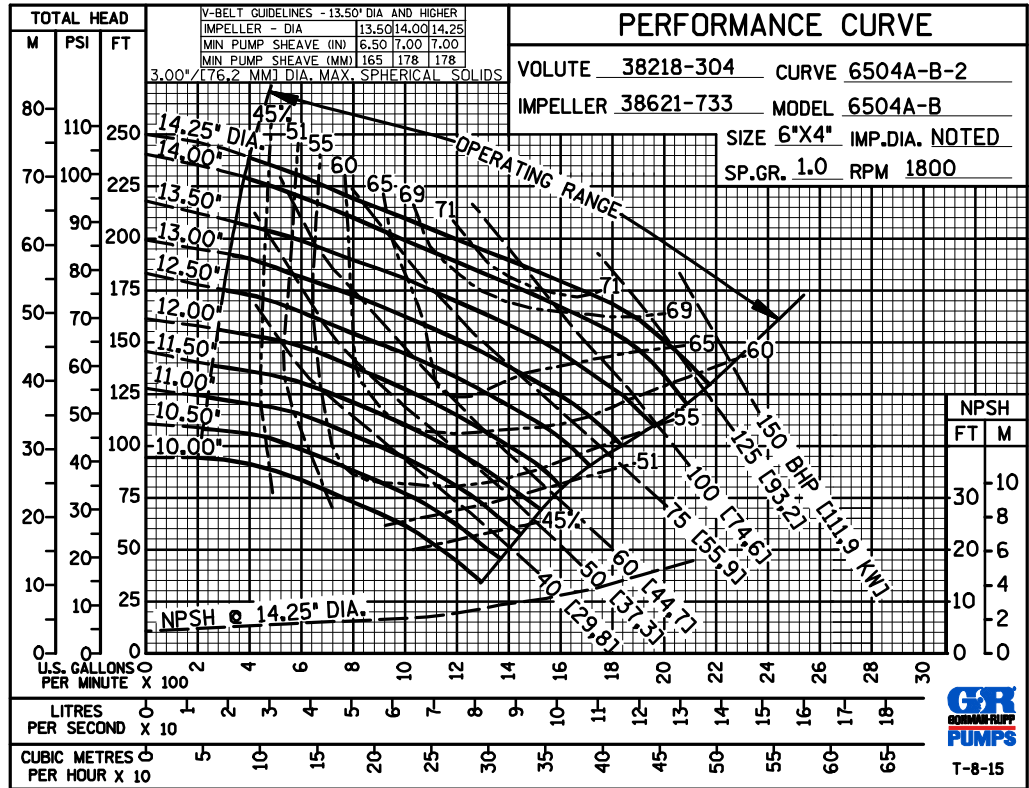
**GORMAN-RUPP PUMPS**

www.grpumps.com

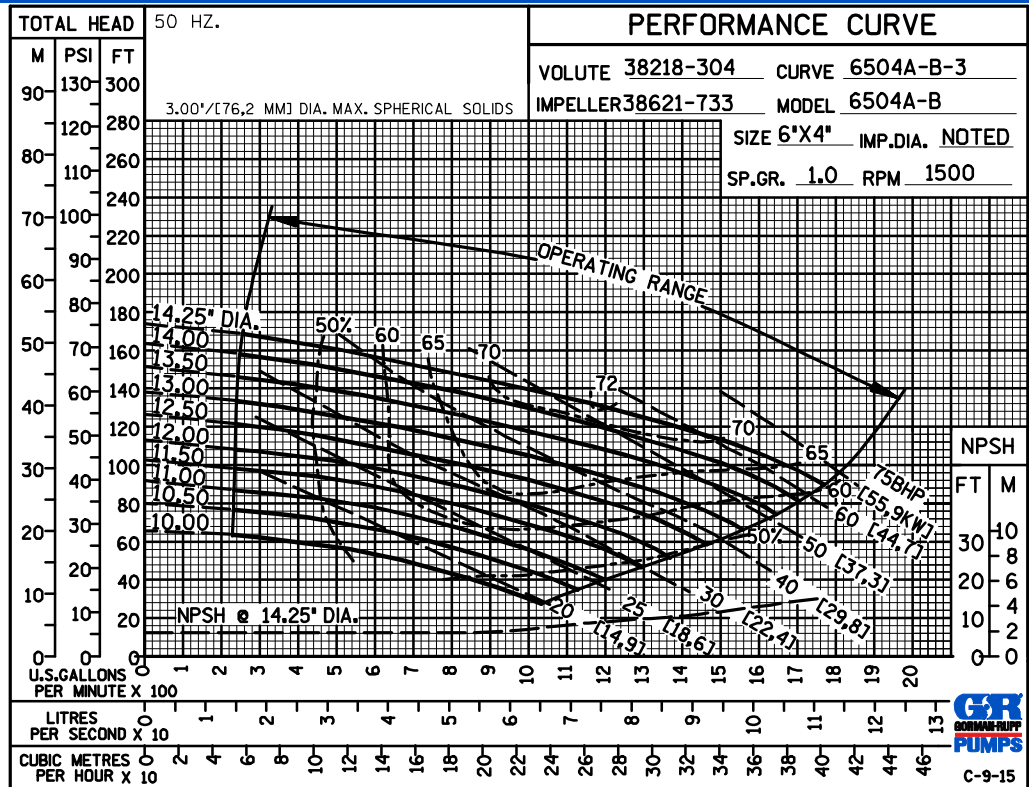
Specifications Subject to Change Without Notice

Printed in U.S.A.

60 HERTZ  
PERFORMANCE  
BASED ON  
WATER  
TRIMMED  
IMPELLER



50 HERTZ  
PERFORMANCE  
BASED ON  
WATER  
TRIMMED  
IMPELLER



GORMAN-RUPP PUMPS

www.grpumps.com

Specifications Subject to Change Without Notice

Printed in U.S.A.