

Standard Centrifugal Pump



Model 6506A65-B

Size 10" x 6"

PUMP SPECIFICATIONS

Size: 10" x 6" (254 mm x 152,4 mm) Flanged.

Casing: Stainless Steel CD4MCu.

Maximum Operating Pressure 230 psi (1586 kPa).*

Enclosed Type, Two Vane Impeller: Stainless Steel CD4MCu.

Handles 3" (76,2 mm) Diameter Spherical Solids.

Suction Head: Stainless Steel CD4MCu.

Suction Spool: Stainless Steel CD4MCu.

Impeller Shaft: Stainless Steel 17-4 PH.

Replaceable Wear Ring: Stainless Steel CD4MCu.

Pedestal: Gray Iron 30.

Seal Plate: Stainless Steel CD4MCu.

Shaft Sleeve: Stainless Steel 17-4 PH.

Radial Bearing: Open Roller.

Thrust Bearing: Open Double Ball.

Bearing and Seal Cavity Lubrication: SAE 30 Non-Detergent Oil.

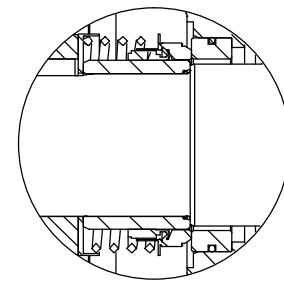
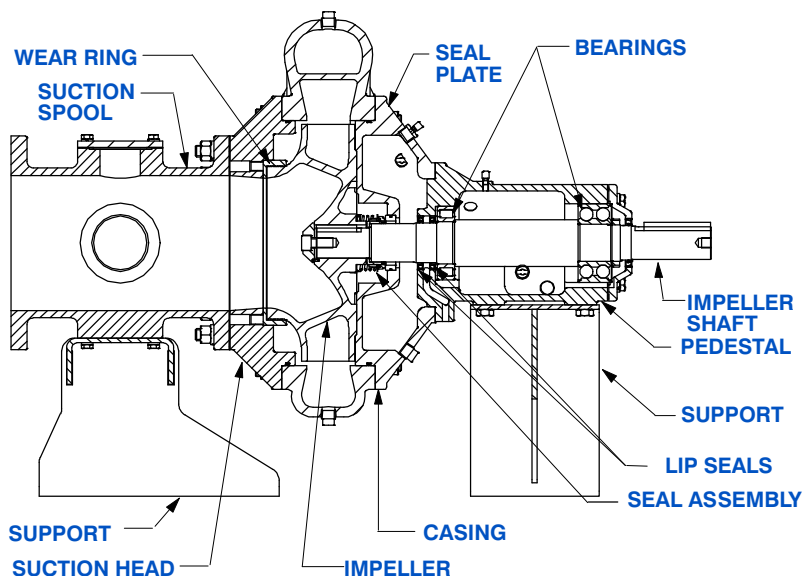
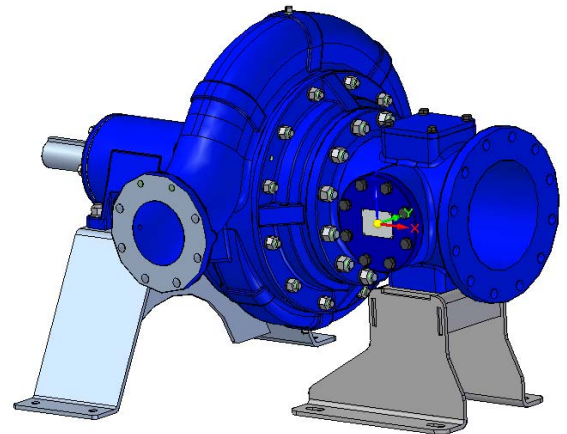
Gaskets: Fluorocarbon (DuPont Viton® or Equivalent), Compressed Synthetic Fibers and Buna-N.

O-Rings: Fluorocarbon (DuPont Viton® or Equivalent).

Hardware: Stainless Steel 316.

Bearing and Seal Cavity Oil Level Sight Gauges.

**Consult Factory for Applications Exceeding Maximum Pressure and/or Temperature Indicated.*



SEAL DETAIL

Mechanical, Oil-Lubricated. Silicon Carbide Rotating Face and Stationary Seat. Fluorocarbon Elastomers (DuPont Viton® or Equivalent). Stainless Steel 316 Cage and Spring. Maximum Temperature of Liquid Pumped 160°F (71°C).*



GORMAN-RUPP PUMPS

www.grpumps.com

Specifications Subject to Change Without Notice

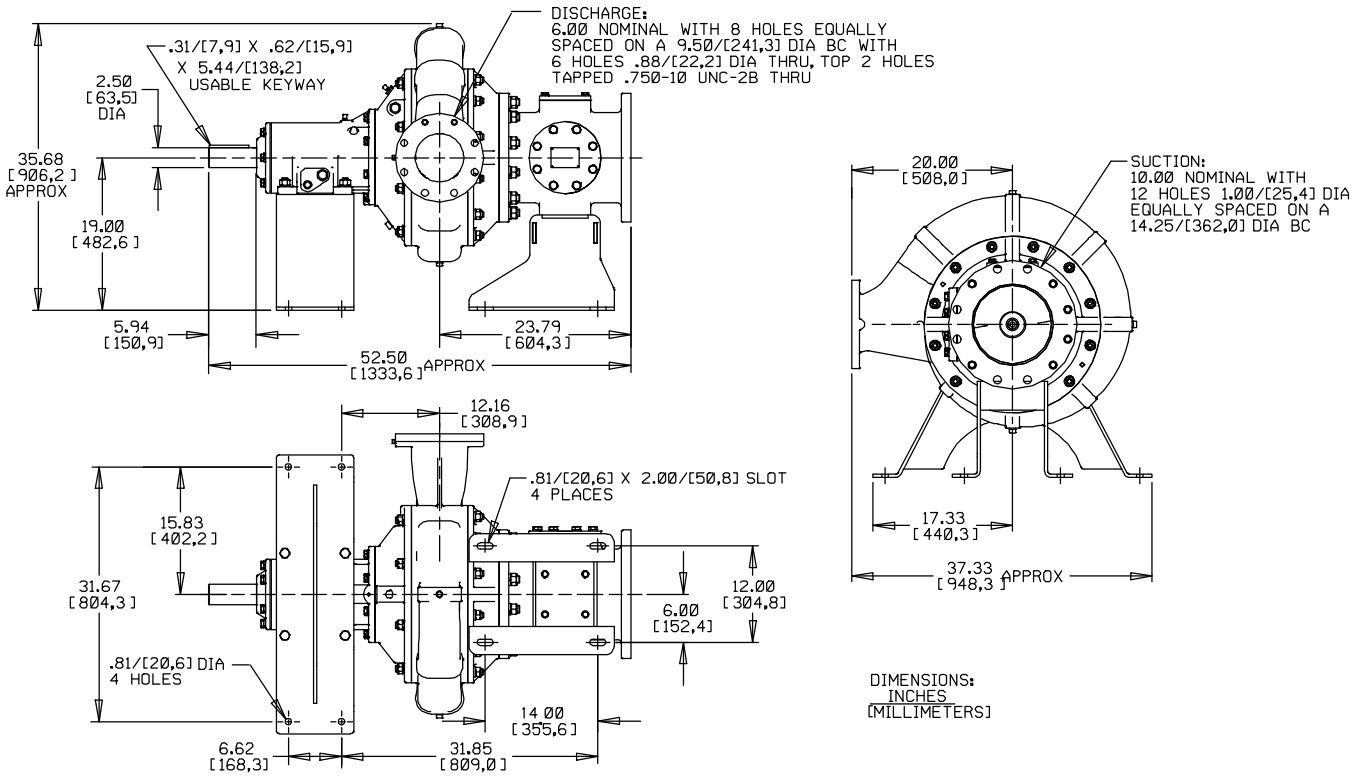
Printed in U.S.A.

Specification Data

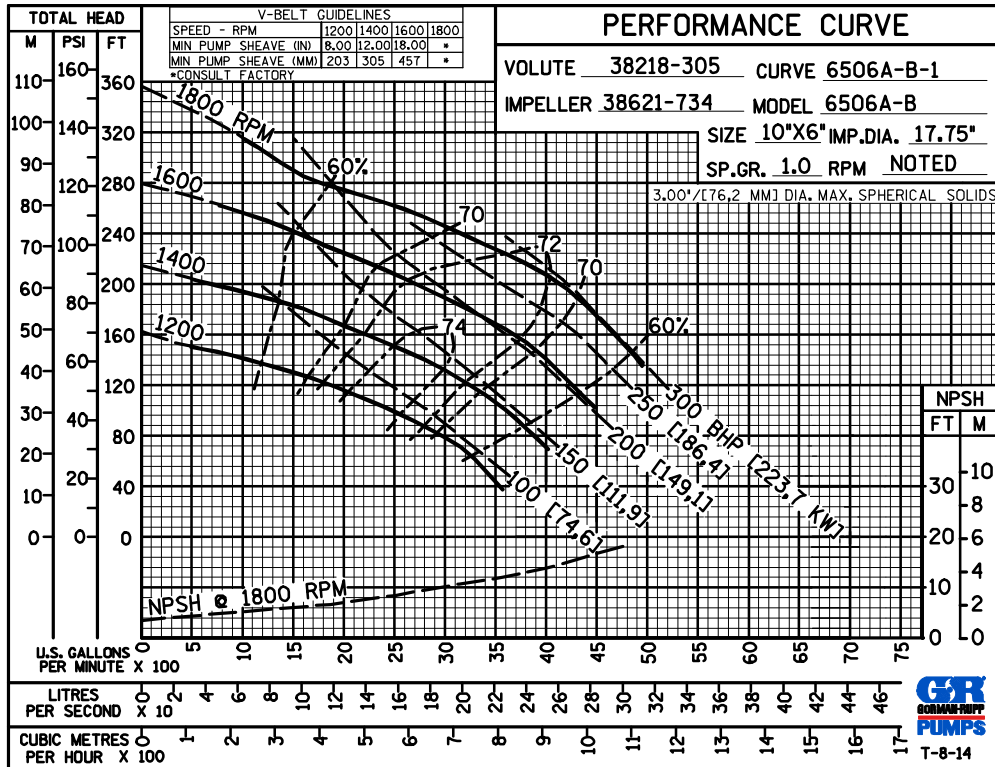
SECTION 65, PAGE 301

APPROXIMATE
DIMENSIONS and WEIGHTS

NET WEIGHT: 1490 LBS. (675,9 KG.)
SHIPPING WEIGHT: 1690 LBS. (766,6 KG.)
EXPORT CRATE: 55.8 CU. FT. (1,6 CU. M.)



**MULTI-SPEED
CURVE
PERFORMANCE
BASED ON
WATER**



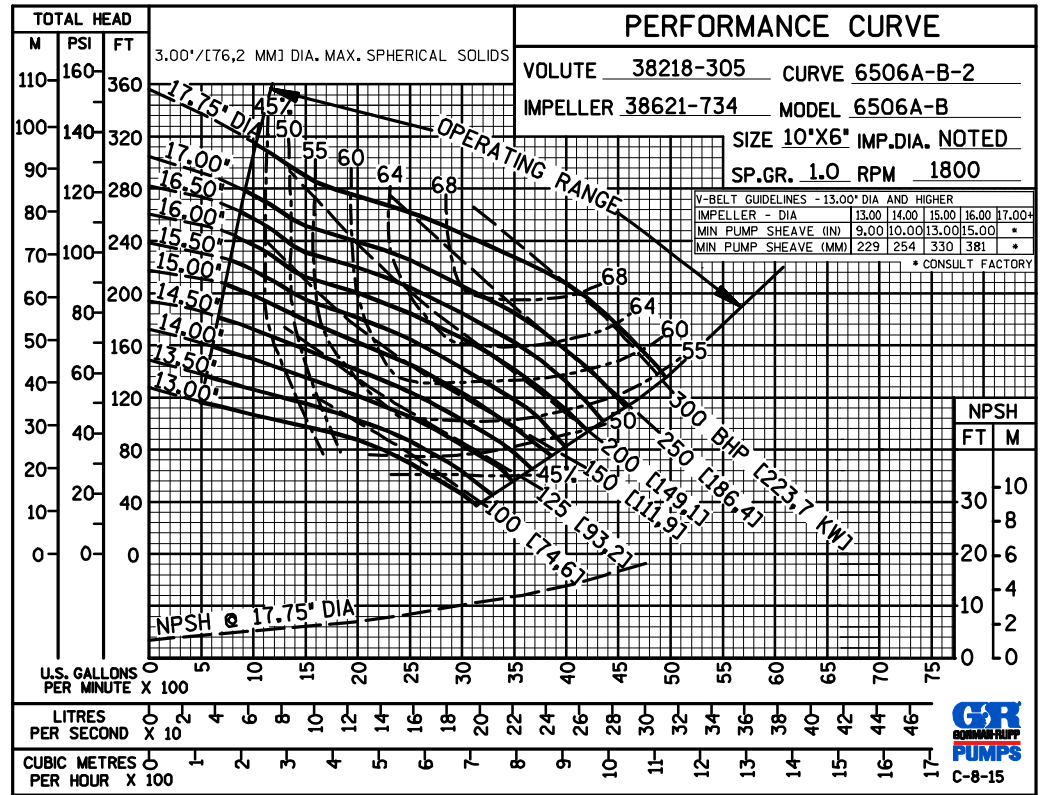
GORMAN-RUPP PUMPS

www.grpumps.com

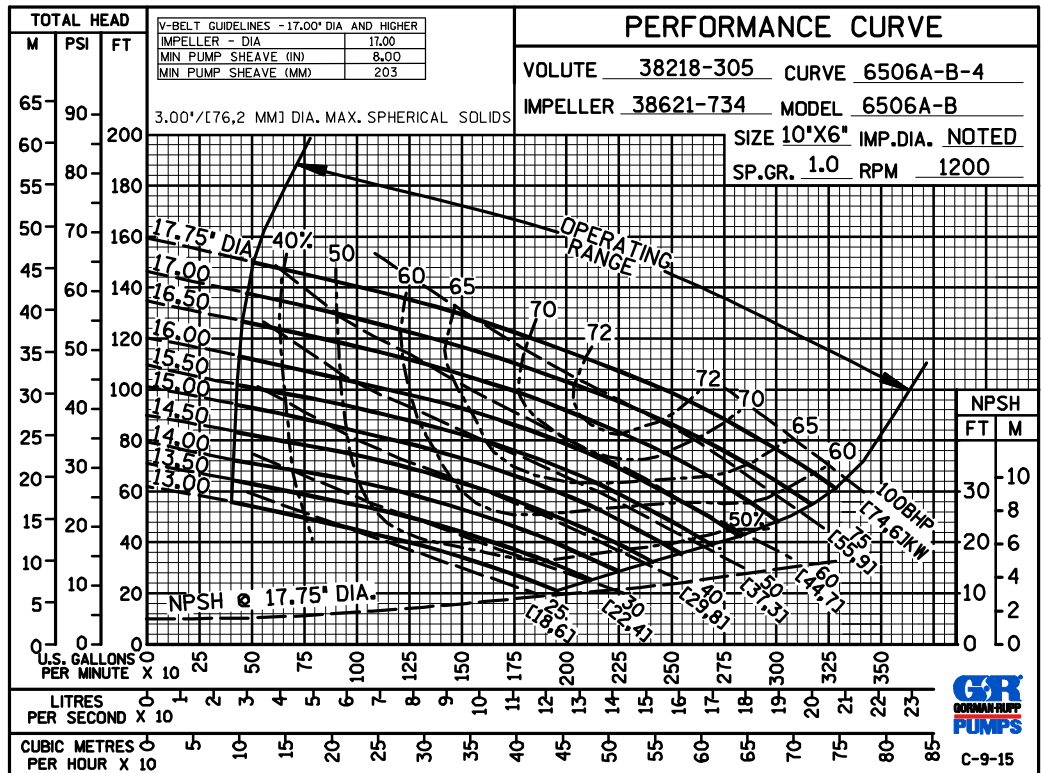
Specifications Subject to Change Without Notice

Printed in U.S.A.

60 HERTZ
PERFORMANCE
BASED ON
WATER
TRIMMED
IMPELLER



60 HERTZ
PERFORMANCE
BASED ON
WATER
TRIMMED
IMPELLER



GORMAN-RUPP PUMPS

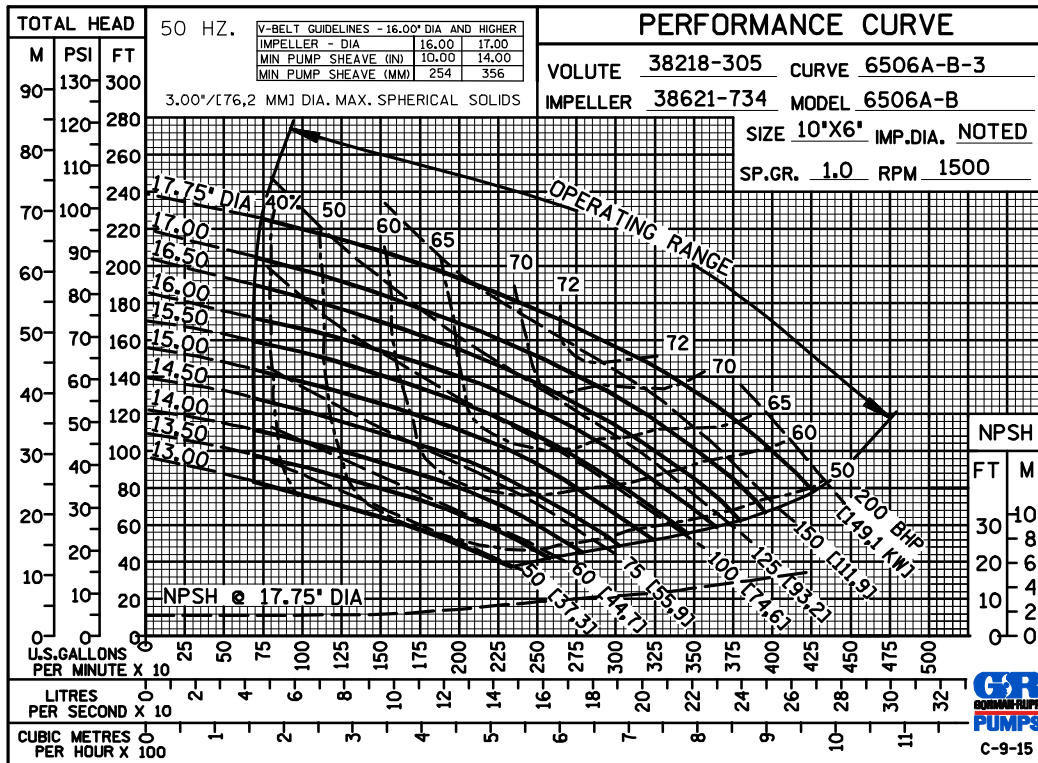


www.grpumps.com

Specifications Subject to Change Without Notice

Printed in U.S.A.

50 HERTZ
PERFORMANCE
BASED ON
WATER
TRIMMED
IMPELLER



GORMAN-RUPP PUMPS

www.grpumps.com

Specifications Subject to Change Without Notice

Printed in U.S.A.