

Basic Pedestal

ACE

Self Priming Centrifugal Pump



Model 84A2-B

Size 4" x 4"

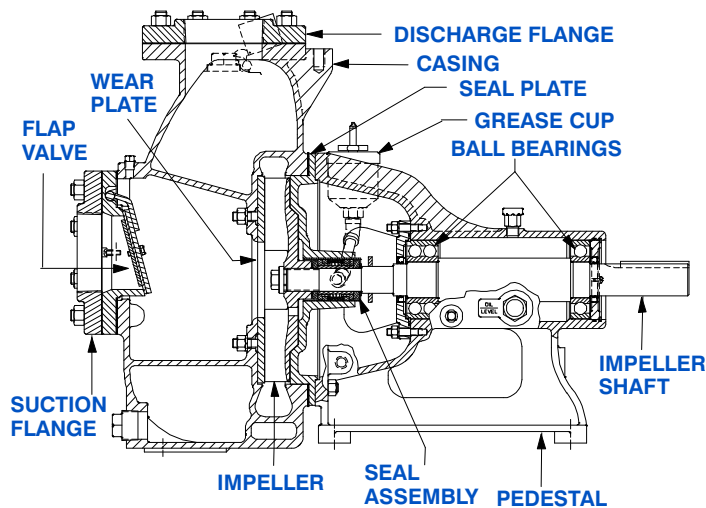
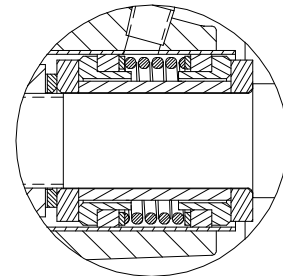
PUMP SPECIFICATIONS

Size: 4" x 4" (102 mm x 102 mm) NPT - Female.**Casing:** Gray Iron 30.

Maximum Operating Pressure 82 psi (565 kPa).*

Semi-Open Type, Three Vane Impeller: Gray Iron 30.

Handles 1 1/8" (28,7 mm) Diameter Spherical Solids.

Impeller Shaft: Alloy Steel 4150.**Replaceable Wear Plate:** Carbon Steel 1015.**Pedestal:** Gray Iron 30.**Seal Plate:** Gray Iron 30.**Seal Liner:** Copper Alloy C26000.**Flap Valve:** Neoprene and Steel.**Radial Bearing:** Open Single Row Ball.**Thrust Bearing:** Open Double Row Ball.**Bearing Lubrication:** SAE 30 Non-Detergent Oil.**Suction Flange:** Gray Iron 30.**Gaskets:** Vegetable Fiber.**O-Rings:** Buna-N**Hardware:** Standard Plated Steel and Stainless Steel.**Oil Level Sight Gauge.****Strainer.****Optional Equipment:** 120/240 Volt Casing Heater. ASA Suction and Discharge Spool Flange Kit. DIN 2527 (PN 16) Suction and Discharge Spool Flange Kit.**Consult Factory for Applications Exceeding Maximum Pressure and/or Temperature Indicated.***SEAL DETAIL** Double, Grease Lubricated with Spring-Loaded Grease Cup. Sintered Bronze Stationary Seal Seats. Steel Rotating Faces. Neoprene Packing Rings. Maximum Temperature of Liquid Pumped, 110°F (43°C). Maximum Suction Pressure 10 psi (69 kPa).*

THE GORMAN-RUPP COMPANY • MANSFIELD, OHIO

GORMAN-RUPP OF CANADA LIMITED • ST. THOMAS, ONTARIO, CANADA

www.grpumps.com

Specifications Subject to Change Without Notice

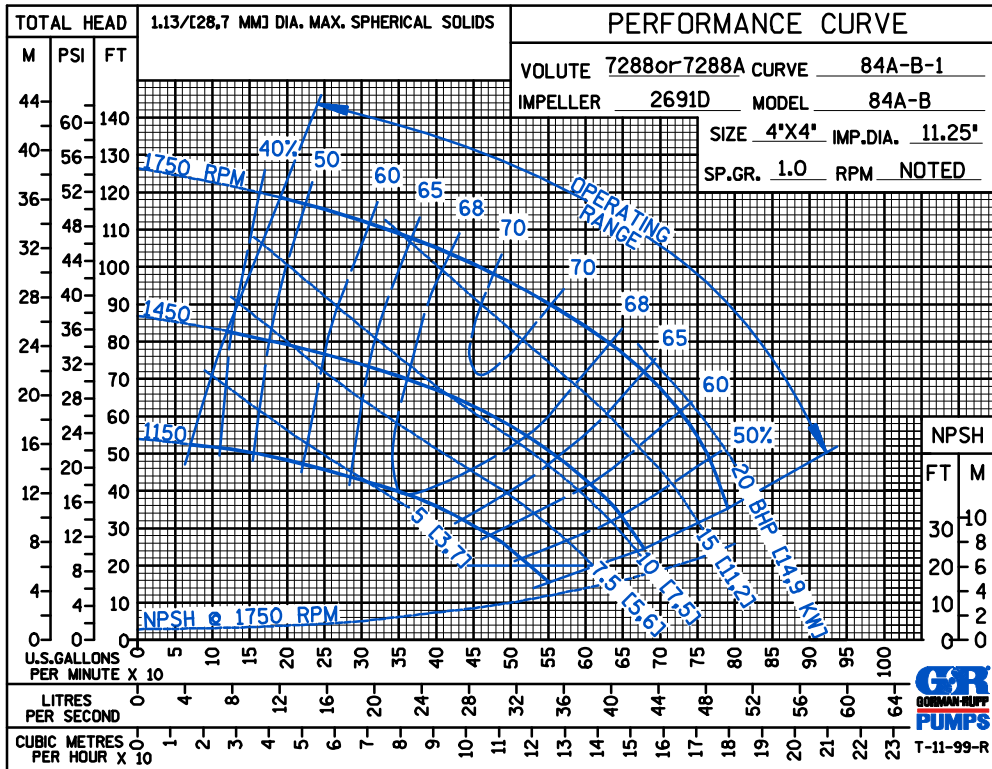
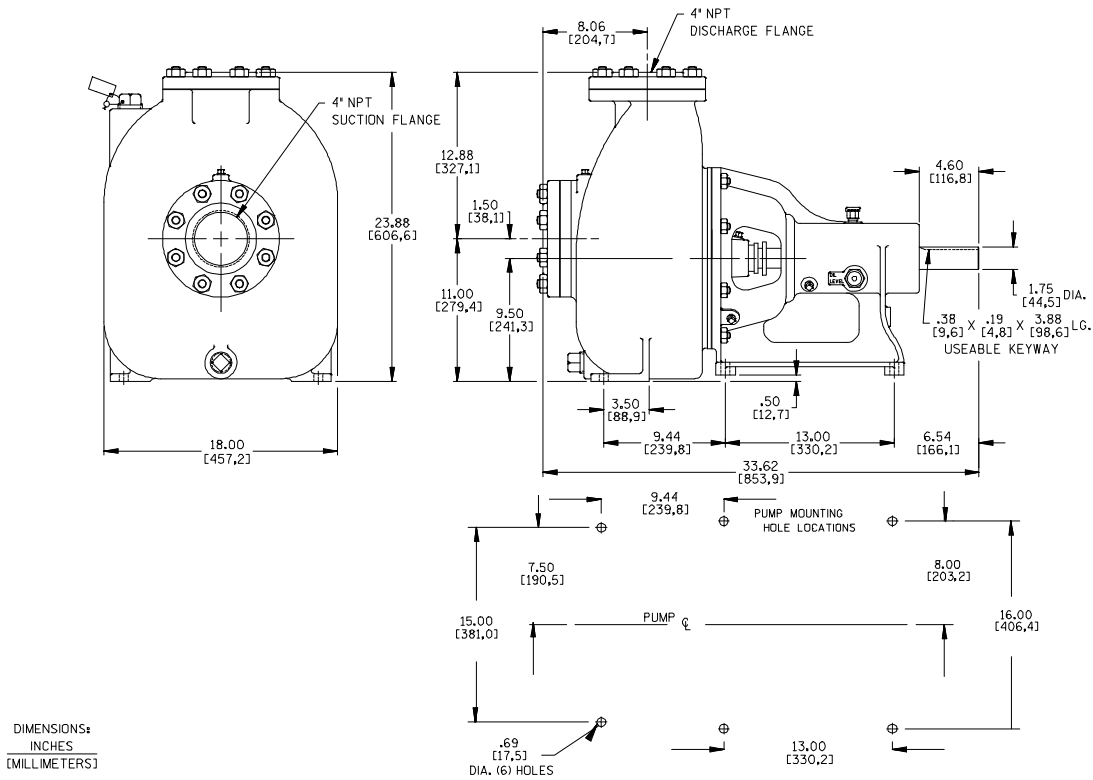
Printed in U.S.A.

Specification Data

SECTION 50, PAGE 1800

APPROXIMATE
DIMENSIONS and WEIGHTS

NET WEIGHT: 418 LBS. (190 KG.)
SHIPPING WEIGHT: 450 LBS. (204 KG.)
EXPORT CRATE: 18 CU. FT. (0,5 CU. M.)



THE GORMAN-RUPP COMPANY • MANSFIELD, OHIO

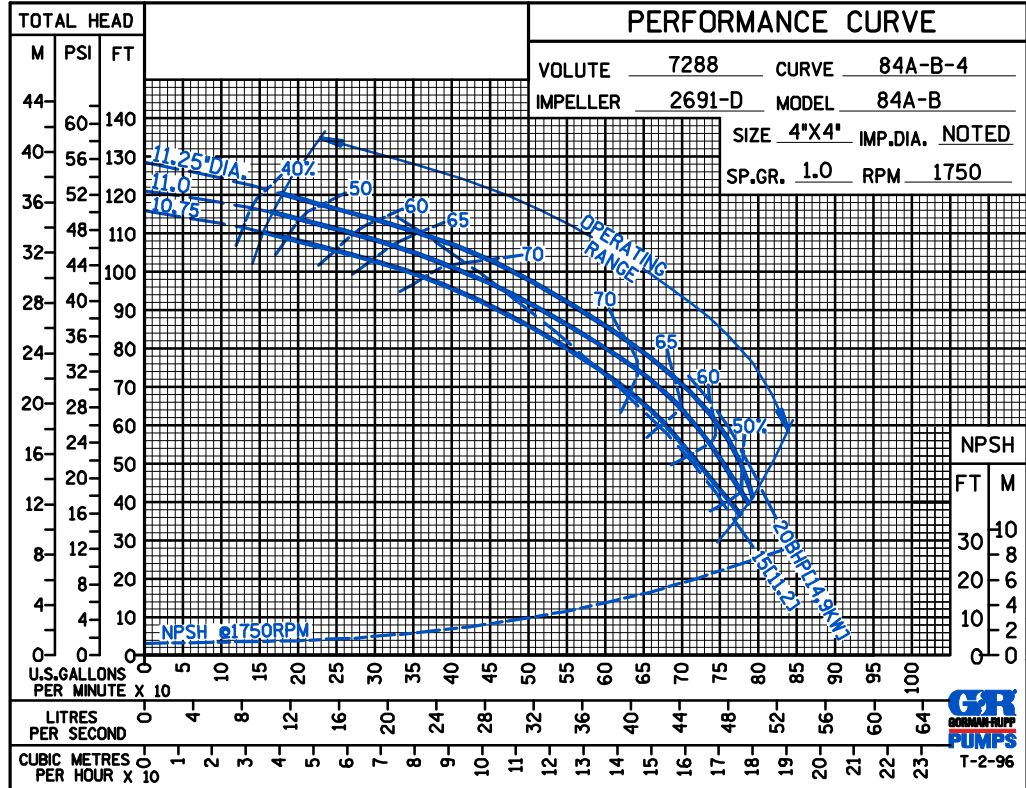
GORMAN-RUPP OF CANADA LIMITED • ST. THOMAS, ONTARIO, CANADA

Specifications Subject to Change Without Notice

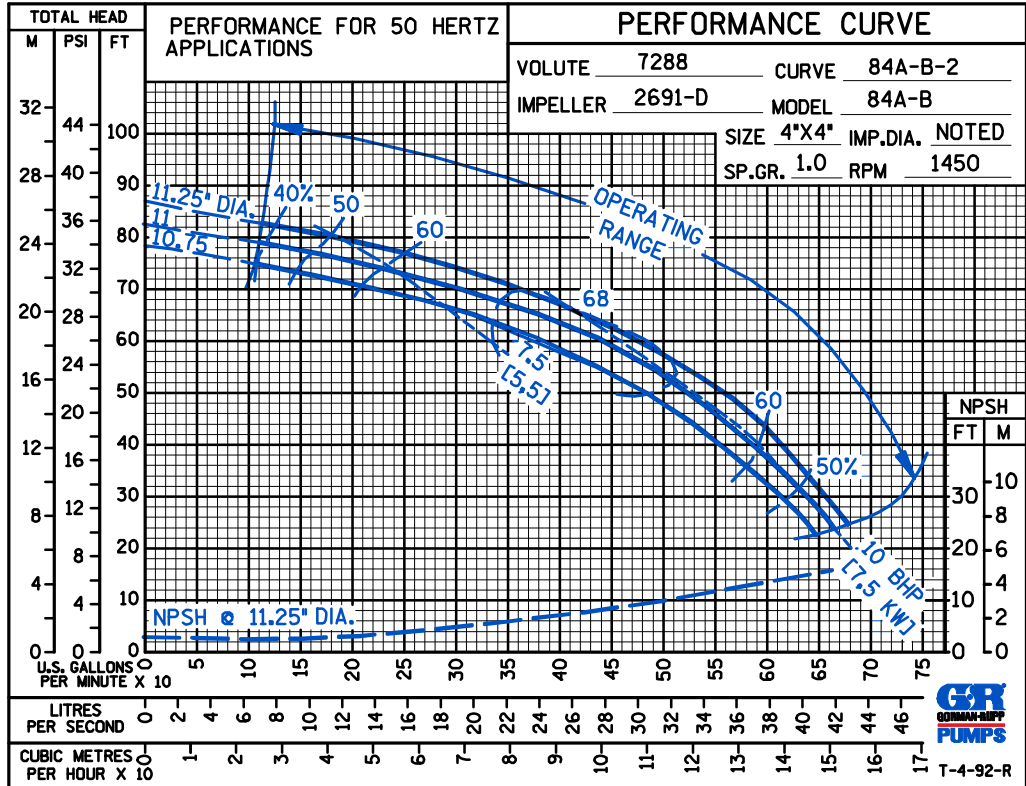
Printed in U.S.A.

ACE

TRIMMED
IMPELLER



50 HERTZ
PERFORMANCE
BASED ON
WATER



THE GORMAN-RUPP COMPANY • MANSFIELD, OHIO

GORMAN-RUPP OF CANADA LIMITED • ST. THOMAS, ONTARIO, CANADA

Specifications Subject to Change Without Notice

Printed in U.S.A.