

Basic Pedestal

A B C D E

# Self Priming Centrifugal Pump

## Models 84A3-B and 84A52-B

### Size 4" x 4"

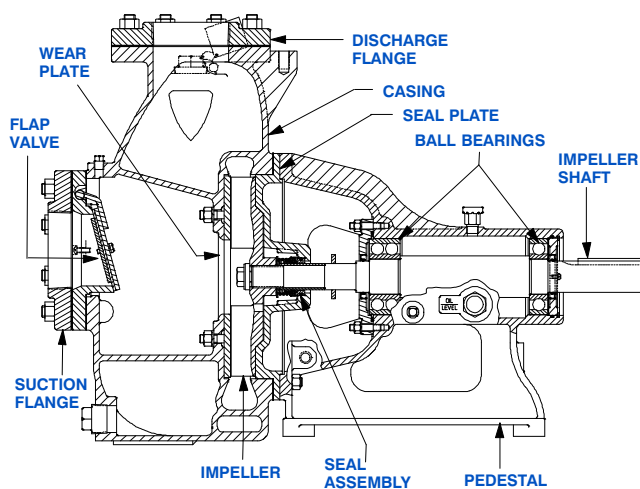


**PUMP SPECIFICATIONS**

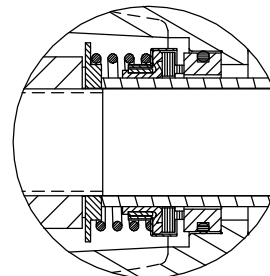
- Size:** 4" x 4" (102 mm x 102 mm) NPT - Female.
- Casing:** Gray Iron 30.  
Maximum Operating Pressure 82 psi (565 kPa)\*.
- Semi-Open Type, Three Vane Impeller:** Gray Iron 30.  
Handles 1 1/8" (28,7 mm) Diameter Spherical Solids.
- Impeller Shaft:** Alloy Steel 4150.
- Replaceable Wear Plate:** Carbon Steel 1015.
- Pedestal:** Gray Iron 30.
- Seal Plate:** Gray Iron 30.
- Shaft Sleeve:** Alloy Steel 4130.
- Flap Valve:** Buna-N and Steel.
- Radial Bearings:** Open Single Row Ball.
- Thrust Bearings:** Open Double Row Ball.
- Bearing Lubrication:** SAE 30 Non-Detergent Oil.
- Flanges:** Gray Iron 30.
- Gaskets:** Cork.
- O-Rings:** Buna-N
- Hardware:** Standard Plated Steel and Stainless Steel.
- Oil Level Sight Gauge.**
- Optional Equipment:** Consult Factory.



*\*Consult Factory for Applications Exceeding Maximum Pressure and/or Temperature Indicated.*

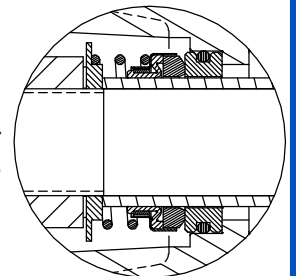


84A3-B SHOWN



**84A3-B SEAL DETAIL** Type 21, Mechanical, Self-Lubricated. Carbon Rotating Face. Ni-Resist Stationary Face. Fluorocarbon Elastomers (DuPont Viton® or Equivalent). Stainless Steel 18-8 Cage and Spring. Maximum Temperature of Liquid Pumped, 160°F (71 °C).\*

**84A52-B SEAL DETAIL** Type 31, Mechanical, Self-Lubricated. Silicon Carbide Rotating and Stationary Faces. Fluorocarbon Elastomers (DuPont Viton® or Equivalent). Stainless Steel 18-8 Cage and Spring. Maximum Temperature of Liquid Pumped 160°F (71 °C).\*



THE GORMAN-RUPP COMPANY • MANSFIELD, OHIO

GORMAN-RUPP OF CANADA LIMITED • ST. THOMAS, ONTARIO, CANADA

www.grpumps.com

Specifications Subject to Change Without Notice

Printed in U.S.A.

**Specification Data**

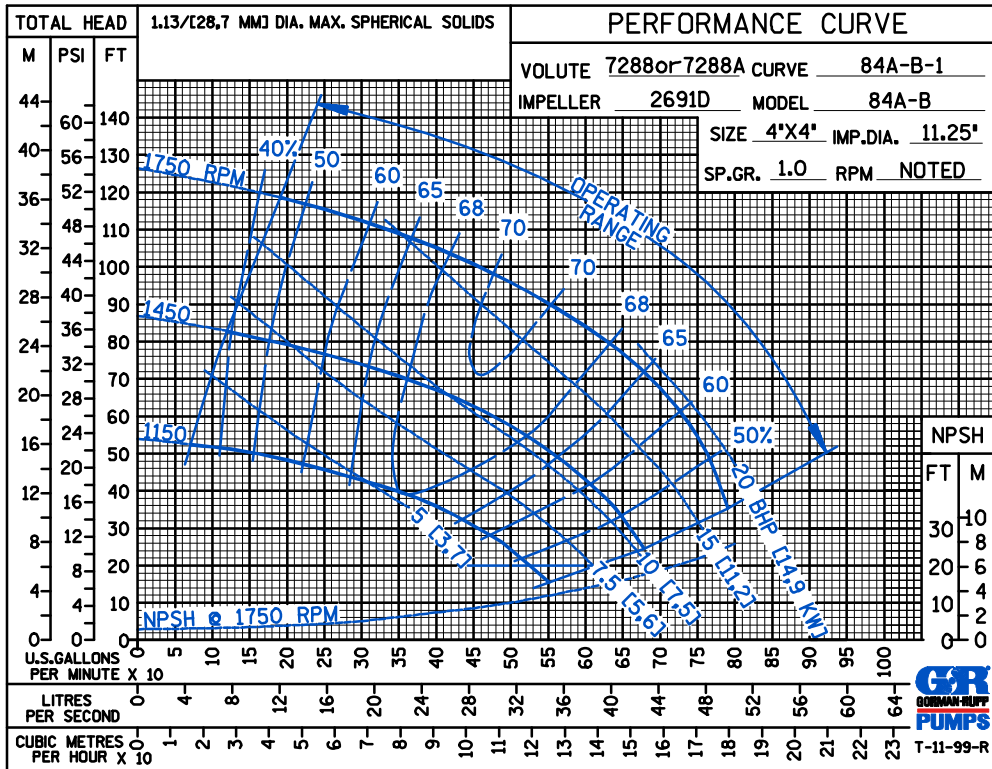
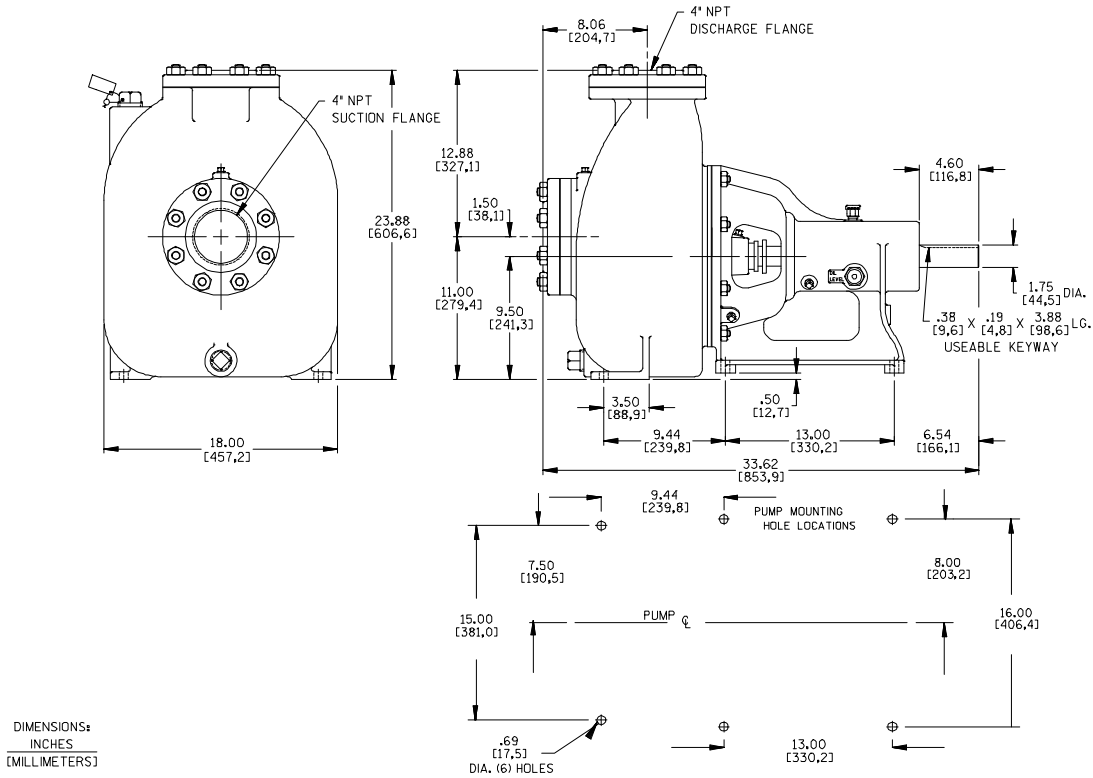
SECTION 50, PAGE 1801

APPROXIMATE  
DIMENSIONS and WEIGHTS

**NET WEIGHT: 429 LBS. (160 KGS.)**

**SHIPPING WEIGHT: 444 LBS. (166 KGS.)**

**EXPORT CRATE: 18 CU. FT. (0,51 CU. M.)**



THE GORMAN-RUPP COMPANY • MANSFIELD, OHIO

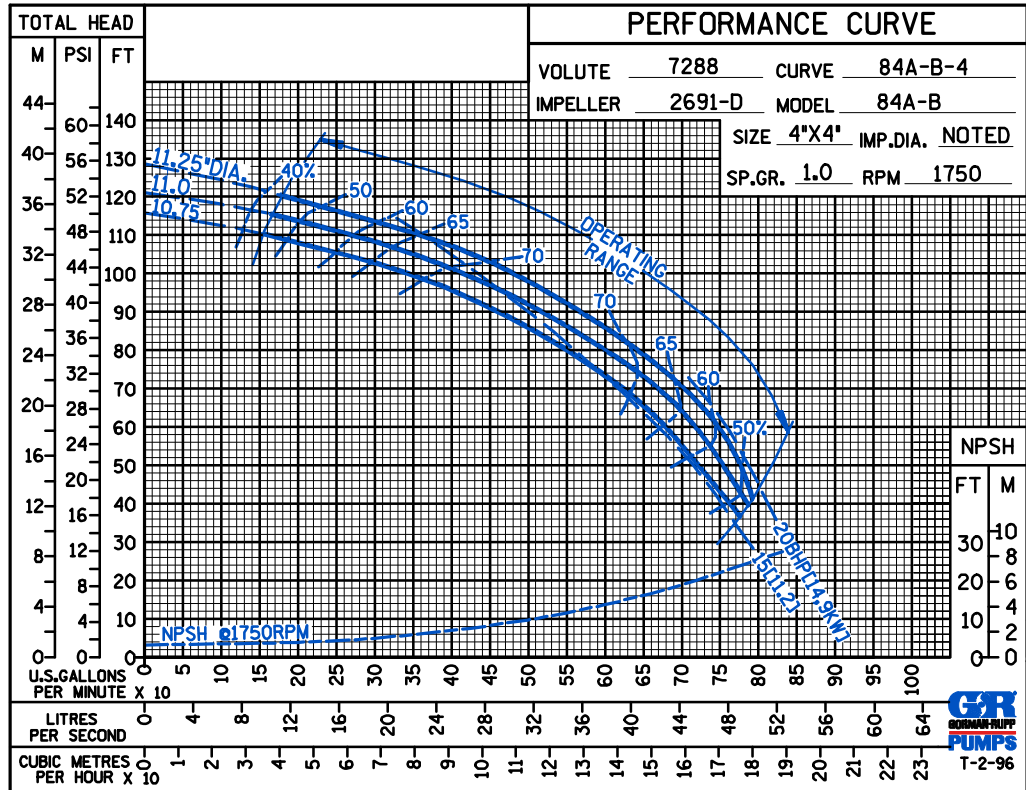
GORMAN-RUPP OF CANADA LIMITED • ST. THOMAS, ONTARIO, CANADA

Specifications Subject to Change Without Notice

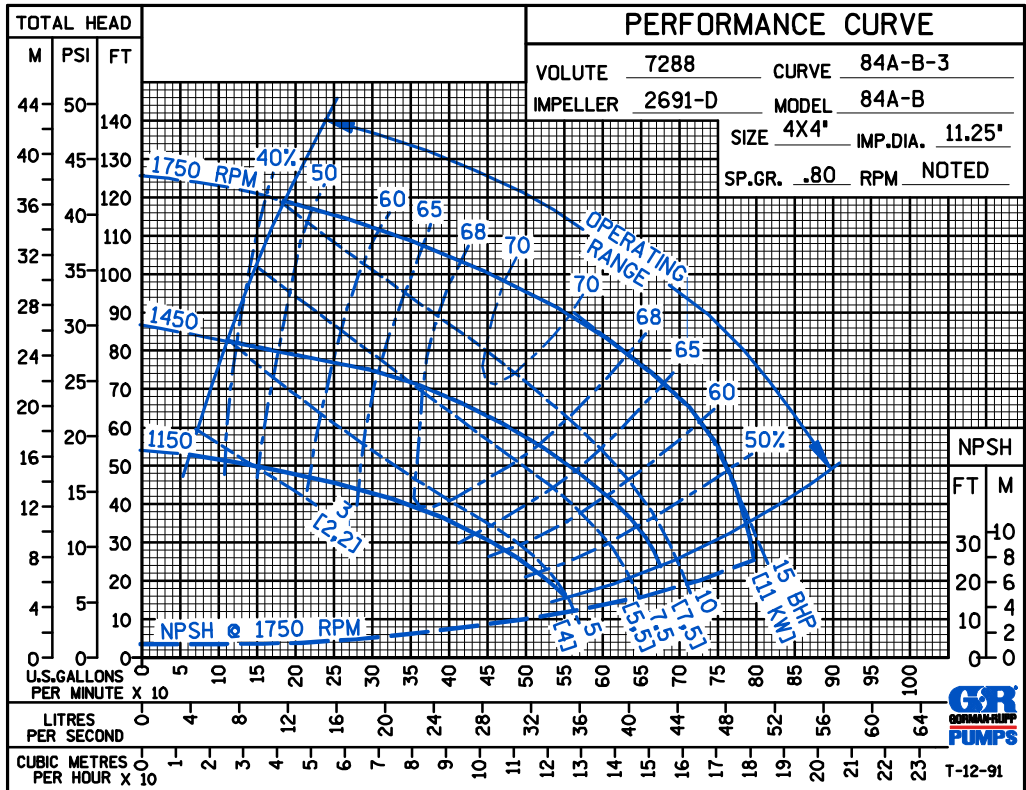
Printed in U.S.A.

A B C D E

TRIMMED  
IMPELLER



PERFORMANCE  
BASED ON  
PETROLEUM



THE GORMAN-RUPP COMPANY • MANSFIELD, OHIO

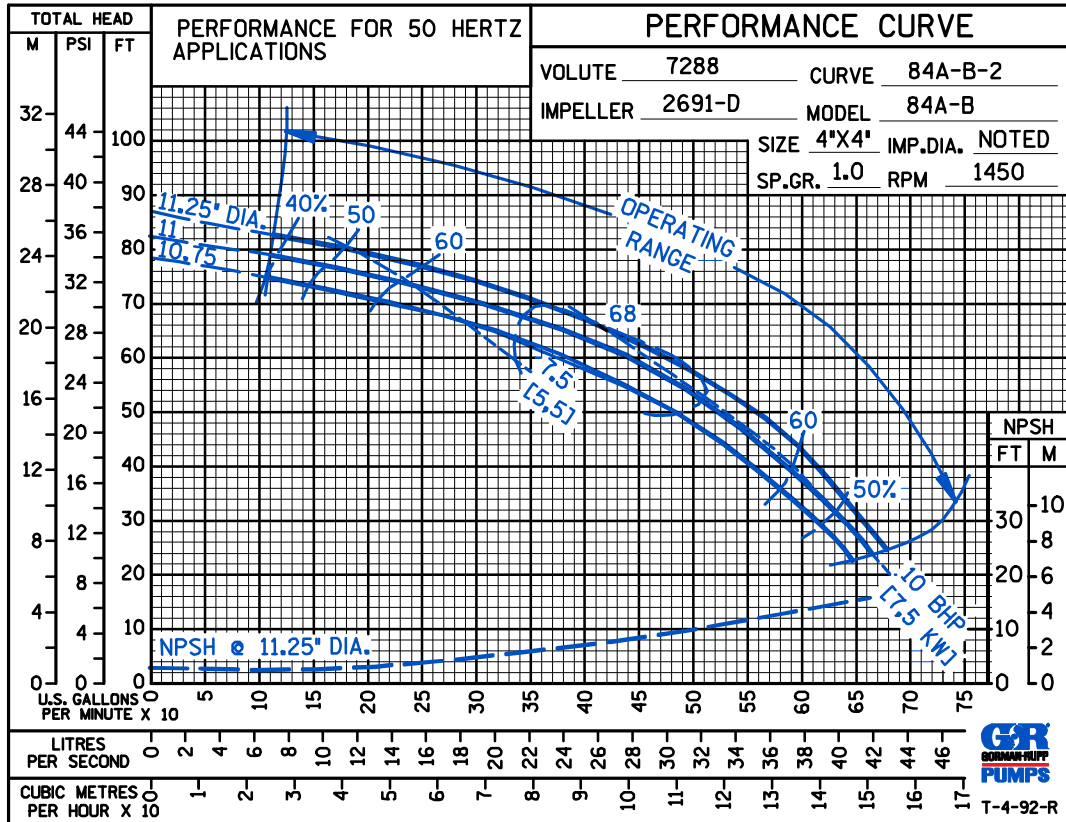
GORMAN-RUPP OF CANADA LIMITED • ST. THOMAS, ONTARIO, CANADA

Specifications Subject to Change Without Notice

Printed in U.S.A.

A B C D E

50 HERTZ  
PERFORMANCE  
BASED ON  
WATER



THE GORMAN-RUPP COMPANY • MANSFIELD, OHIO

GORMAN-RUPP OF CANADA LIMITED • ST. THOMAS, ONTARIO, CANADA

Specifications Subject to Change Without Notice

Printed in U.S.A.