

A C E

Basic Pedestal



Self Priming Centrifugal Pump

Models 83C2-B and 83C20-B

Size 3" x 3"

PUMP SPECIFICATIONS

Size: 3" x 3" (76 mm x 76 mm) NPT - Female.**Casing:** Gray Iron 30.

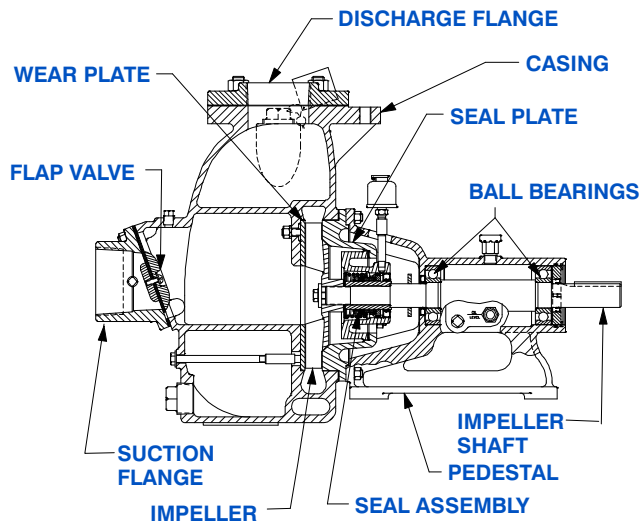
Maximum Operating Pressure 85 psi (586 kPa).*

Semi-Open Type, Four Vane Impeller: Gray Iron 30.

Handles 7/8" (22,4 mm) Diameter Spherical Solids.

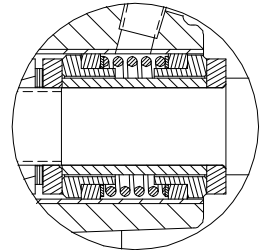
Impeller Shaft: Carbon Steel 1045.**Replaceable Wear Plate:** Carbon Steel 1026.**Pedestal:** Gray Iron 30.**Seal Plate:** Gray Iron 30.**Seal Liner (83C2-B):** Copper Alloy C26000.**Shaft Sleeve (83C20-B):** Alloy Steel 4150.**Flap Valve:** Buna-N w/Nylon Reinforcement and Gray Iron 30.**Radial and Thrust Bearings:** Single Open Row Ball.**Bearing Lubrication:** SAE 30 Non-Detergent Oil.**Flanges:** Gray Iron 30.**Gaskets:** Vegetable Fiber.**Hardware:** Standard Plated Steel.**Oil Level Sight Gauge.****Optional Equipment:** Strainer.

Consult Factory for Additional Options.

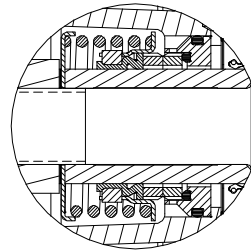
Consult Factory for Applications Exceeding Maximum Pressure and/or Temperature Indicated.****WARNING!*Do not use in explosive atmosphere or for pumping volatile flammable liquids.**

83C20-B SHOWN

83C2-B SEAL DETAIL Double, Grease Lubricated with Spring-Loaded Grease Cup. Sintered Bronze Stationary Seal Seats. Steel Rotating Faces. Maximum Temperature of Liquid Pumped, 110°F (43°C). Maximum Suction Pressure 10 psi (69 kPa).*

**83C20-B SEAL DETAIL**

Mechanical, Oil-Lubricated, Double Floating, Self-Aligning. Tungsten Titanium Carbide Rotating and Stationary Faces. Stainless Steel 316 Stationary Seat. Fluorocarbon Elastomers (DuPont Viton® or Equivalent). Stainless Steel 18-8 Cage and Spring. Maximum Temperature of Liquid Pumped, 160°F (71°C).*



THE GORMAN-RUPP COMPANY • MANSFIELD, OHIO

GORMAN-RUPP OF CANADA LIMITED • ST. THOMAS, ONTARIO, CANADA

www.grpumps.com

Specifications Subject to Change Without Notice

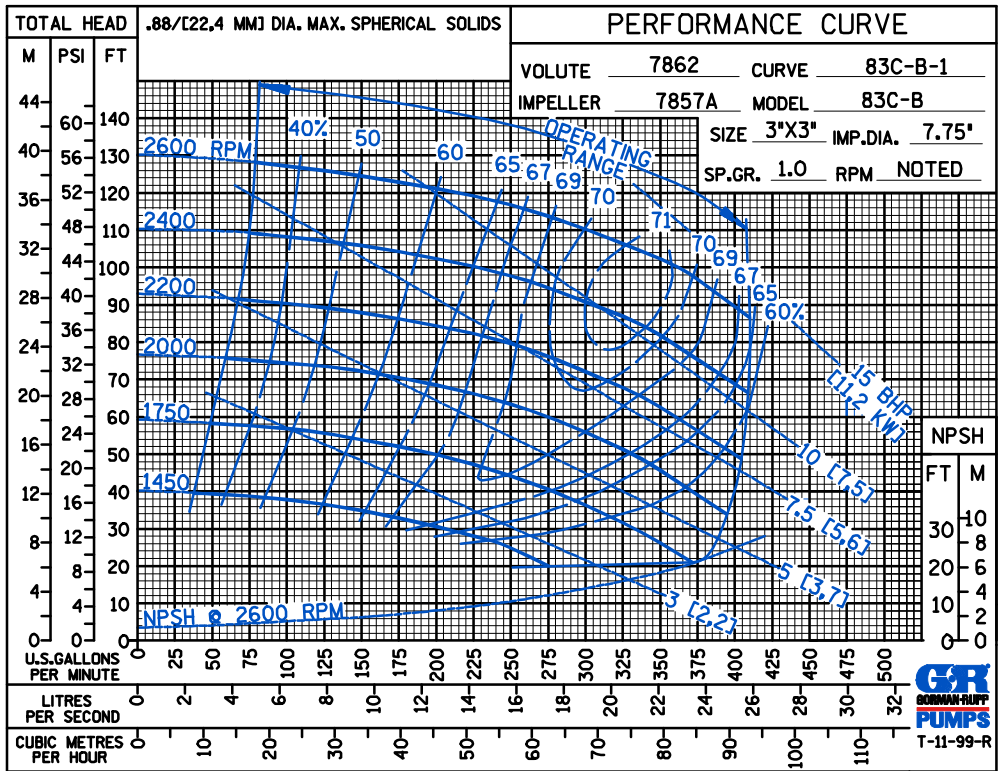
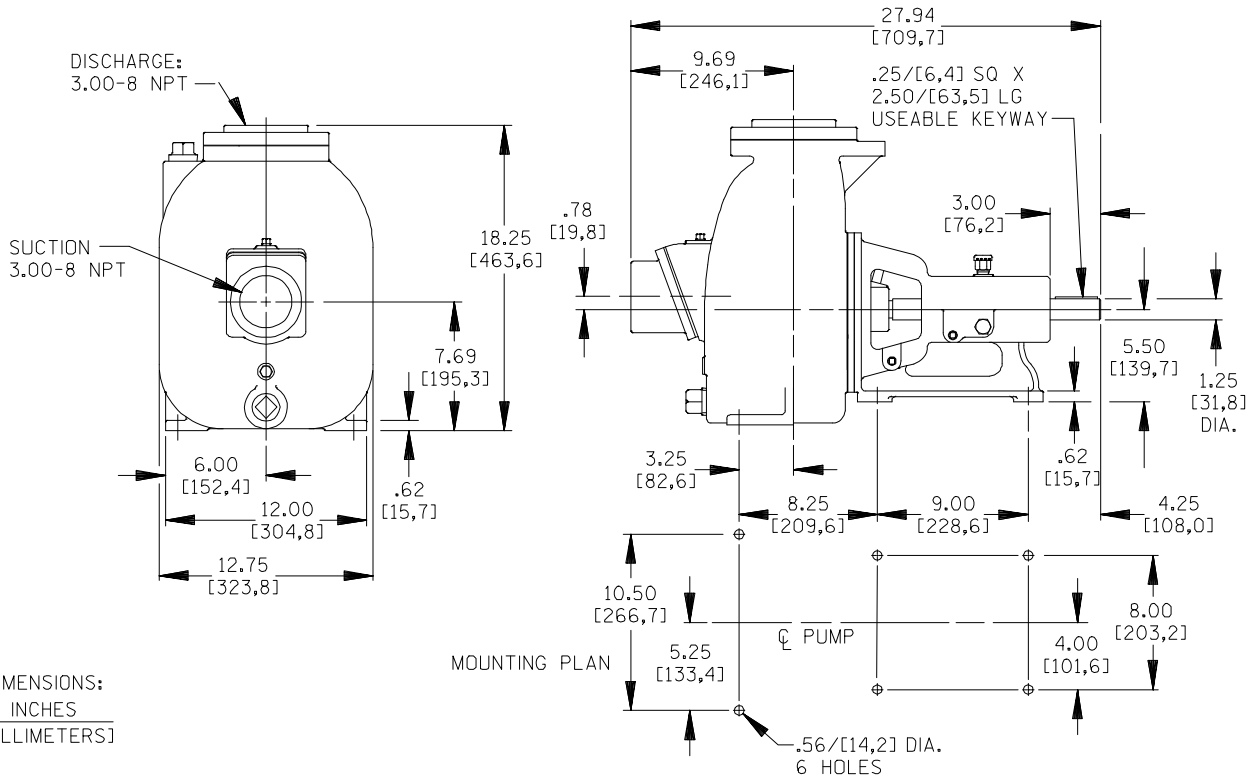
Printed in U.S.A.

Specification Data

SECTION 50, PAGE 1600

APPROXIMATE
DIMENSIONS and WEIGHTS

NET WEIGHT: 196 LBS. (88,9 KG.)
SHIPPING WEIGHT: 206 LBS. (93,4 KG.)
EXPORT CRATE: 7.9 CU. FT. (0,22 CU. M.)



THE GORMAN-RUPP COMPANY • MANSFIELD, OHIO

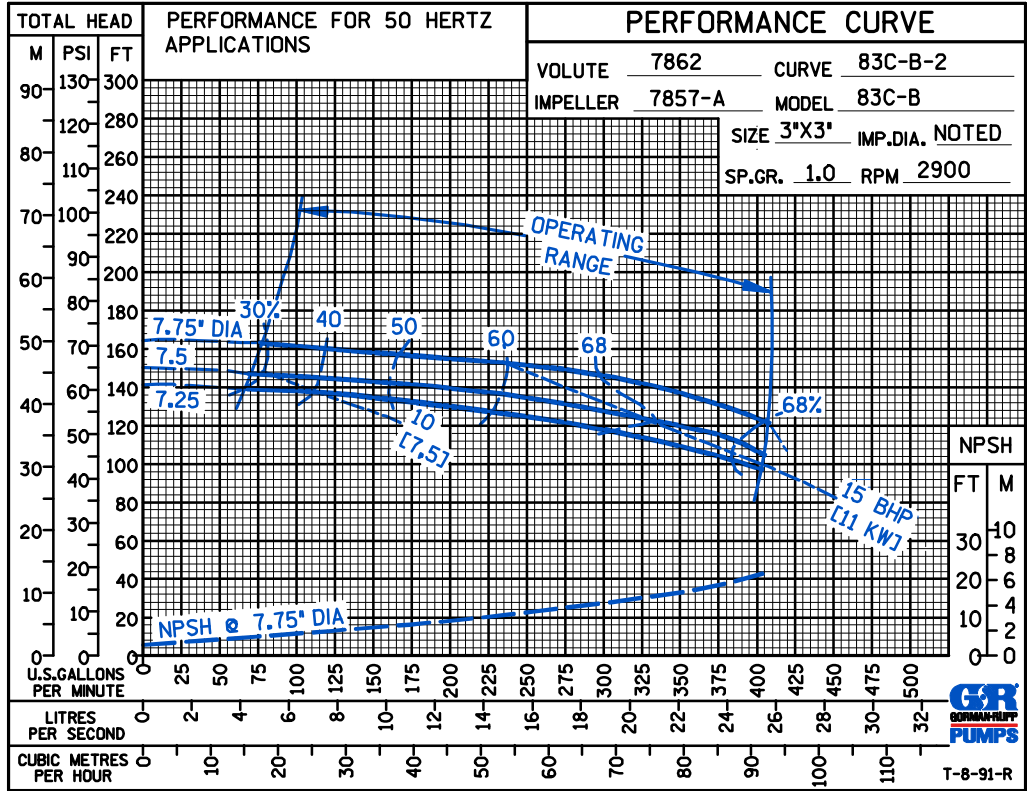
GORMAN-RUPP OF CANADA LIMITED • ST. THOMAS, ONTARIO, CANADA

Specifications Subject to Change Without Notice

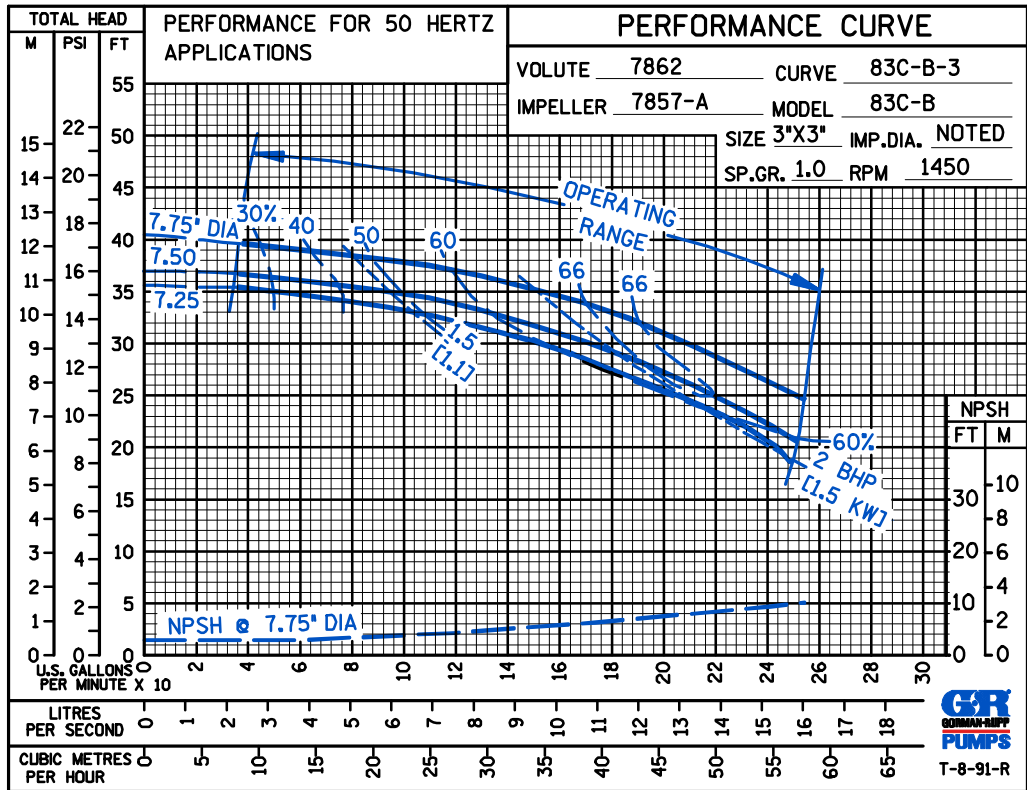
Printed in U.S.A.

ACE

50 HERTZ
PERFORMANCE
BASED ON
WATER



50 HERTZ
PERFORMANCE
BASED ON
WATER



THE GORMAN-RUPP COMPANY • MANSFIELD, OHIO

GORMAN-RUPP OF CANADA LIMITED • ST. THOMAS, ONTARIO, CANADA

Specifications Subject to Change Without Notice

Printed in U.S.A.