

A B C D E



# Self Priming Centrifugal Pump

## Models 84B3-B, 84B31-B and 84B52-B

### Size 4" x 4"

#### PUMP SPECIFICATIONS

**Size:** 4" x 4" (102 mm x 102 mm) NPT - Female.

**Casing:** (Models 84B3-B and 84B52-B) Gray Iron 30.  
(Model 84B31-B): Ductile Iron 65-45-12.

Maximum Operating Pressure 74 psi (510 kPa)\*.

**Semi-Open Type, Four Vane Impeller:** Gray Iron 30.  
Handles 1 1/4" (31,8 mm) Diameter Spherical Solids.

**Impeller Shaft:** Carbon Steel 1045.

**Replaceable Wear Plate:** Carbon Steel 1026.

**Pedestal:** Gray Iron 30.

**Seal Plate:** (Models 84B3-B and 84B52-B) Gray Iron 30.  
(Model 84B31-B): Ductile Iron 65-45-12.

**Shaft Sleeve:** Alloy Steel 4130.

**Flap Valve:** Buna-N and Carbon Steel.

**Radial Bearing:** Open Single Row Ball.

**Thrust Bearing:** Open Double Row Ball.

**Bearing Lubrication:** SAE 30 Non-Detergent Oil.

**Flanges:** Gray Iron 30.

**Gaskets:** Cork.

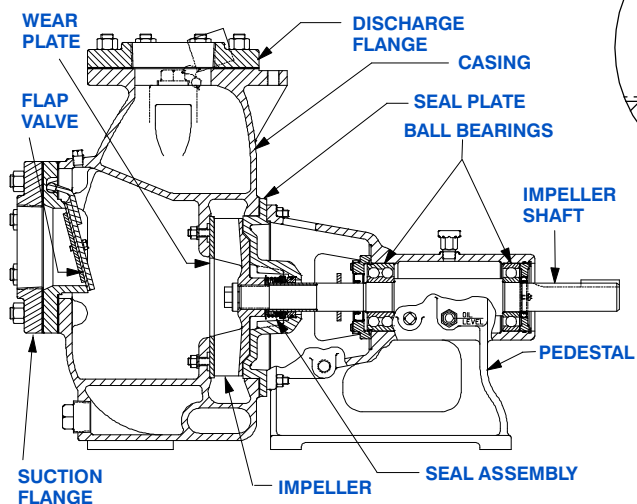
**O-Ring:** Buna-N.

**Hardware:** Standard Plated Steel.

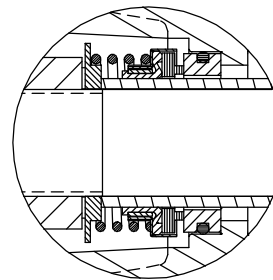
**Optional Equipment:** Strainer. 120V/240V Casing Heater.  
Gray Iron 30 Suction and Discharge Spool Flanges:  
4" ASA and 100 mm DIN 2527 (PN 16).



*\*Consult Factory for Applications Exceeding Maximum Pressure and/or Temperature Indicated.*



**84B52-B SHOWN**

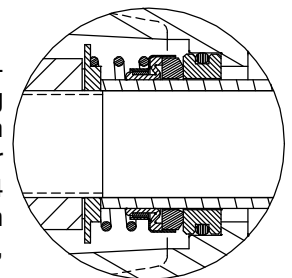


#### 84B3-B and 84B31-B SEAL DETAIL:

Type 21, Mechanical, Self-Lubricated. Carbon Rotating Face. Ni-Resist Stationary Face. Fluorocarbon Elastomers (DuPont Viton® or Equivalent). Stainless Steel 18-8 Cage and Spring. Maximum Temperature of Liquid Pumped, 160°F (71°C).\*

#### 84B52-B SEAL DETAIL:

Type 31, Mechanical, Self-Lubricated. Silicon Carbide Rotating and Stationary Faces. Fluorocarbon Elastomers (DuPont Viton® or Equivalent). Stainless Steel 304 Cage and Spring. Maximum Temperature of Liquid Pumped, 160°F (71°C).\*



THE GORMAN-RUPP COMPANY • MANSFIELD, OHIO

GORMAN-RUPP OF CANADA LIMITED • ST. THOMAS, ONTARIO, CANADA

www.grpumps.com

Specifications Subject to Change Without Notice

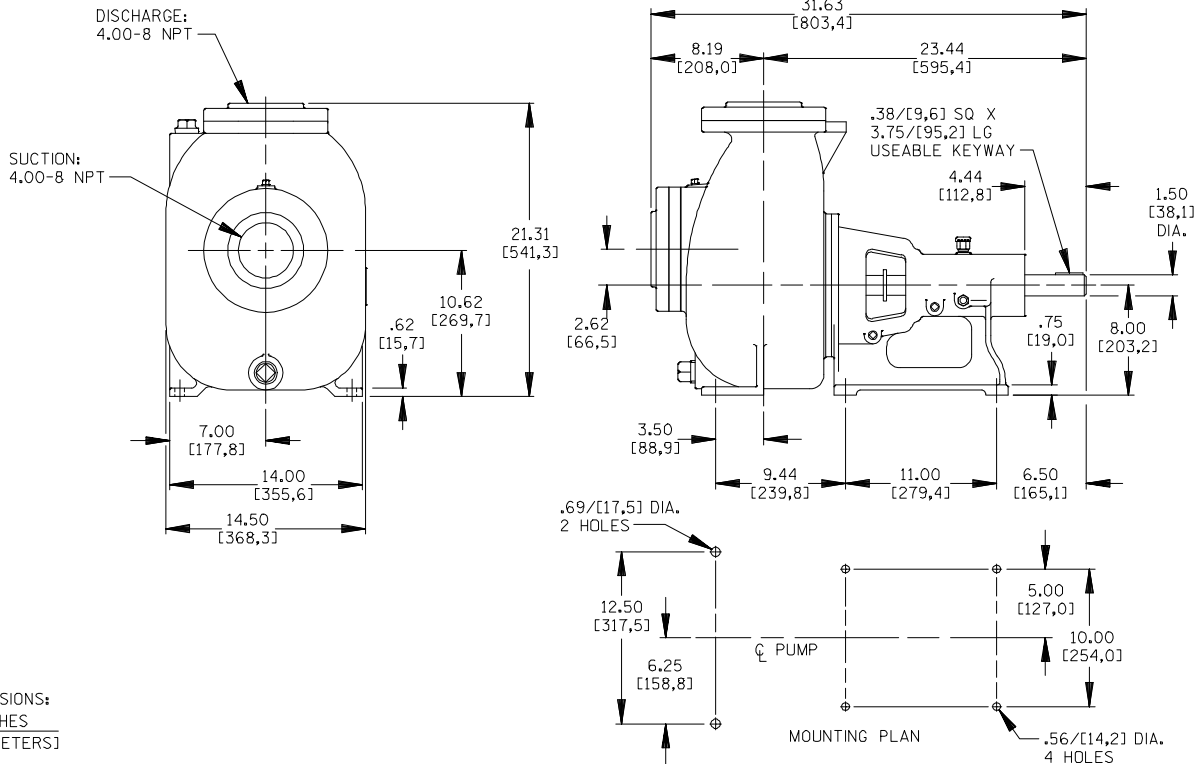
Printed in U.S.A.

# Specification Data

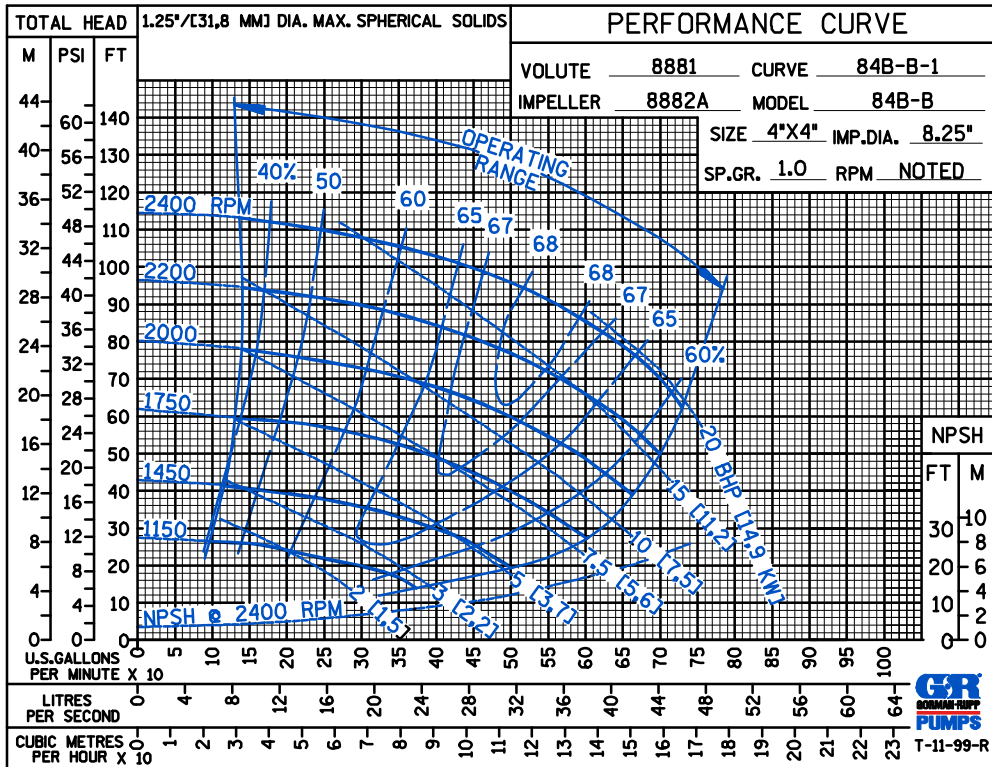
SECTION 50, PAGE 1701

APPROXIMATE  
DIMENSIONS and WEIGHTS

**NET WEIGHT:** 325 LBS. (147 KGS.)  
**SHIPPING WEIGHT:** 341 LBS. (155 KGS.)  
**EXPORT CRATE:** 18 CU. FT. (0,5 CU. M.)



DIMENSIONS:  
INCHES  
[MILLIMETERS]



THE GORMAN-RUPP COMPANY • MANSFIELD, OHIO

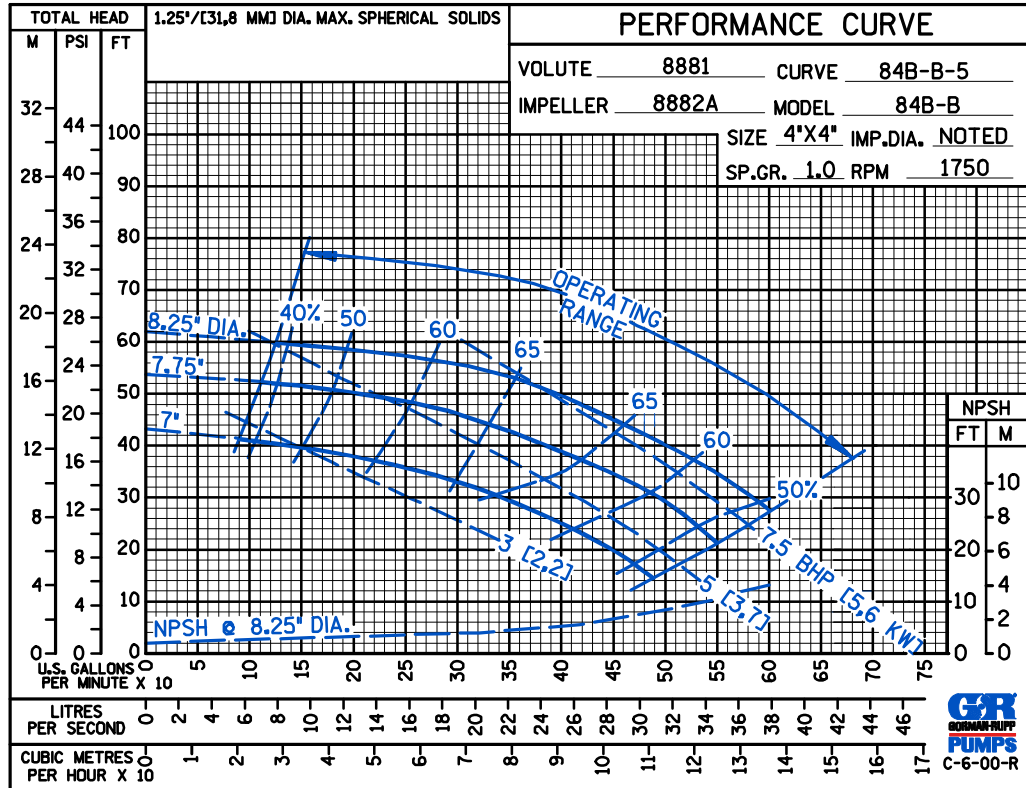
GORMAN-RUPP OF CANADA LIMITED • ST. THOMAS, ONTARIO, CANADA

Specifications Subject to Change Without Notice

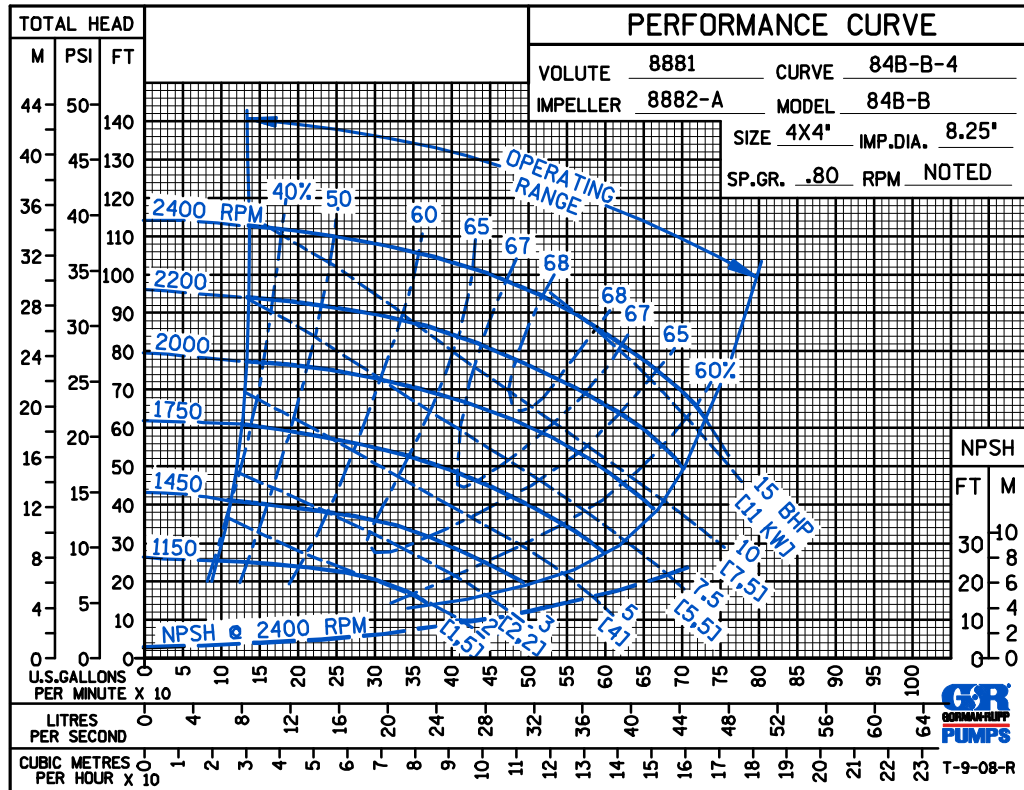
Printed in U.S.A.

A B C D E

TRIMMED  
IMPELLER



PERFORMANCE  
BASED ON  
PETROLEUM



THE GORMAN-RUPP COMPANY • MANSFIELD, OHIO

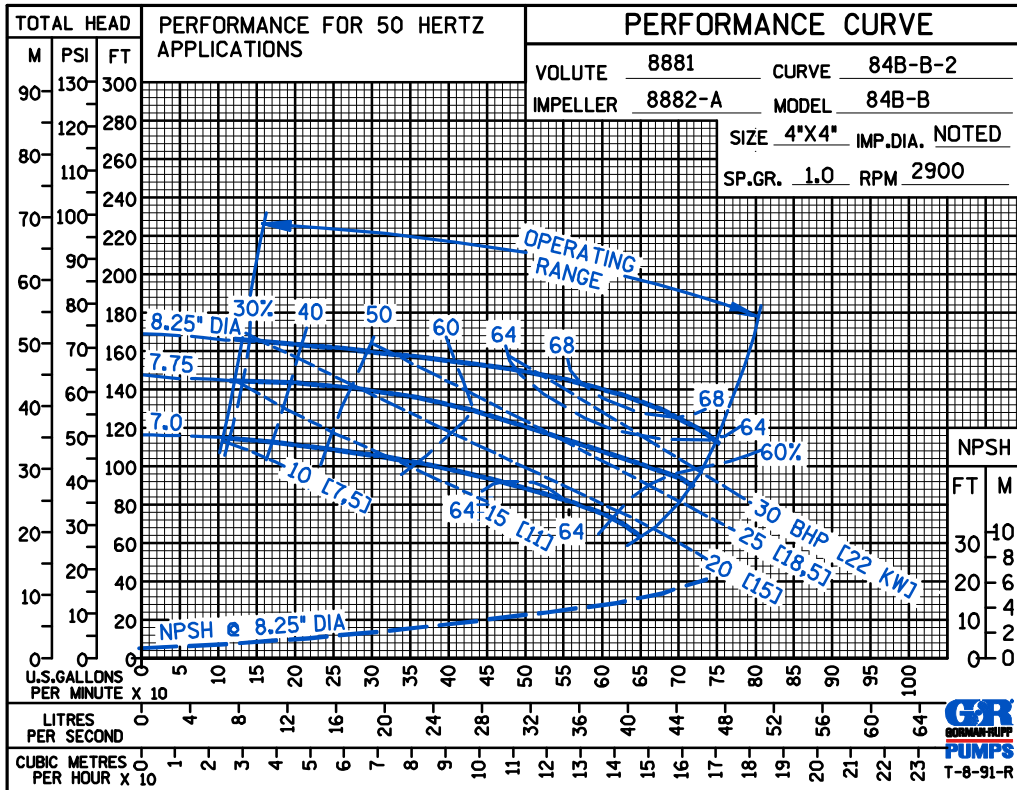
GORMAN-RUPP OF CANADA LIMITED • ST. THOMAS, ONTARIO, CANADA

Specifications Subject to Change Without Notice

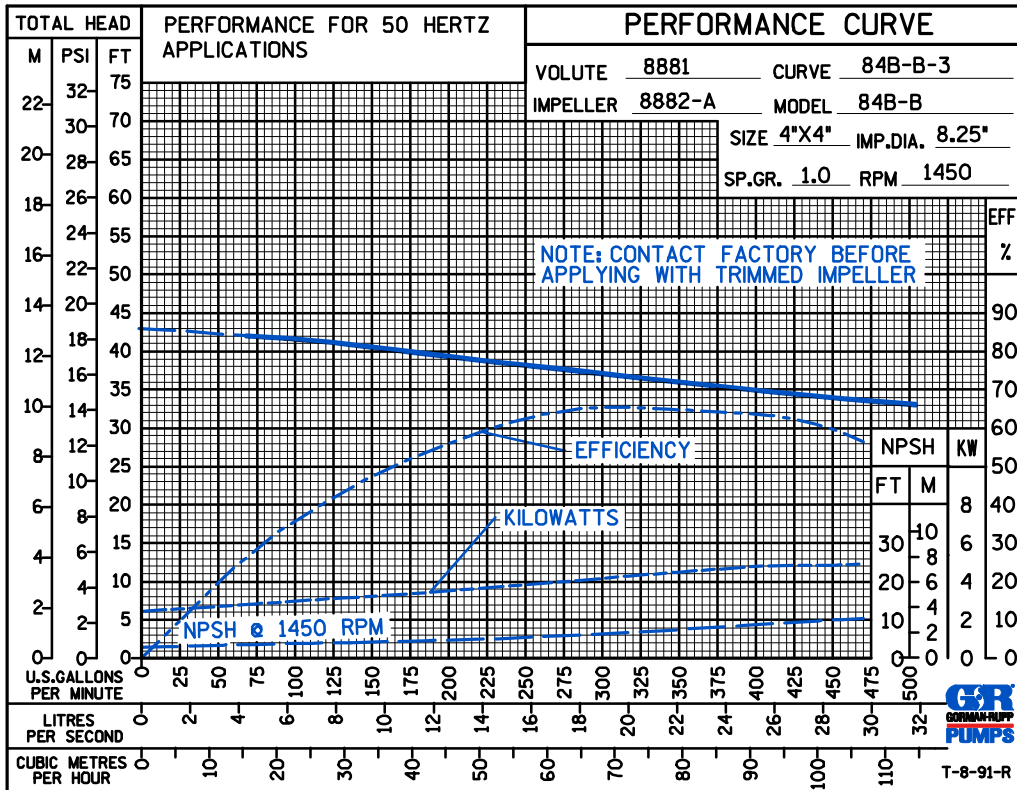
Printed in U.S.A.

A B C D E

50 HERTZ  
PERFORMANCE  
BASED ON  
WATER



50 HERTZ  
PERFORMANCE  
BASED ON  
WATER



THE GORMAN-RUPP COMPANY • MANSFIELD, OHIO

GORMAN-RUPP OF CANADA LIMITED • ST. THOMAS, ONTARIO, CANADA

Specifications Subject to Change Without Notice

Printed in U.S.A.