

ACE

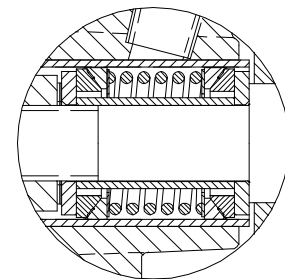
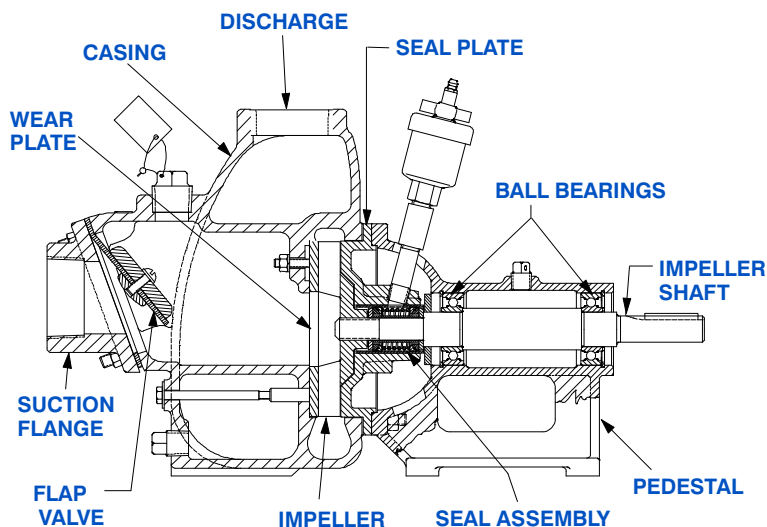
Self Priming Centrifugal Pump

**Model 82D2-B****Size 2" x 2"****PUMP SPECIFICATIONS****Size:** 2" x 2" (51 mm x 51 mm) NPT - Female.**Casing:** Gray Iron 30.

Maximum Operating Pressure 67 psi (462 kPa).*

Semi-Open Type, Three Vane Impeller: Gray Iron 30.

Handles 5/8" (15,8 mm) Diameter Spherical Solids.

Impeller Shaft: Carbon Steel 1215.**Replaceable Wear Plate:** Carbon Steel 1026.**Pedestal:** Gray Iron 30.**Seal Plate:** Gray Iron 30.**Seal Liner:** Copper Alloy C26000.**Flap Valve:** Steel, Gray Iron 30 and Buna-N ^w/Nylon Reinforcement.**Radial and Thrust Bearings:** Open Single Row Ball.**Bearing Lubrication:** Grease.**Suction Flange:** Gray Iron 30.**Gaskets:** Vegetable Fiber.**Hardware:** Standard Plated Steel.**Optional Equipment:** Strainer. 90° Ductile Iron Discharge Street Elbow. Consult Factory for Additional Options.**Consult Factory for Applications Exceeding Maximum Pressure and/or Temperature Indicated.***SEAL DETAIL** Double, Grease-Lubricated with Spring Loaded Grease Cup. Sintered Bronze Stationary Seal Seats. Steel Rotating Faces. Neoprene Packing Rings. Maximum Temperature of Liquid Pumped 110°F (43°C). Maximum Suction Pressure 10 psi (69 kPa).***THE GORMAN-RUPP COMPANY • MANSFIELD, OHIO**

GORMAN-RUPP OF CANADA LIMITED • ST. THOMAS, ONTARIO, CANADA

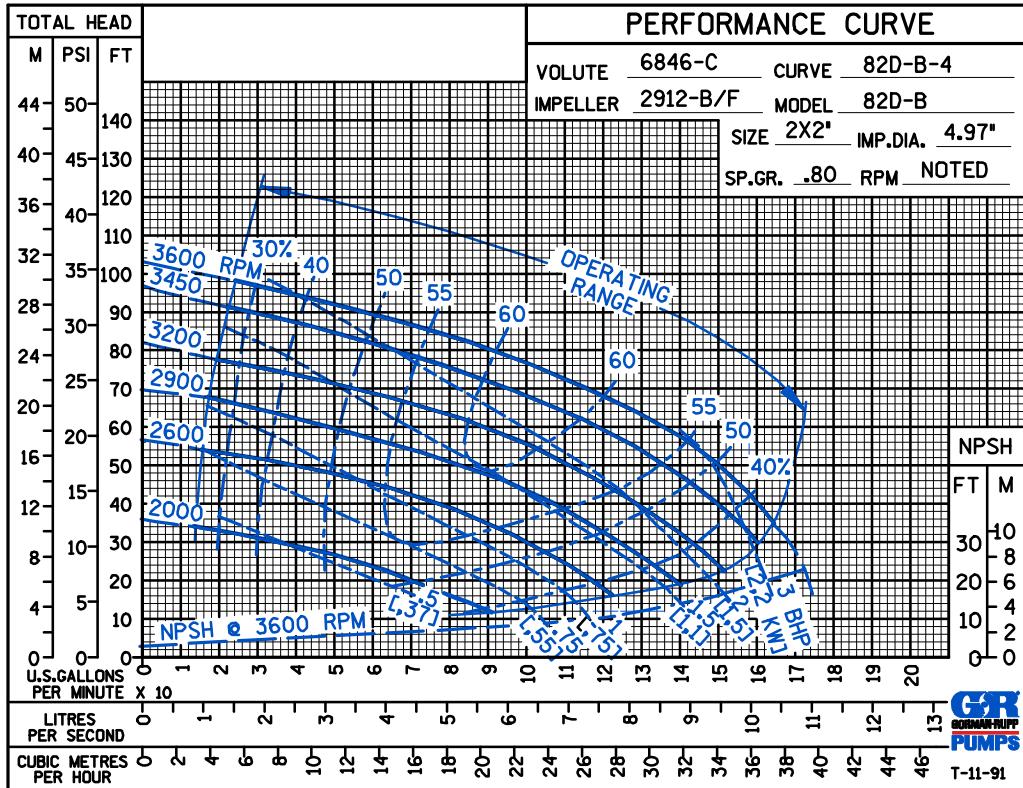
www.grpumps.com

Specifications Subject to Change Without Notice

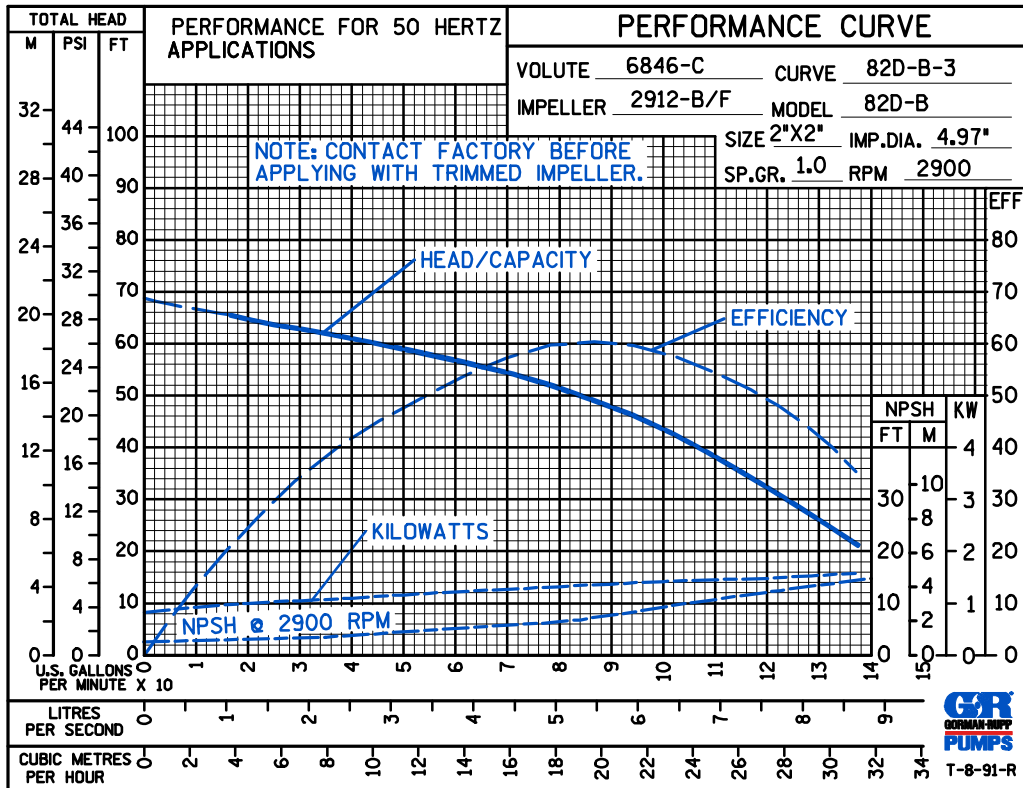
Printed in U.S.A.

A B C D E

PERFORMANCE
BASED ON
PETROLEUM



50 HERTZ



THE GORMAN-RUPP COMPANY • MANSFIELD, OHIO

GORMAN-RUPP OF CANADA LIMITED • ST. THOMAS, ONTARIO, CANADA

Specifications Subject to Change Without Notice

Printed in U.S.A.