



Self Priming Centrifugal Pump

Model 04B52-B

Size 4" x 4"

PUMP SPECIFICATIONS

Size: 4" x 4" (102 mm x 102 mm) NPT – Female.

Casing: Gray Iron 30.

Maximum Casing Pressure 260 psi (1793 kPa).*
Maximum Operating Pressure 250 psi (1723 kPa)
at Temperatures up to 100° F (37° C) Based on
System Component Limitations.*

Enclosed Type, Five Vane Impeller: Gray Iron 30.
Handles 1/2" (12,7 mm) Diameter Spherical Solids.

Impeller Shaft: Alloy Steel 4150.

Replaceable Wear Rings: Gray Iron 30.

Cleanout Cover: Gray Iron 30; 3 lbs. (1,3 kg.).

Pedestal: Gray Iron 30.

Pedestal Foot: Gray Iron 30.

Seal Plate: Gray Iron 30.

Shaft Sleeve: Alloy Steel 4130.

Radial Bearing: Open Single Row Ball.

Thrust Bearing: Open Double Row Ball.

Bearing Lubrication: SAE 30 Non-Detergent Oil.

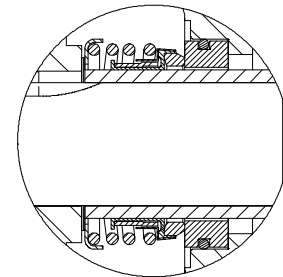
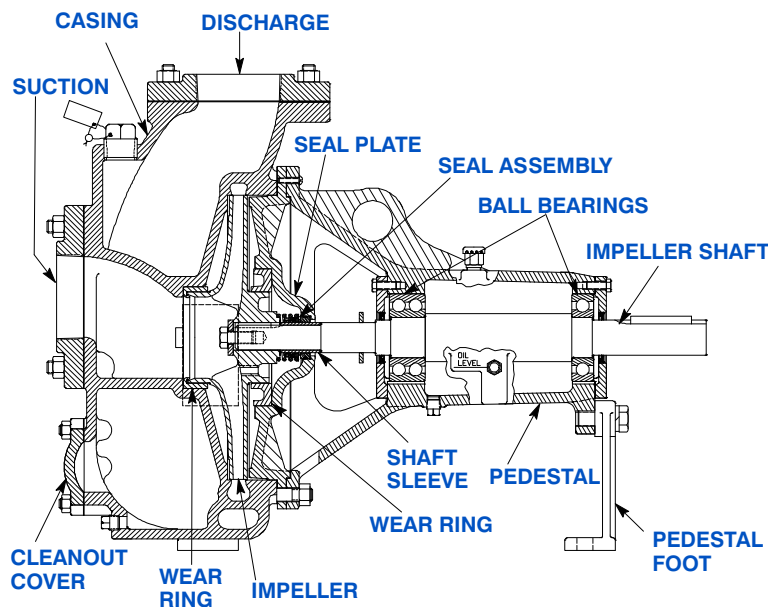
Flanges: Gray Iron 30.

Gaskets: Cork ^w/Nitrile Binder NC710 and Vegetable Fiber.

Hardware: Standard Plated Steel.

Oil Level Sight Gauge.

**Consult Factory for Applications Exceeding Maximum
Pressure and/or Temperature Indicated.*



SEAL DETAIL

Type 31, Mechanical, Self-Lubricated. Silicon Carbide Rotating and Stationary Faces. Fluorocarbon Elastomers (DuPont Viton® or Equivalent). Stainless Steel 316 Cage and Spring. Maximum Temperature of Liquid Pumped, 160° F (71° C).*



GORMAN-RUPP PUMPS

www.grpumps.com

Specifications Subject to Change Without Notice

Printed in U.S.A.

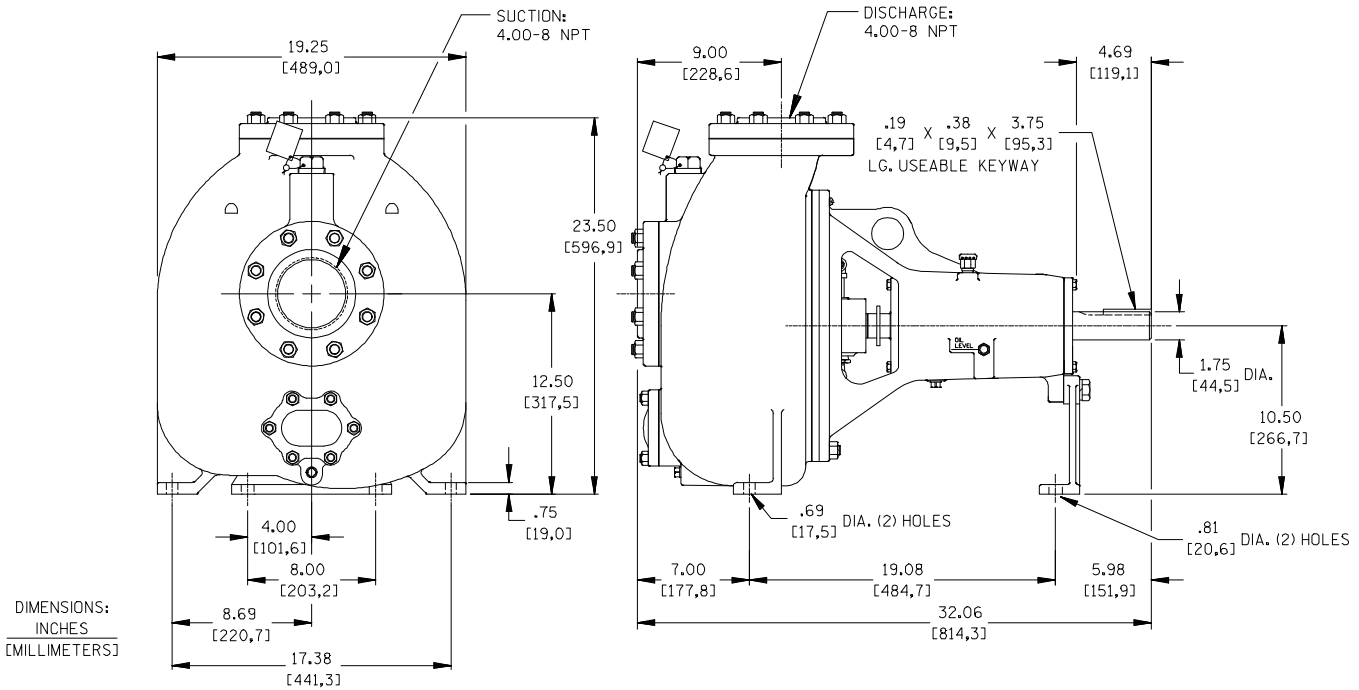
Specification Data

SECTION 30, PAGE 1802

APPROXIMATE
DIMENSIONS and WEIGHTS

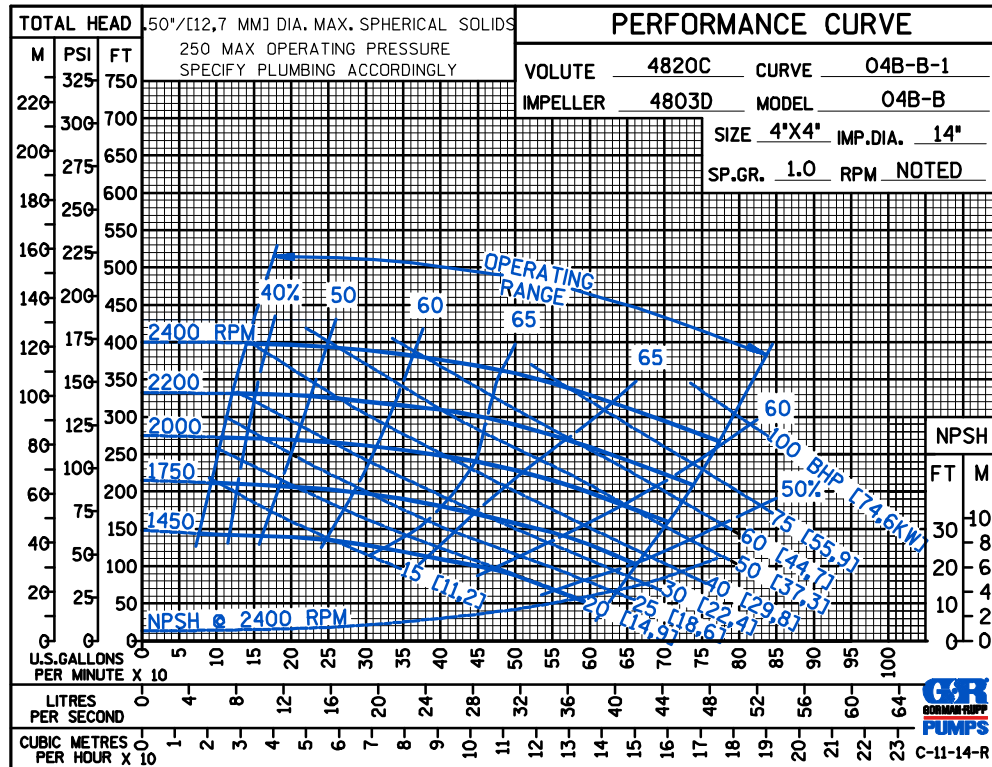
NET WEIGHT:
SHIPPING WEIGHT:
EXPORT CRATE:

420 LBS. (190 KG.)
462 LBS. (210 KG.)
17.4 CU. FT. (0,5 CU. M.)



DIMENSIONS:
INCHES
[MILLIMETERS]

**PERFORMANCE
BASED ON
WATER**



C-11-14-R



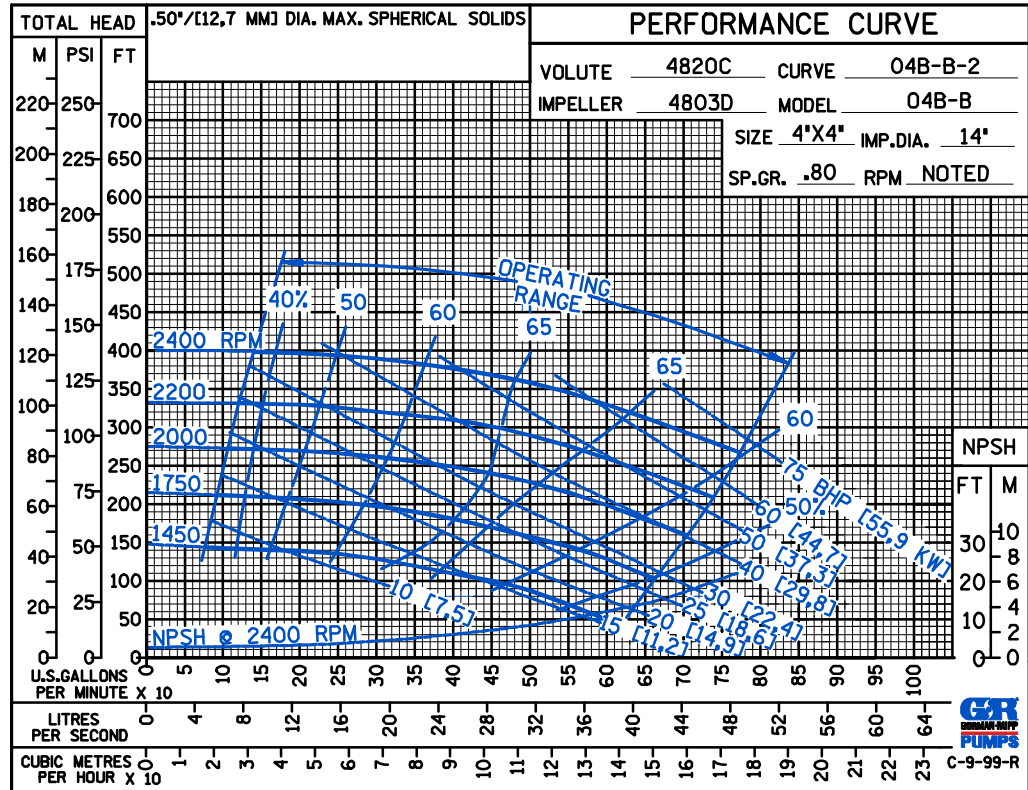
GORMAN-RUPP PUMPS

www.grpumps.com

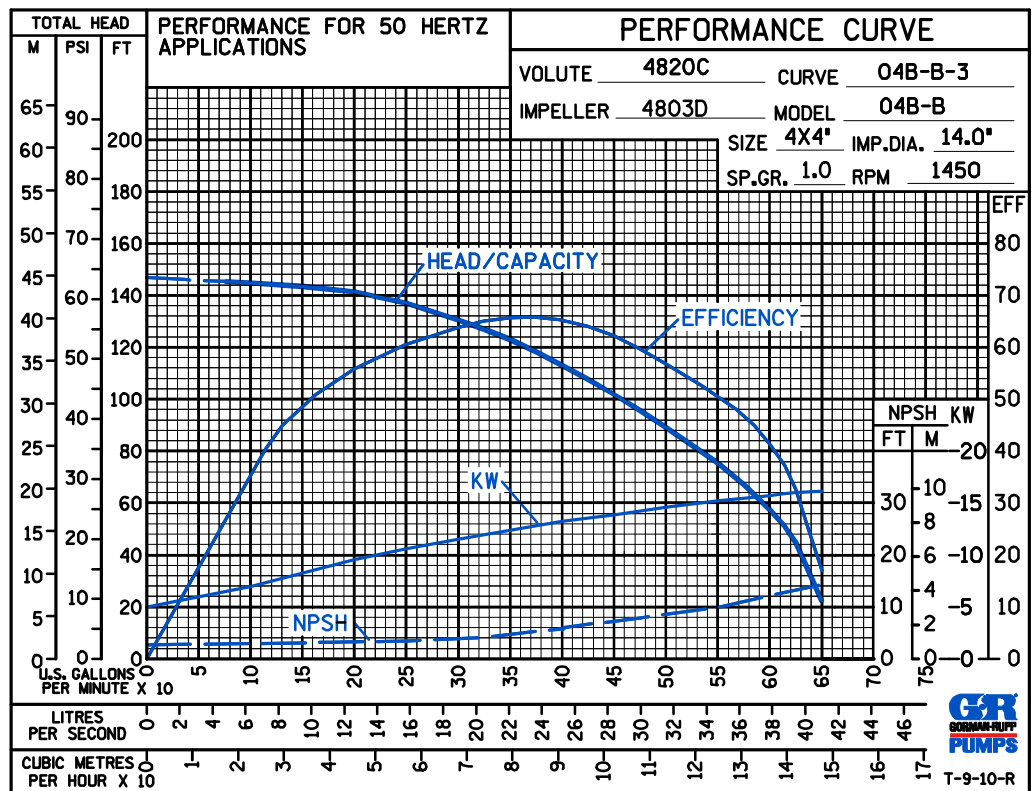
Specifications Subject to Change Without Notice

Printed in U.S.A.

PERFORMANCE
BASED ON
PETROLEUM



50 HERTZ
PERFORMANCE
BASED ON
WATER



GORMAN-RUPP PUMPS

www.grpumps.com

Specifications Subject to Change Without Notice

Printed in U.S.A.