

**Prime  
Air PLUS**

## Priming Assisted Centrifugal Pump

### Model PAH6A65C-B

Size 10" x 6"



#### PUMP SPECIFICATIONS

**Size:** 10" x 6" (254 mm x 152 mm) Flanged.

**Casing:** Stainless Steel CD4MCu.

Maximum Operating Pressure 231 psi (1593 kPa).\*

**Enclosed Type, Two Vane Impeller:** Stainless Steel CD4MCu.

Handles 3" (76,2 mm) Diameter Spherical Solids.

**Suction Head:** Stainless Steel CD4MCu.

**Suction Spool:** Stainless Steel CD4MCu.

**Impeller Shaft:** Stainless Steel 17-4 PH.

**Replaceable Wear Ring:** Stainless Steel CD4MCu.

**Pedestal:** Gray Iron 30.

**Seal Plate:** Stainless Steel CD4MCu.

**Shaft Sleeve:** Stainless Steel 17-4 PH.

**Priming Chamber:** Stainless Steel 316 Housing w/Stainless Steel Float and Linkage.

**Discharge Check Valve:** Stainless Steel w/Viton Flapper.

**Radial Bearing:** Open Roller.

**Thrust Bearing:** Open Double Ball.

**Bearing Cavity Lubrication:** Lithium EP2 Grease.

**Gaskets:** Fluorocarbon (DuPont Viton® or Equivalent), Compressed Synthetic Fibers and Buna-N.

**O-Rings:** Fluorocarbon (DuPont Viton® or Equivalent).

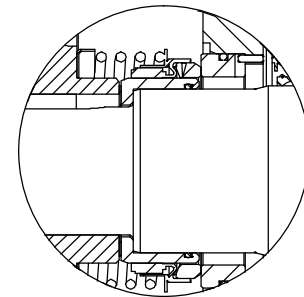
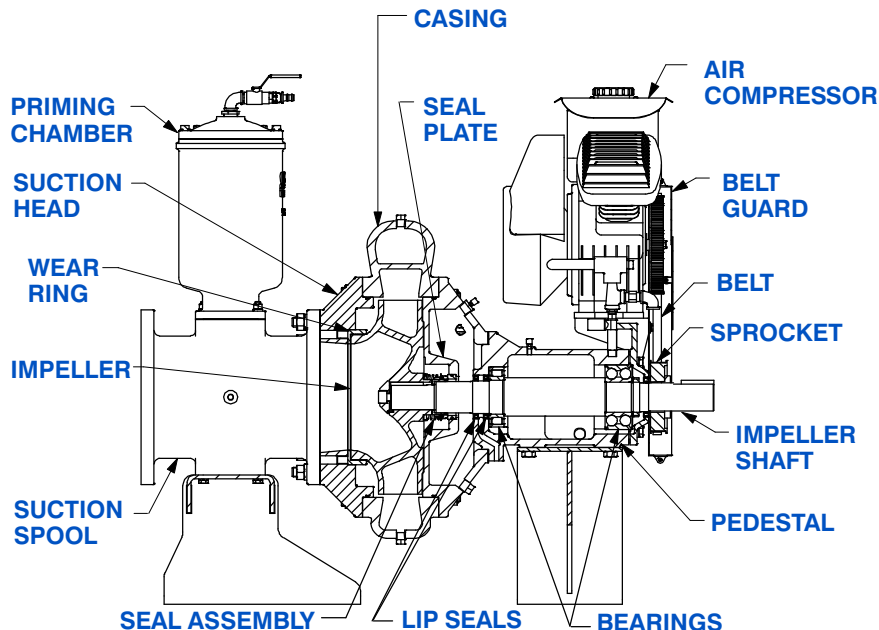
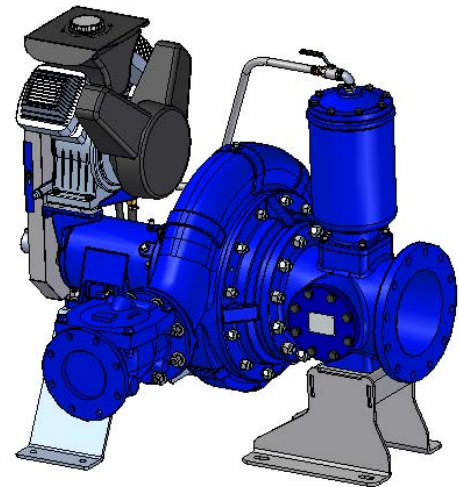
**Hardware:** Stainless Steel 316 and 17-4 PH.

**Seal Cavity Oil Level Sight Gauges.**

\* Consult Factory for Applications Exceeding Maximum Pressure and/or Temperature Indicated.

**Standard Equipment:** Belt Driven Air Compressor.

**Optional Equipment:** Base. NPT Threaded Flange Kit. Coupling. TEFC Motor. Suction Vacuum and Discharge Pressure Gauge Kit.



#### SEAL DETAIL

Mechanical, SAE 30 Non-Detergent Oil Lubricated. Silicon Carbide Rotating Face and Stationary Seat. Fluorocarbon Elastomers (DuPont Viton® or Equivalent). Stainless Steel 316 Cage and Stainless Steel 18-8 Spring. Maximum Temperature of Liquid Pumped 160°F (71°C).\*

**GR**  
GORMAN-RUPP  
PUMPS

GORMAN-RUPP PUMPS

www.grpumps.com

Specifications Subject to Change Without Notice

Printed in U.S.A.

**Specification Data**

SECTION 43, PAGE 321

APPROXIMATE DIMENSIONS and WEIGHTS

NET WEIGHT:

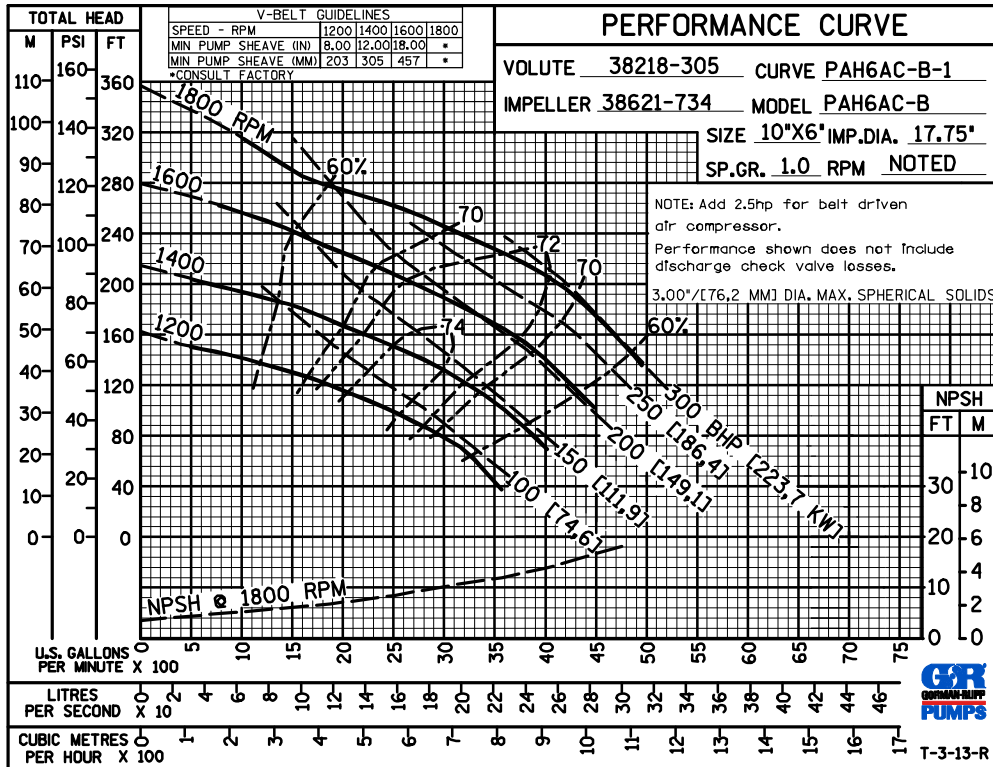
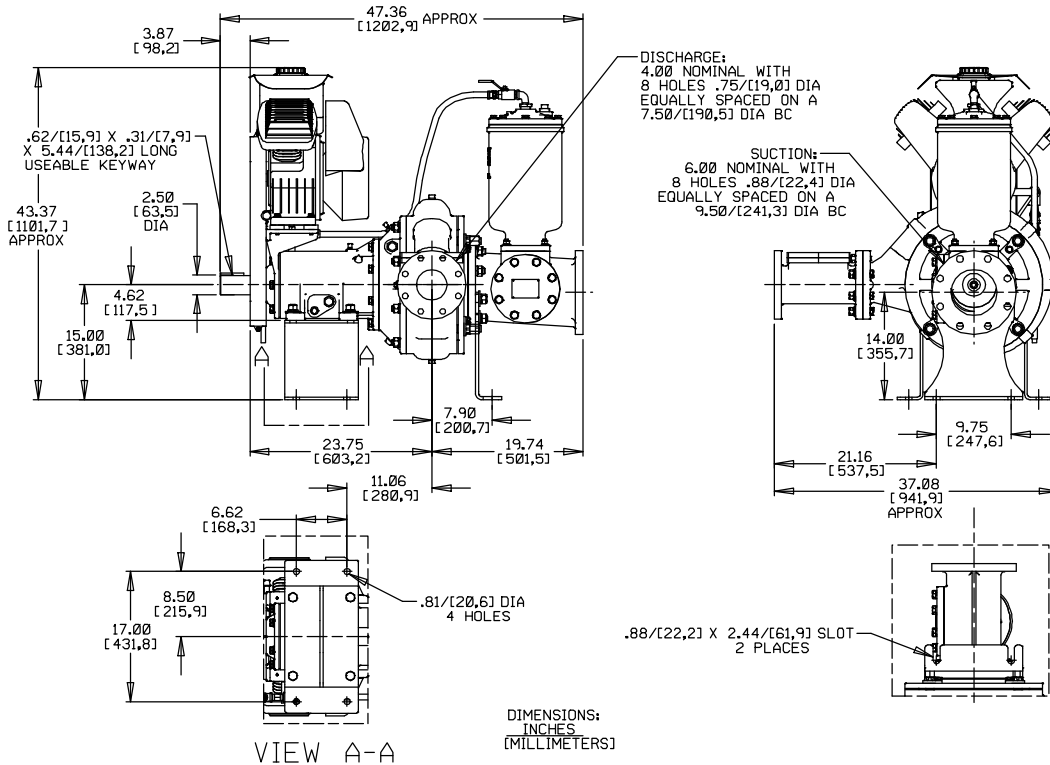
2140 LBS. (970,7 KG.)

SHIPPING WEIGHT:

2340 LBS. (1061,4 KG.)

EXPORT CRATE SIZE:

58 CU. FT. (1,6 CU. M.)



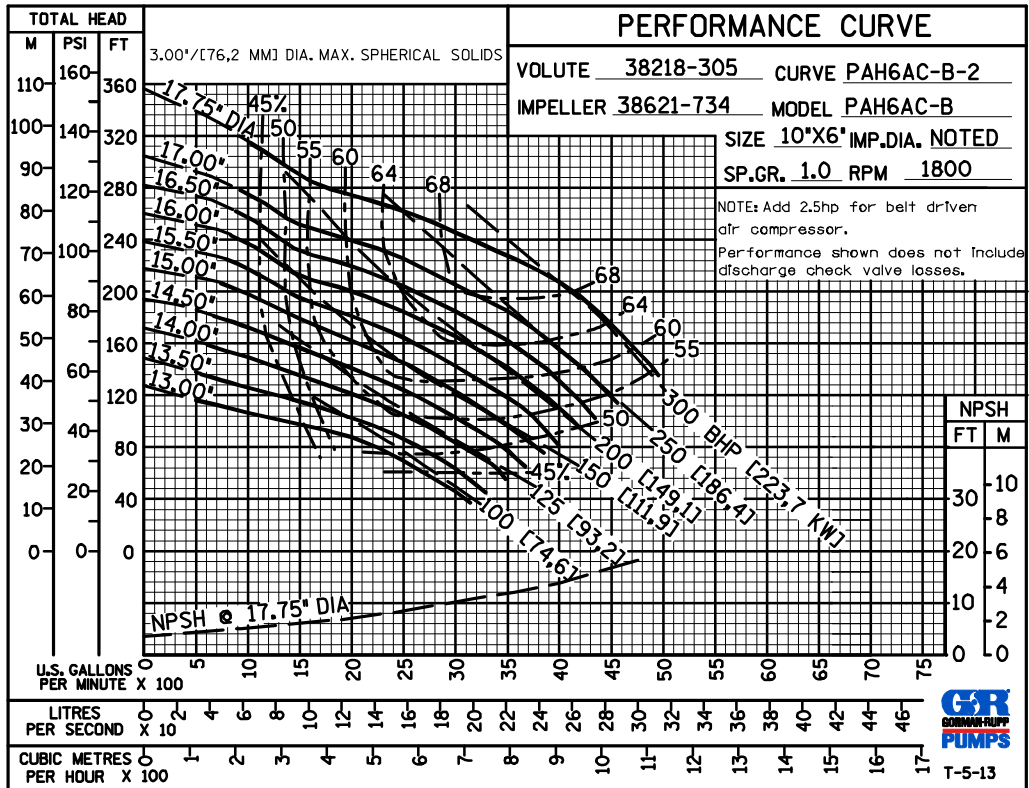
**GORMAN-RUPP PUMPS**

www.grpumps.com

Specifications Subject to Change Without Notice

Printed in U.S.A.

PERFORMANCE  
BASED ON  
WATER  
TRIMMED  
IMPELLER



GORMAN-RUPP PUMPS

www.grpumps.com

Specifications Subject to Change Without Notice

Printed in U.S.A.