

Basic Pump



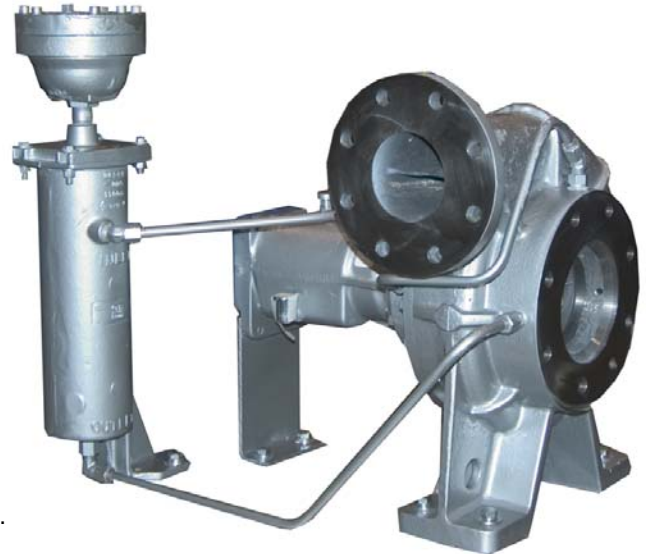
# Self Priming Centrifugal Pump

## Models RD4A31-BAR and RD4A32-BAR

### Size 6" x 4"

**PUMP SPECIFICATIONS**

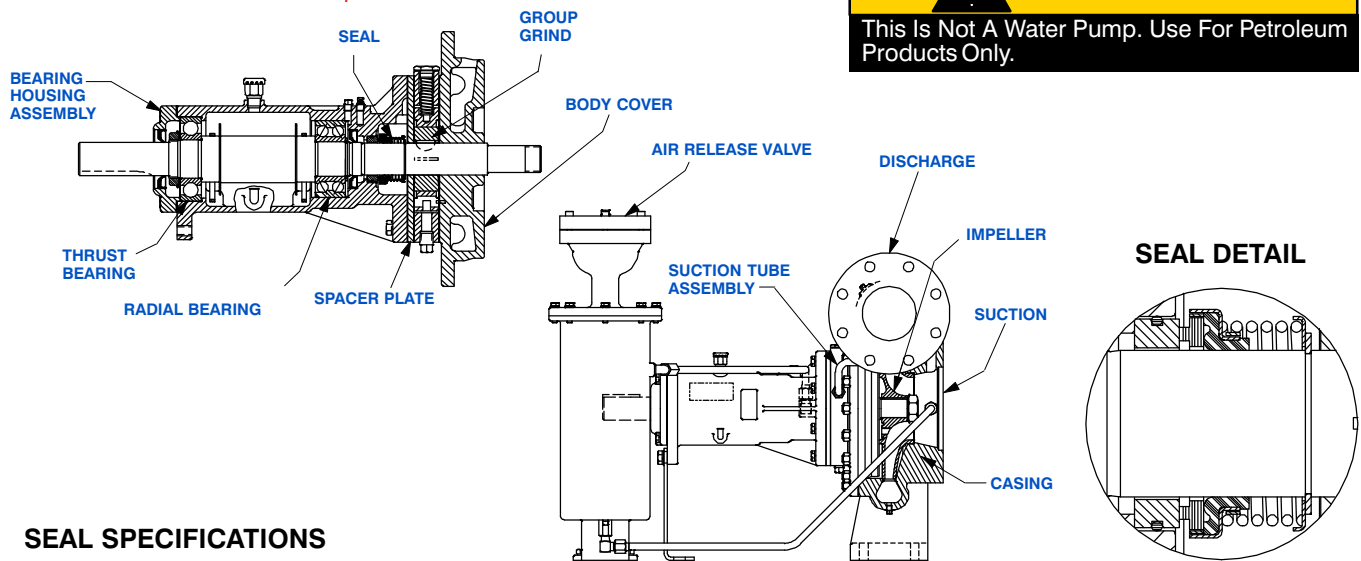
- Size:** 6" x 4" (152mm x 102 mm) Flanged.
- Casing:** (RD4A31-BAR) Ductile Iron 65-45-12.  
(RD4A32-BAR) Cast Steel 70-36.
- Maximum Operating Pressure 203 psi (1386 kPa).\*
- Enclosed Type, Five Vane Impeller:** Aluminum 356-T6.  
Handles 1/2" (12,7 mm) Diameter Spherical Solids.
- Impeller Shaft:** Steel 1045.
- Rotor:** Copper Alloy C93400.
- Bearing Housing:** Ductile Iron 65-45-12.
- Body Cover:** (RD4A31-BAR) Ductile Iron 65-45-12.  
(RD4A32-BAR) Cast Steel 70-36.
- Center/Spacer Plate:** (RD4A31-BAR) Ductile Iron 65-45-12.  
(RD4A32-BAR) Cast Steel 70-36.
- Radial Bearing:** Open Double Row Ball.
- Thrust Bearing:** Open Single Row Ball.
- Bearing Lubrication:** SAE 30 Non-Detergent Oil.
- Gaskets:** Vegetable Fiber, PTFE and Cork.
- Priming:** Rotary Vane Type Priming Pump.
- Air Release Valve:** (RD4A31-BAR) Ductile Iron/Stainless Steel.  
(RD4A32-BAR) Steel/Stainless Steel.
- Optional Equipment:** Stainless Steel Fitted Air Release Valve.  
Stainless Steel 416 Impeller Shaft, PTFE Seal with Fluorocarbon O-Ring, PTFE Seal with Buna-N O-Ring, Standard 4" Check Valve (Required for Priming).



*\*Consult Factory for Applications Exceeding Maximum Pressure and/or Temperature Indicated.*

**CAUTION**

This Is Not A Water Pump. Use For Petroleum Products Only.



**SEAL SPECIFICATIONS**

**Seal:** Mechanical; Self-Lubricated. Fluorocarbon Elastomers (DuPont Viton® or Equivalent). Carbon Rotating Face; Ni-Resist Stationary Face; Maximum Temperature of Liquid Pumped is 160°F (71°C).\*



GORMAN-RUPP PUMPS

www.grpumps.com

Specifications Subject to Change Without Notice

Printed in U.S.A.

**Specification Data**

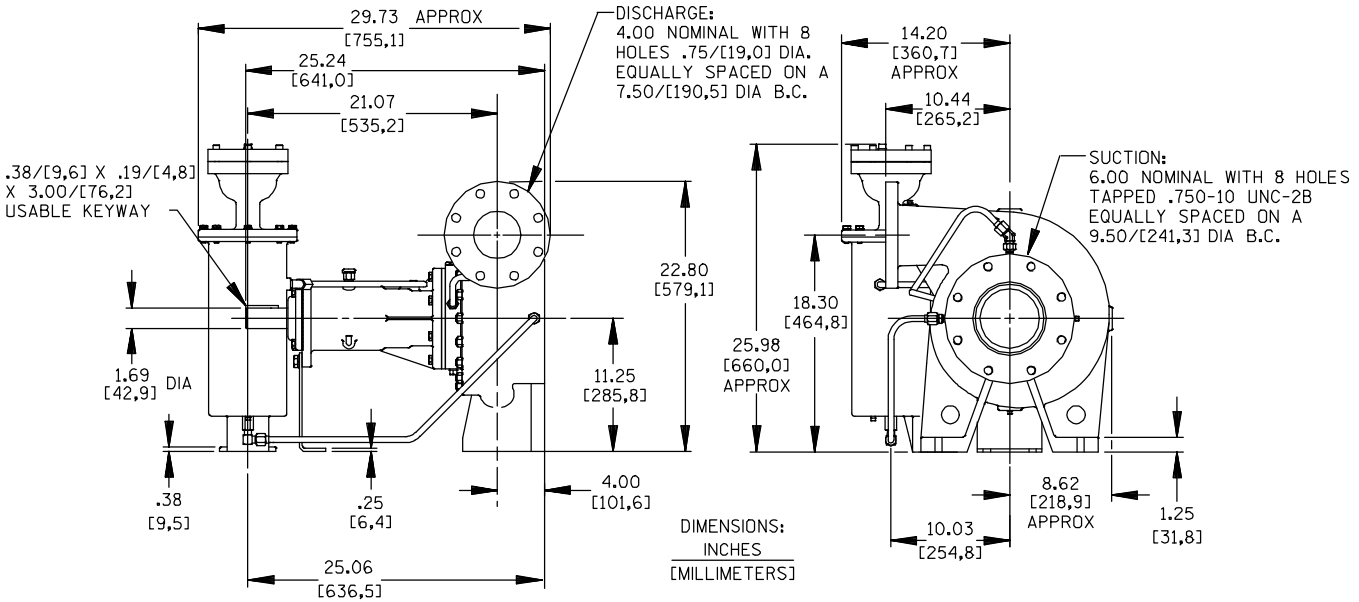
OVERALL DIMENSIONS  
and  
APPROXIMATE WEIGHTS

RD4A31-BAR

RD4A32-BAR

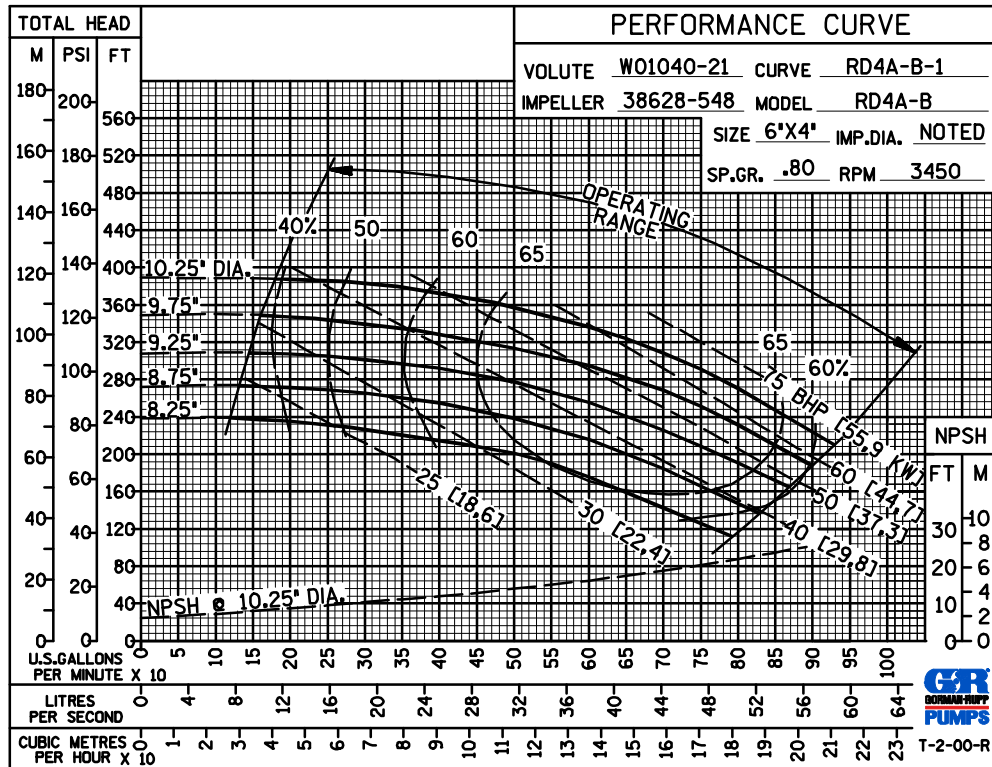
SECTION 35, PAGE 510

**PUMP NET WEIGHT:** 367 LBS. (1665 KG.) 375 LBS. (170,1 KG.)  
**SHIPPING NET WEIGHT:** 382 LBS. (173,3 KG.) 395 LBS. (179,2 KG.)  
**EXPORT CRATE SIZE:** 18 CU. FT. (0,51 CU. M.)



NOTE: OPTIONAL 4 INCH DISCHARGE CHECK VALVE REQUIRED FOR PRIMING.

PERFORMANCE  
BASED ON  
PETROLEUM  
TRIMMED  
IMPELLER



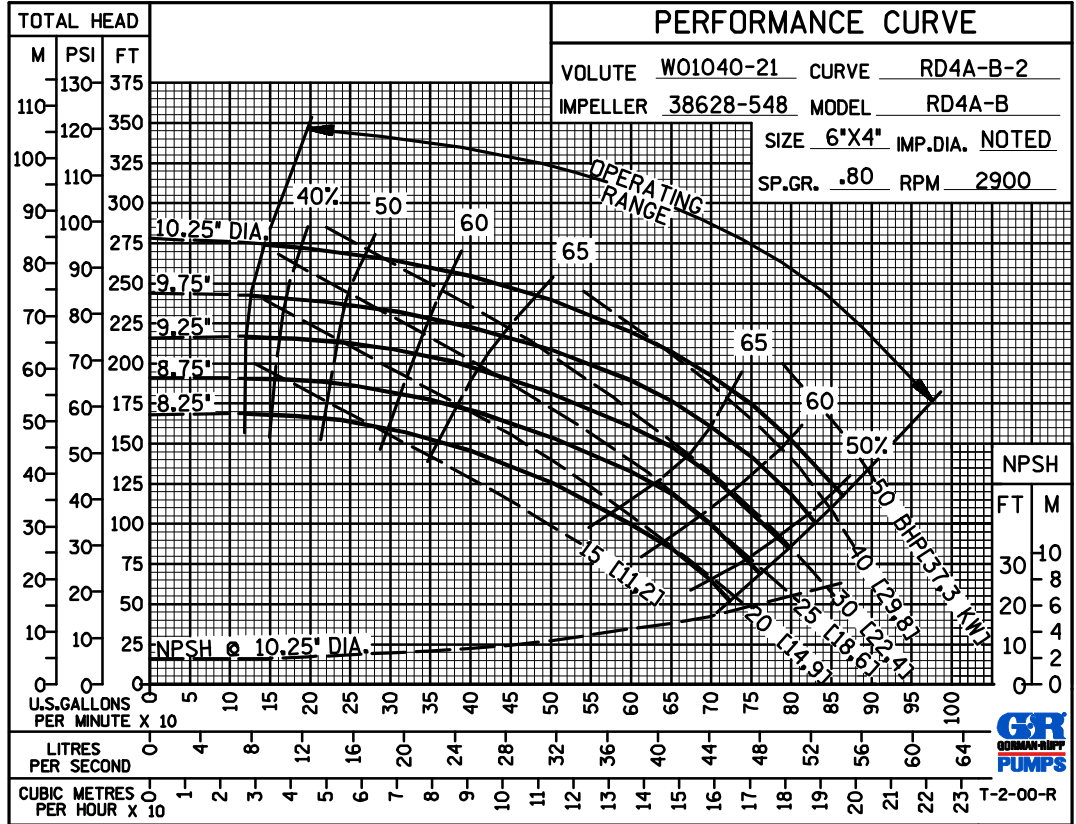
GORMAN-RUPP PUMPS

www.grpumps.com

Specifications Subject to Change Without Notice

Printed in U.S.A.

50 HERTZ  
PERFORMANCE  
BASED ON  
PETROLEUM  
TRIMMED  
IMPELLER



GORMAN-RUPP PUMPS

www.grpumps.com

Specifications Subject to Change Without Notice

Printed in U.S.A.