

Basic Pump



# Self Priming Centrifugal Pump

## Model RD2A31-B

### Size 3" x 2"

**PUMP SPECIFICATIONS**

**Size:** 3" x 2" (76 mm x 51 mm) Flanged.

**Casing:** Ductile Iron 65-45-12.

Maximum Operating Pressure 144 psi (993 kPa).\*

**Enclosed Type, Four Vane Impeller:** Aluminum 356-T6.

Handles 1/4" (6,4 mm) Diameter Spherical Solids.

**Impeller Shaft:** Steel 1045.

**Rotor:** Copper Alloy C93200.

**Bearing Housing:** Ductile Iron 65-45-12.

**Bearing Housing Lubrication:** Grease.

**Body Cover:** Ductile Iron 65-45-12.

**Center/Spacer Plate:** Ductile Iron 65-45-12.

**Radial Bearing:** Permanently Sealed Single Row Ball Type.

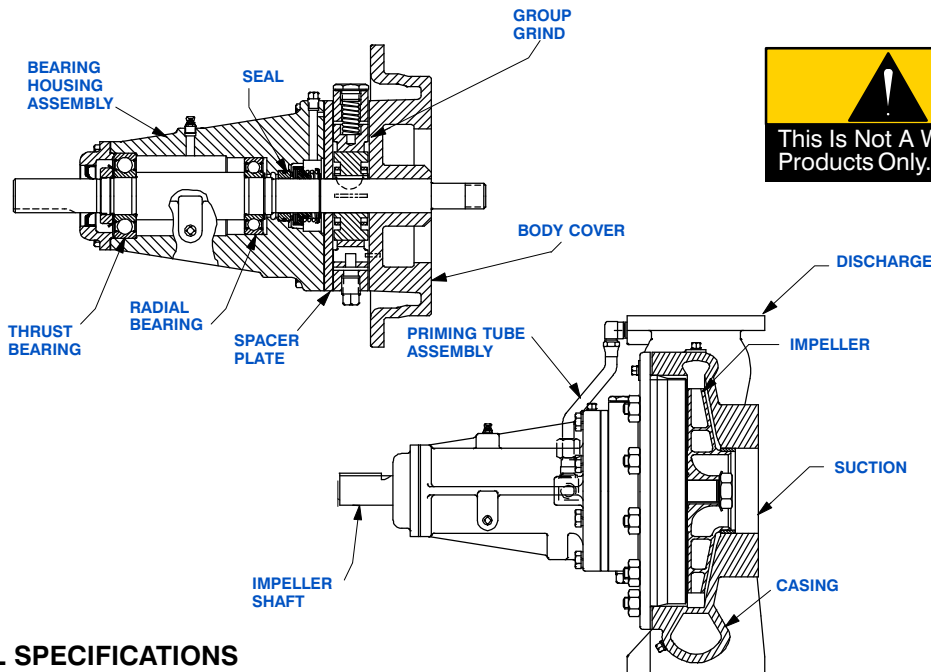
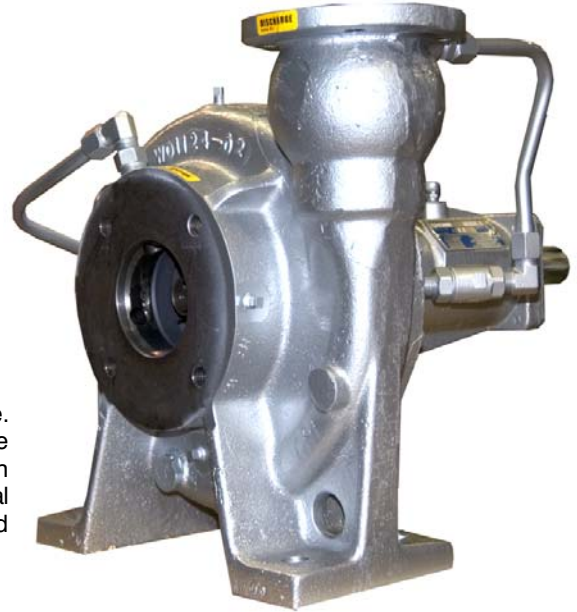
**Thrust Bearing:** Permanently Sealed Single Row Ball Type.

**Gaskets:** Vegetable Fiber, PTFE and Cork.

**Priming:** Rotary Vane Type, with Built-in Spring-Loaded Priming Assist Valve.

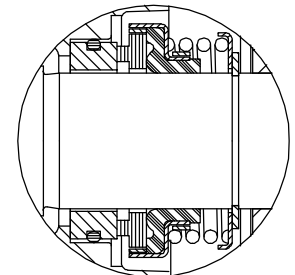
**Optional Equipment:** Cast Steel 70-36 Threaded Suction and Discharge Companion Flange Kit, Copper Alloy C93700 Impeller, Group Grind with Cast Iron Rotor; Stainless Steel 416 Impeller Shaft; Buna-N Seal, PTFE Seal with Fluorocarbon O-Ring, PTFE Seal with Buna-N O-Ring, Oil Filled Bearing Housing Assembly.

*\*Consult Factory for Applications Exceeding Maximum Pressure and/or Temperature Indicated.*



**CAUTION**  
This Is Not A Water Pump. Use For Petroleum Products Only.

**SEAL DETAIL**



**SEAL SPECIFICATIONS**

**Seal:** Mechanical; Self-Lubricated. Fluorocarbon Elastomers (DuPont Viton® or Equivalent). Carbon Rotating Face; Ni-Resist Stationary Face; Maximum Temperature of Liquid Pumped is 160°F (71°C).\*



GORMAN-RUPP PUMPS

www.grpumps.com

Specifications Subject to Change Without Notice

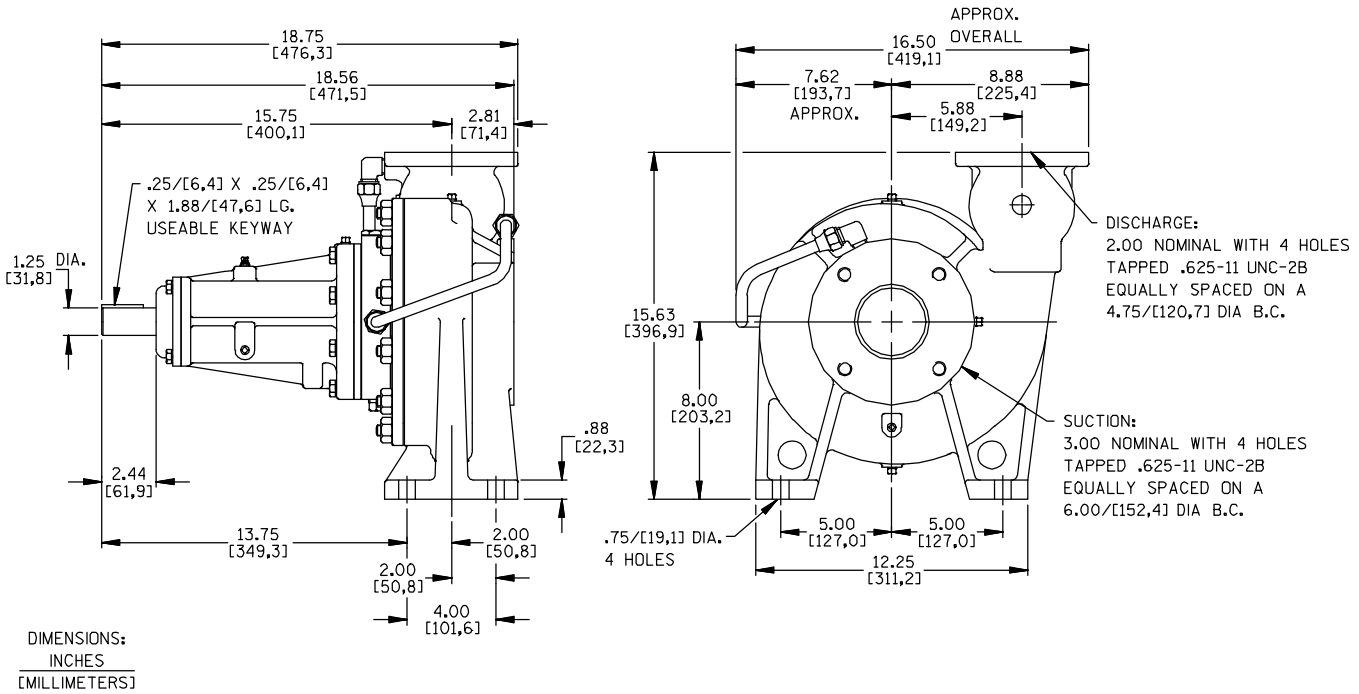
Printed in U.S.A.

**Specification Data**

**SECTION 35, PAGE 200**

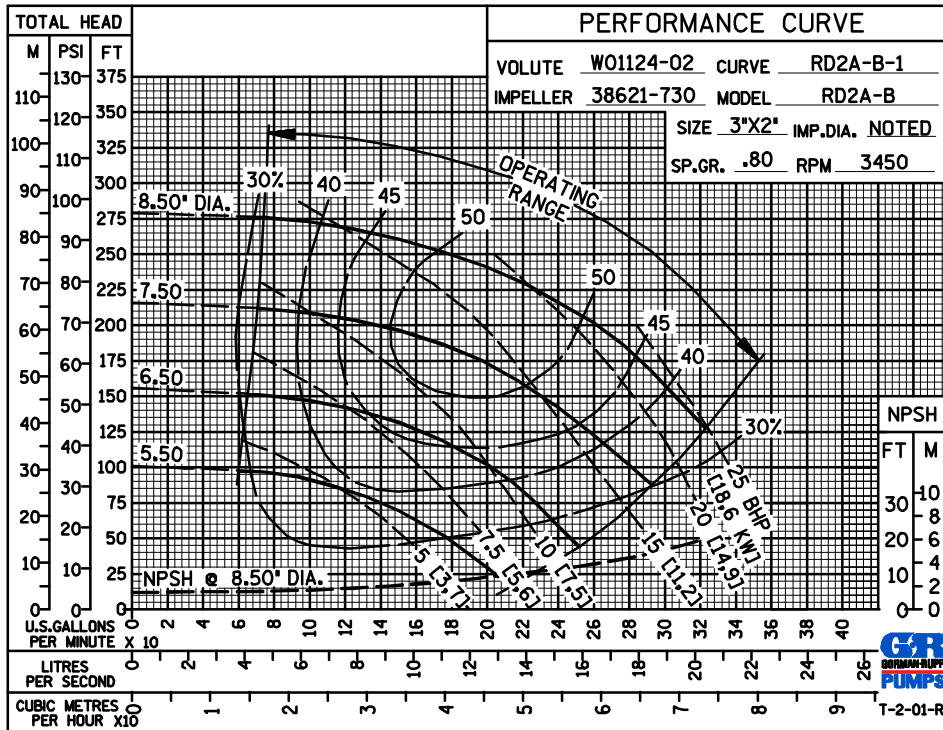
OVERALL DIMENSIONS  
and  
APPROXIMATE WEIGHTS

**PUMP NET WEIGHT: 154 LBS. (69,9 KG.)**  
**SHIPPING WEIGHT: 166 LBS. (75,3 KG.)**  
**EXPORT CRATE SIZE: 5.6 CU. FT. (0,16 CU. M.)**



**Air Release Valve Required When Static Discharge Pressure Exceeds 8 psi (55 kPa).**

**PERFORMANCE  
BASED ON  
PETROLEUM  
TRIMMED  
IMPELLER**



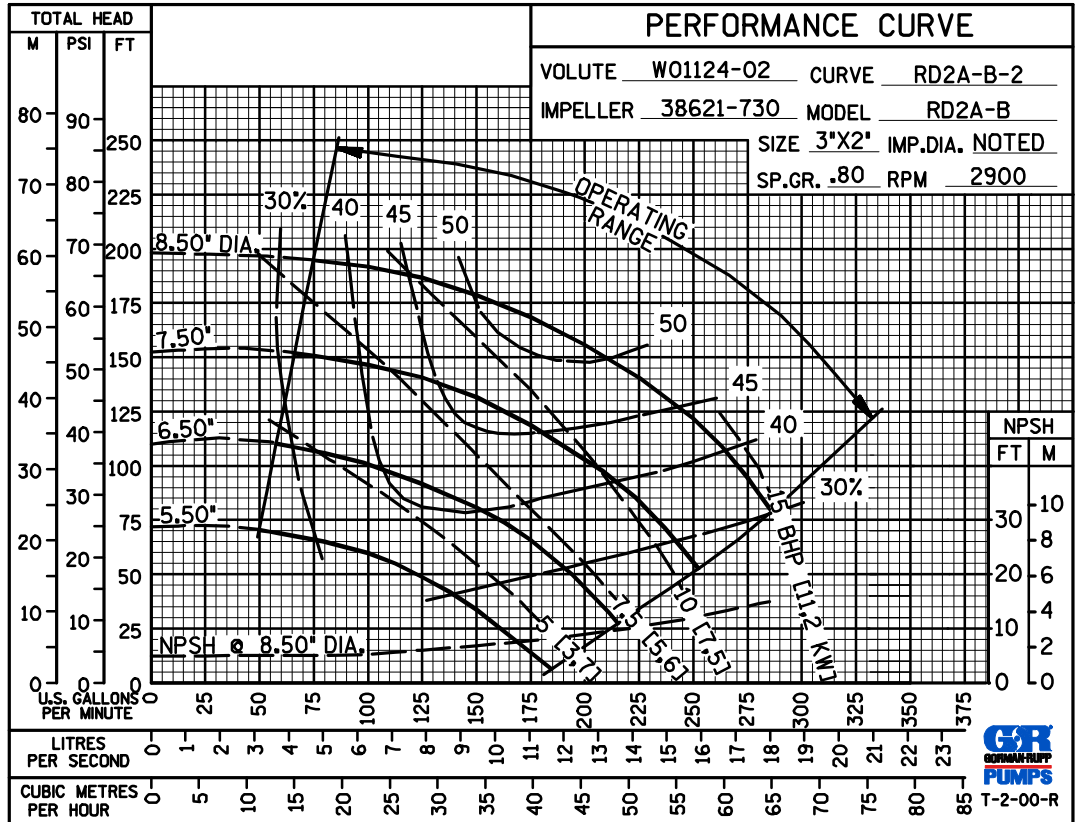
**GORMAN-RUPP PUMPS**

www.grpumps.com

Specifications Subject to Change Without Notice

Printed in U.S.A.

50 HERTZ  
PERFORMANCE  
BASED ON  
PETROLEUM  
TRIMMED  
IMPELLER



GORMAN-RUPP PUMPS

www.grpumps.com

Specifications Subject to Change Without Notice

Printed in U.S.A.