

## Basic Pump



## Self Priming Centrifugal Pump

## Model RS5A31-B and RS5A32-B

## Size 6" x 5"

## PUMP SPECIFICATIONS

**Size:** 6" x 5" (152 mm x 127 mm) Flanged.

**Casing:** (RS5A31-B) Ductile Iron 65-45-12.  
(RS5A32-B) Cast Steel 70-36.

Maximum Operating Pressure 81 psi (558 kPa).\*

**Enclosed Type, Five Vane Impeller:** Aluminum 356-T6.

Handles 1/2" (12,7 mm) Diameter Spherical Solids.

**Impeller Shaft:** Steel 1045.

**Rotor:** Copper Alloy C93400.

**Bearing Housing:** Ductile Iron 65-45-12.

**Body Cover:** (RS5A31-B) Ductile Iron 65-45-12.  
(RS5A32-B) Cast Steel 70-36.

**Center/Spacer Plate:** (RS5A31-B) Ductile Iron 65-45-12.  
(RS5A32-B) Cast Steel 70-36.

**Radial Bearing:** Open Double Row Ball Type.

**Thrust Bearing:** Open Single Row Ball Type.

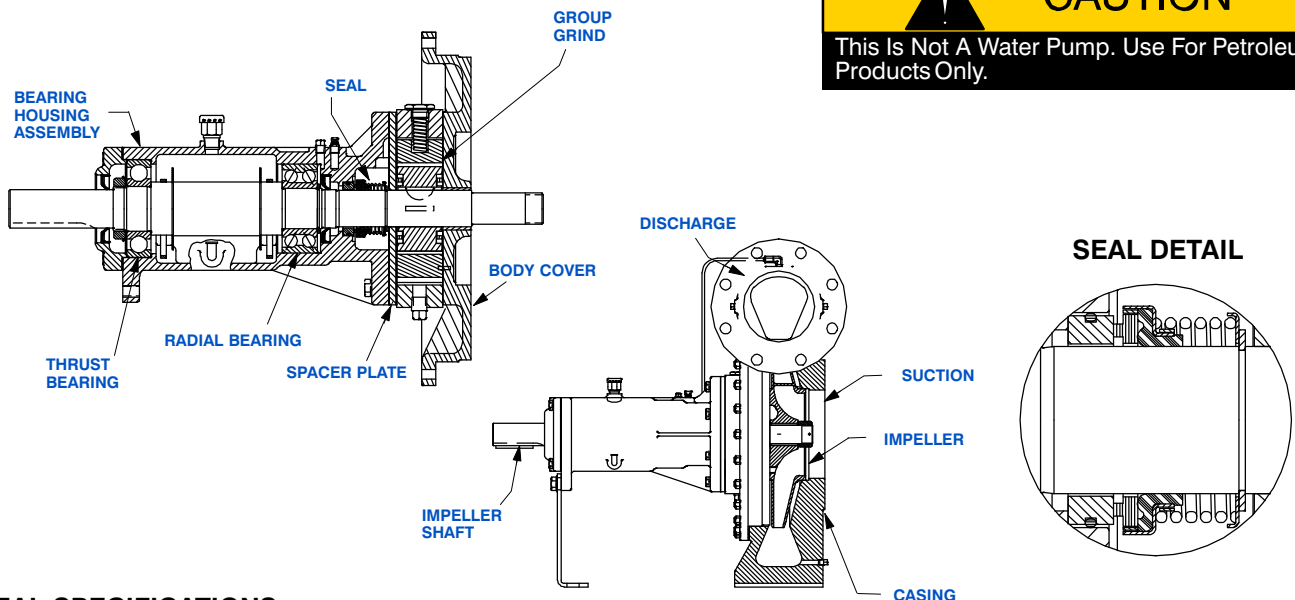
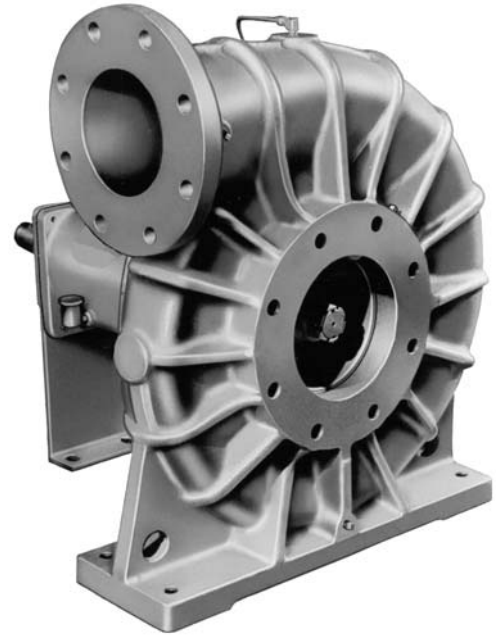
**Bearing Lubrication:** SAE 30 Non-Detergent Oil.

**Gaskets:** Vegetable Fiber, PTFE and Cork.

**Priming:** Rotary Vane Type with Built-in Spring-Loaded Priming Assist Valve.

**Optional Equipment:** Standard 5" Discharge Check Valve (Required for Priming), Stainless Steel 416 Impeller Shaft, PTFE Seal with Fluorocarbon O-Ring, PTFE Seal with Buna-N O-Ring.

\*Consult Factory for Applications Exceeding Maximum Pressure and/or Temperature Indicated.



## SEAL SPECIFICATIONS

**Seal:** Mechanical; Self-Lubricated. Fluorocarbon Elastomers (DuPont Viton<sup>®</sup> or Equivalent). Carbon Rotating Face; Ni-Resist Stationary Face; Maximum Temperature of Liquid Pumped is 160°F (71°C).\*



GORMAN-RUPP PUMPS

www.grpumps.com

Specifications Subject to Change Without Notice

Printed in U.S.A.

**Specification Data**

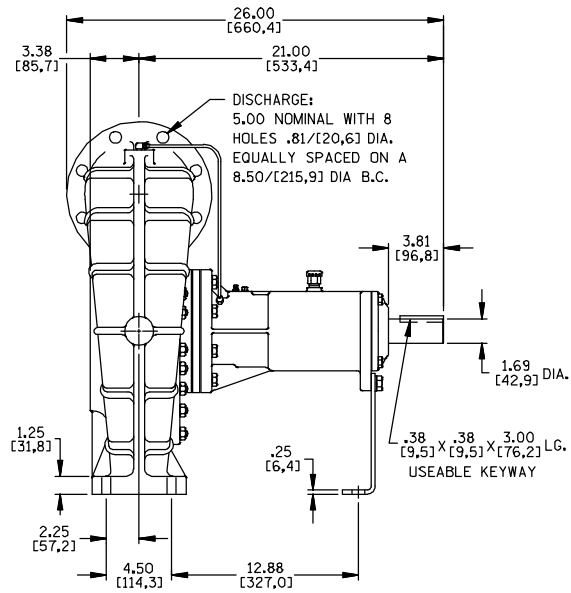
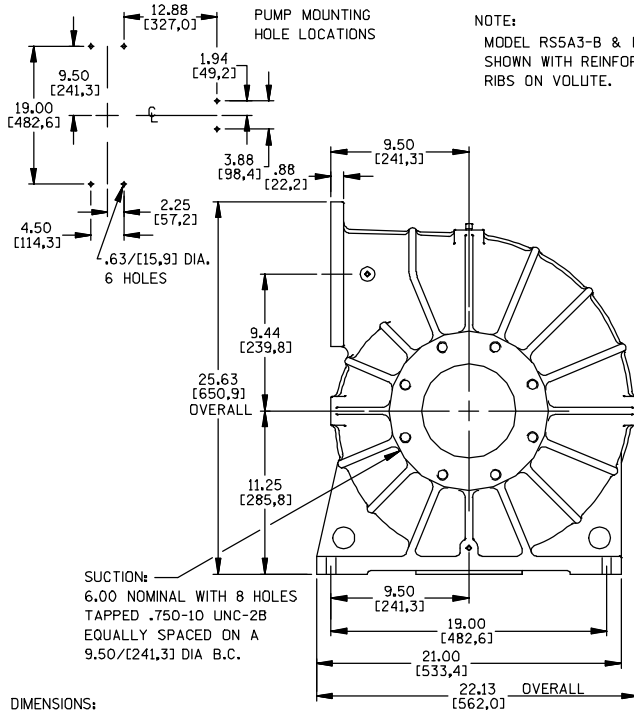
**SECTION 35, PAGE 600**

OVERALL DIMENSIONS  
and  
APPROXIMATE WEIGHTS

**RS5A31-B**

**RS5A32-B**

**PUMP NET WEIGHT:** 353 LBS. (160,1 KG.) 400 LBS. (181,4 KG.)  
**SHIPPING NET WEIGHT:** 402 LBS. (182,3 KG.) 456 LBS. (206,8 KG.)  
**EXPORT CRATE SIZE:** 22.3 CU. FT. (0,63) CU. M.)

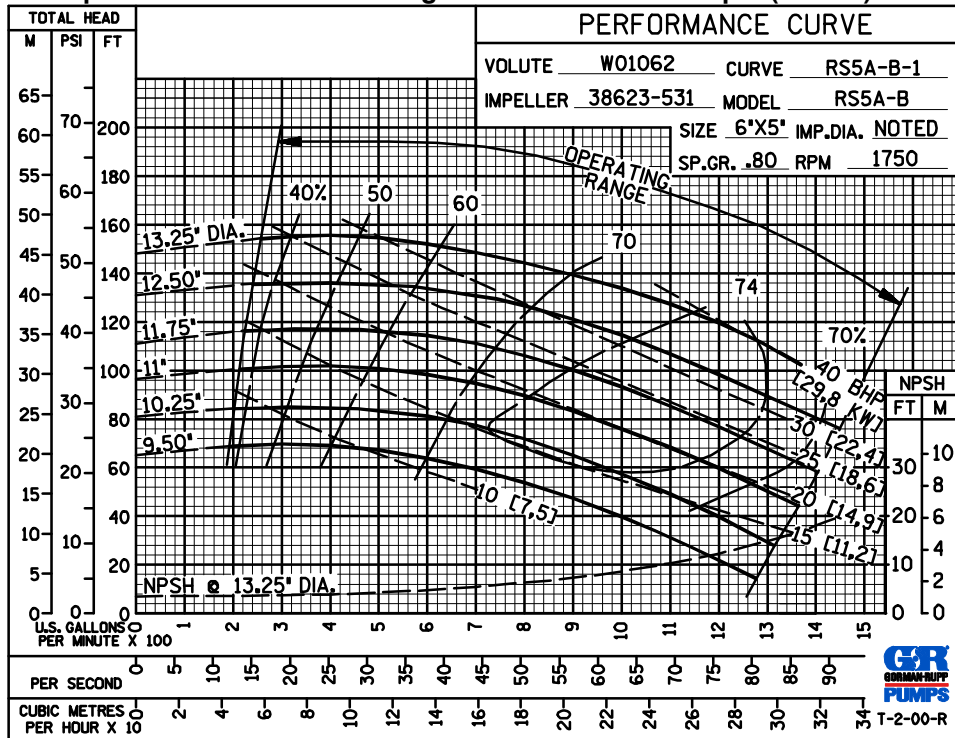


DIMENSIONS:  
INCHES  
[MILLIMETERS]

**NOTE: OPTIONAL 5 INCH DISCHARGE CHECK VALVE REQUIRED FOR PRIMING.**

**Air Release Valve Required When Static Discharge Pressure Exceeds 8 psi (55 kPa).**

**PERFORMANCE  
BASED ON  
PETROLEUM  
TRIMMED  
IMPELLER**



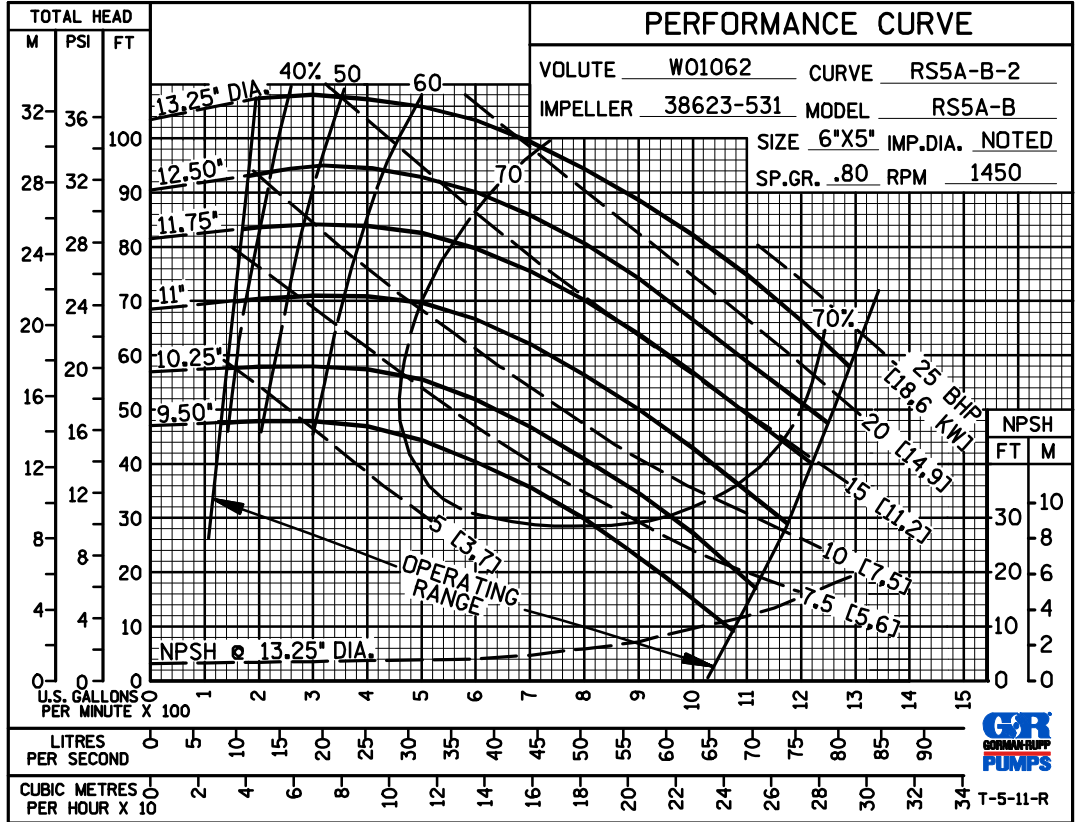
**GORMAN-RUPP PUMPS**

www.grpumps.com

Specifications Subject to Change Without Notice

Printed in U.S.A.

**50 HERTZ  
PERFORMANCE  
BASED ON  
PETROLEUM  
TRIMMED  
IMPELLER**



GORMAN-RUPP PUMPS

www.grpumps.com

Specifications Subject to Change Without Notice

Printed in U.S.A.