

## Basic Pump



## Self Priming Centrifugal Pump

## Model RS3A31-B and RS3A32-B

## Size 4" x 3"

## PUMP SPECIFICATIONS

**Size:** 4" x 3" (102 mm x 76 mm) Flanged.

**Casing:** (RS3A31-B) Ductile Iron 65-45-12.  
(RS3A32-B) Cast Steel 70-36.

Maximum Operating Pressure 71 psi (490 kPa).\*

**Enclosed Type, Five Vane Impeller:** Aluminum 356-T6.  
Handles 3/8" (9,5 mm) Diameter Spherical Solids.

**Impeller Shaft:** Steel 1045.

**Rotor:** Copper Alloy C93400.

**Bearing Housing:** Ductile Iron 65-45-12.

**Bearing Housing Lubrication:** Grease.

**Body Cover:** (RS3A31-B) Ductile Iron 65-45-12.  
(RS3A32-B) Cast Steel 70-36.

**Center/Spacer Plate:** (RS3A31-B) Ductile Iron 65-45-12.  
(RS3A32-B) Cast Steel 70-36.

**Radial Bearing:** Permanently Sealed Single Row Ball Type.

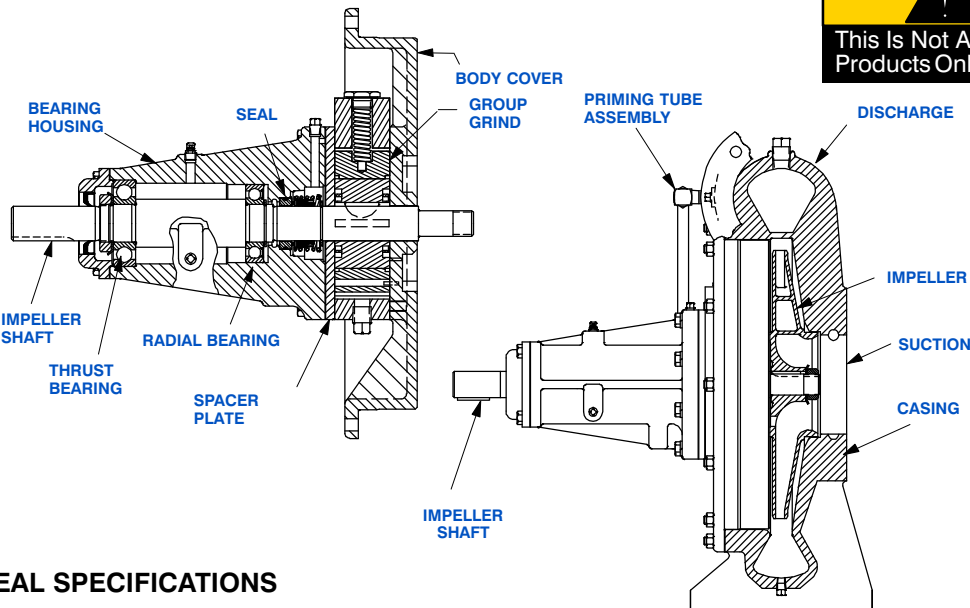
**Thrust Bearing:** Permanently Sealed Single Row Ball Type.

**Gaskets:** Vegetable Fiber, PTFE and Cork.

**Priming:** Rotary Vane Type with Built-in Spring-Loaded Priming Assist Valve.

**Optional Equipment:** Cast Steel 70-36 Threaded Suction and Discharge Companion Flange Kit, Copper Alloy C93700 Impeller, Group Grind with Cast Iron Rotor (RS3A31-B Only), Stainless Steel 416 Impeller Shaft, Buna-N Seal, PTFE Seal with Fluorocarbon O-Ring, PTFE Seal with Buna-N O-Ring, Oil Filled Bearing Housing Assembly.

\*Consult Factory for Applications Exceeding Maximum Pressure and/or Temperature Indicated.



## SEAL SPECIFICATIONS

**Seal:** Mechanical; Self-Lubricated. Fluorocarbon Elastomers (DuPont Viton<sup>®</sup> or Equivalent). Carbon Rotating Face; Ni-Resist Stationary Face; Maximum Temperature of Liquid Pumped is 160°F (71°C).\*



GORMAN-RUPP PUMPS

www.grpumps.com

Specifications Subject to Change Without Notice

Printed in U.S.A.

**Specification Data**

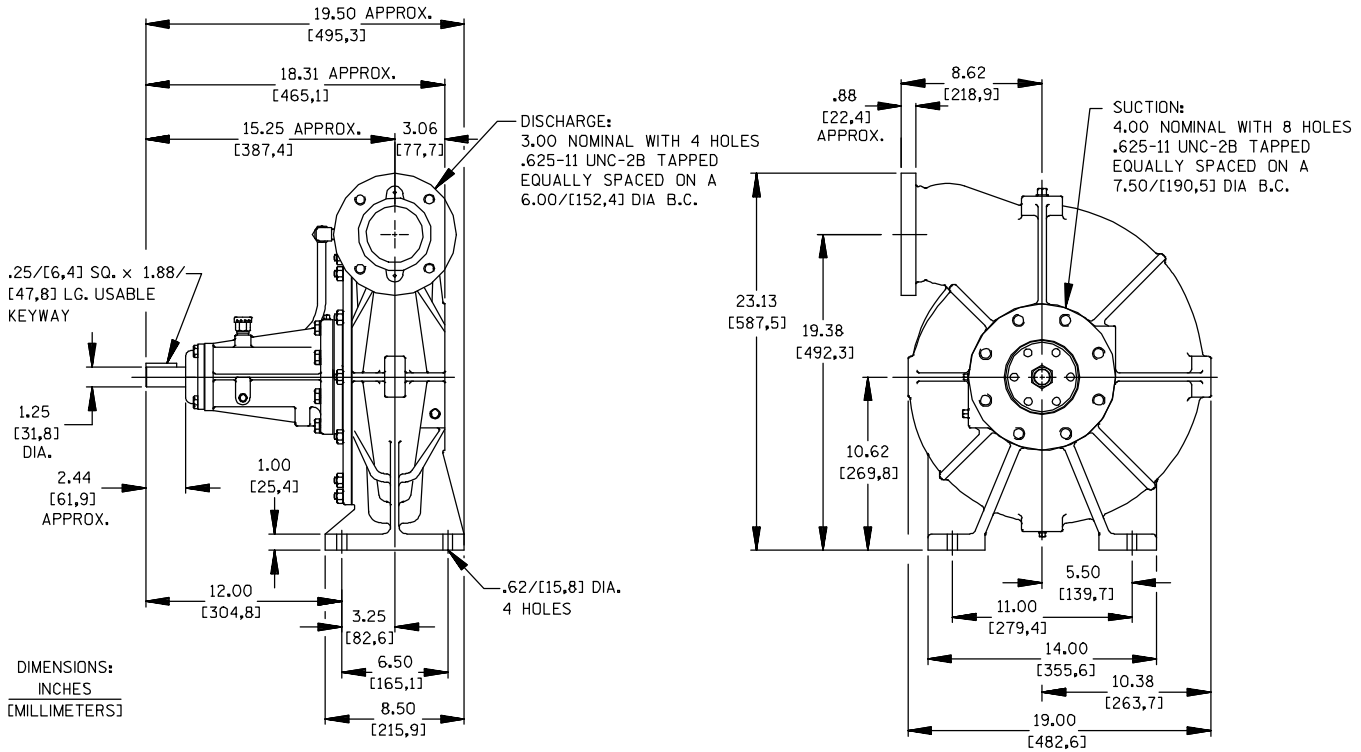
**SECTION 35, PAGE 300**

OVERALL DIMENSIONS  
and  
APPROXIMATE WEIGHTS

**RS3A31-B**

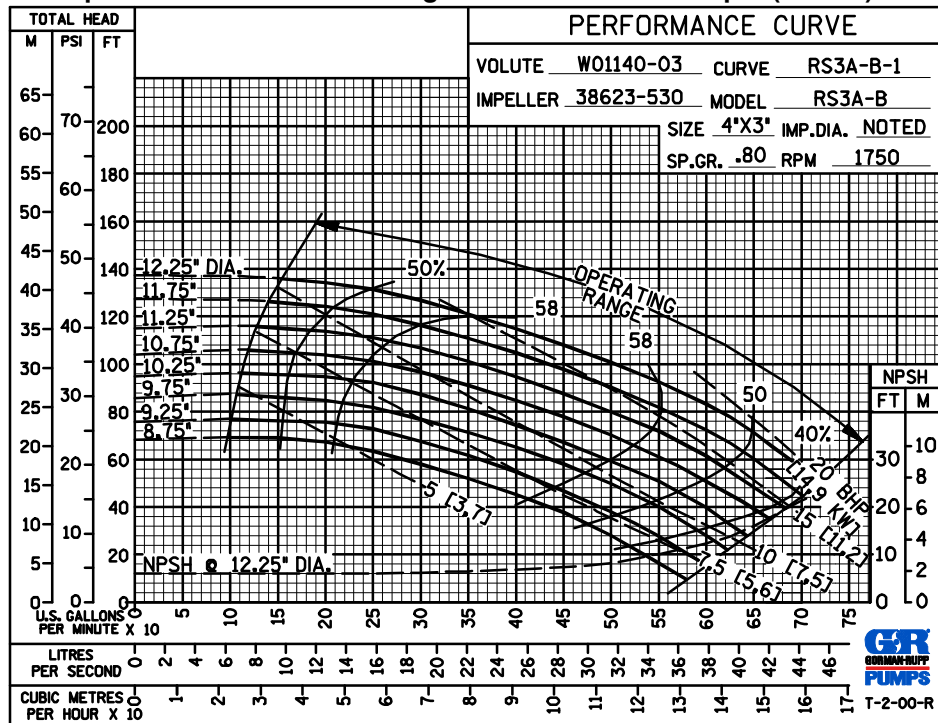
**RS3A32-B**

**PUMP NET WEIGHT:** 240 LBS. (108,9 KG.) 312 LBS. (141,5 KG.)  
**SHIPPING NET WEIGHT:** 254 LBS. (115,2 KG.) 332 LBS. (150,6 KG.)  
**EXPORT CRATE SIZE:** 12.8 CU. FT. (0,36 CU. M.)



**Air Release Valve Required When Static Discharge Pressure Exceeds 8 psi (55 kPa).**

**PERFORMANCE  
 BASED ON  
 PETROLEUM  
 TRIMMED  
 IMPELLER**



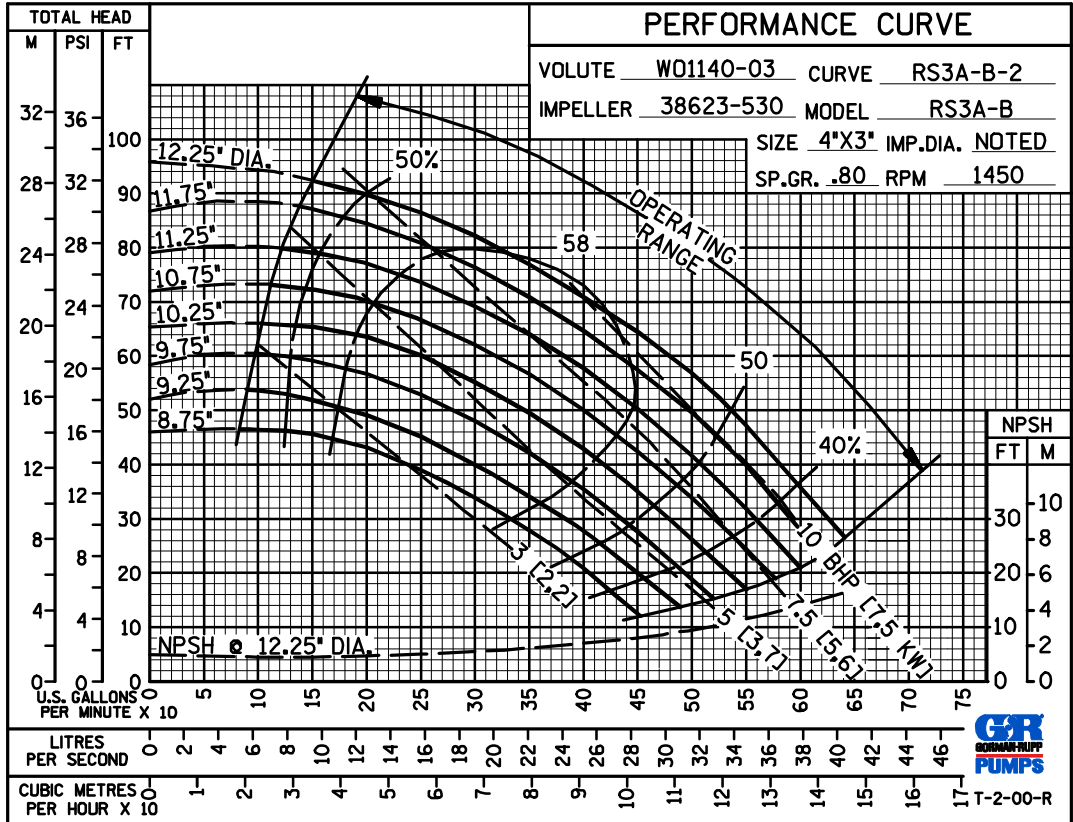
**GORMAN-RUPP PUMPS**

www.grpumps.com

Specifications Subject to Change Without Notice

Printed in U.S.A.

50 HERTZ  
PERFORMANCE  
BASED ON  
PETROLEUM  
TRIMMED  
IMPELLER



GORMAN-RUPP PUMPS

www.grpumps.com

Specifications Subject to Change Without Notice

Printed in U.S.A.