

# Self Priming Centrifugal Pumps

Ultra V Series<sup>®</sup> Basic Pump<sup>w/</sup>UltraMate<sup>®</sup> Second Stage



Model VS6A60-B

Size 8" x 6"



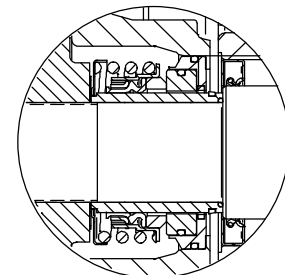
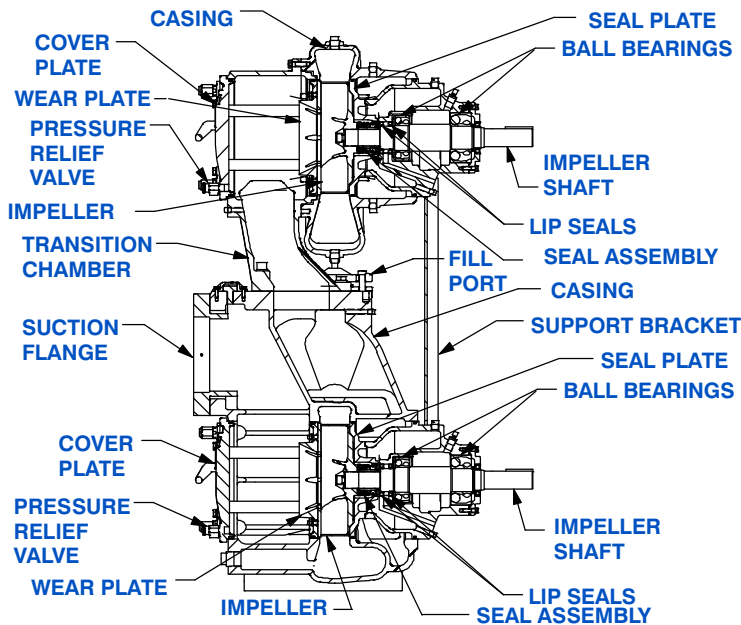
VARIOUS PATENTS APPLY

**PUMP SPECIFICATIONS**

- Size:** 8" x 6" (203 mm x 154 mm) – Flanged.\*\*
- Casings:** Upper - Ductile Iron 65-45-12. Lower - Gray Iron 30.  
Maximum Casing Pressure 257 psi (1772 kPa).\*
- Maximum Operating Pressure 250 psi (1723 kPa) at Temperatures up to 100 F (37 C) Based on System Component Limitations.\*
- Semi-Open Type, Two Vane Impellers:** Ductile Iron 65-45-12.  
Handles 3" (76,2 mm) Diameter Spherical Solids.
- Impeller Shafts:** Alloy Steel 4150.
- Self-Cleaning Replaceable Wear Plates:** Carbon Steel ASTM A36.
- Shimless Adjustable Cover Plates:** Gray Iron 30.
- Suction Flange:** Gray Iron 30.
- Bearing Housings:** Gray Iron 30.
- Seal Plates:** Gray Iron 30.
- Shaft Sleeves:** Alloy Steel 4130.
- Radial and Thrust Bearings:** Open Double Row Ball.
- Bearing and Seal Cavity Lubrication:** SAE 30 Non-Detergent Oil.
- Gaskets:** Buna-N, Compressed Synthetic Fibers, Vegetable Fiber, PTFE, Cork, and Rubber.
- O-Rings:** Buna-N.
- Transition Chamber:** Ductile Iron 65-45-12.
- Hardware:** Standard Plated Steel.
- Brass Pressure Relief Valves.**
- Bearing and Seal Cavity Oil Level Sight Gauges.**
- Optional Equipment:** [Suction Vacuum and Discharge Pressure Gauge Kit.](#)  
[Drain Pump Kit.](#) [Automatic Air Release Valve.](#) High Pump Temperature Shutdown Kit. Stainless Steel/G-R Hard Iron Impellers, Wear Plates and Seal Plates. 120/240 Volt Casing Heater.
- \*\* Optional Gray Iron 30 Flange Kits Available as Follows (See Price Sheets):  
8" and 6" Female NPT Suction/Discharge Flange Kits.  
8" and 6" ASA Suction/Discharge Spool Flange Kits.  
200 mm and 150 mm DIN 2527 (PN 16) Suction/Discharge Spool Flange Kits.

UltraMate<sup>®</sup>  
Second  
Stage

Ultra V  
Basic  
Pump



**SEAL DETAIL**

Cartridge Type, Mechanical, Oil-Lubricated, Double Floating, Self-Aligning. Silicon Carbide Rotating and Stationary Faces. Stainless Steel 316 Stationary Seat. Fluorocarbon Elastomers (DuPont Viton<sup>®</sup> or Equivalent). Stainless Steel 18-8 Cage and Spring. Maximum Temperature of Liquid Pumped, 160°F (71°C).\*

\* Consult Factory for Applications Exceeding Maximum Pressure and/or Temperature Indicated.



GORMAN-RUPP PUMPS

www.grpumps.com

Specifications Subject to Change Without Notice

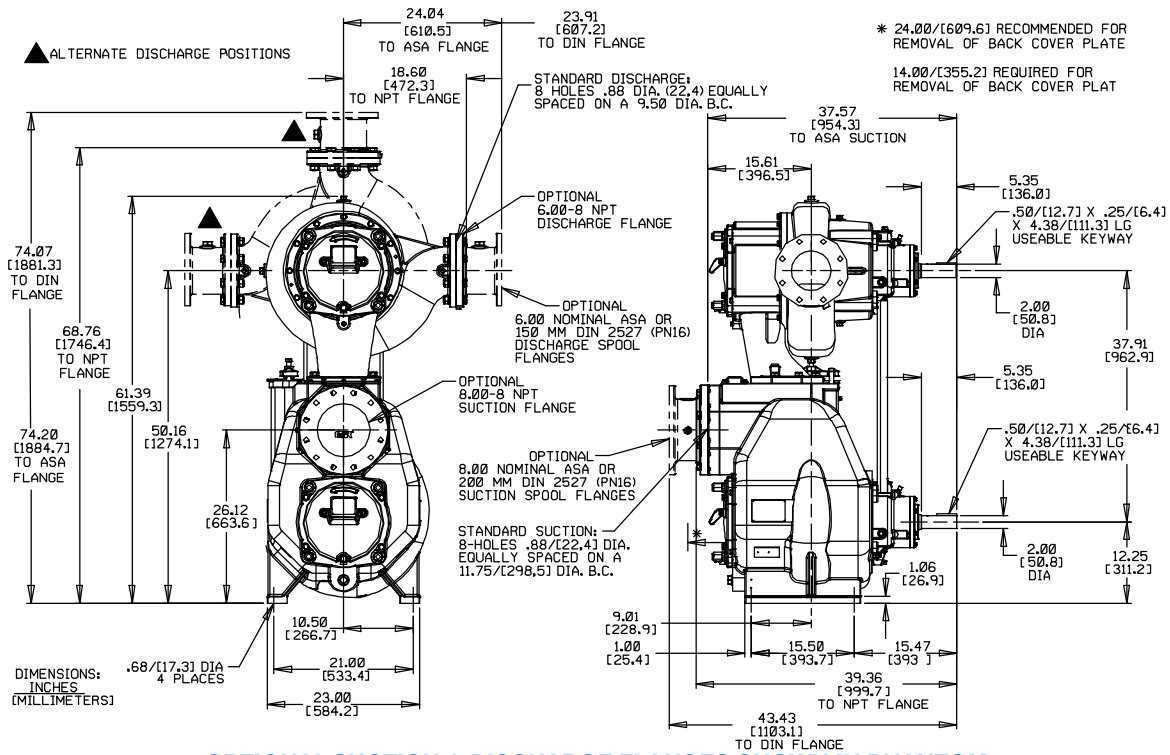
Printed in U.S.A.

**Specification Data**

SECTION 55, PAGE 3200

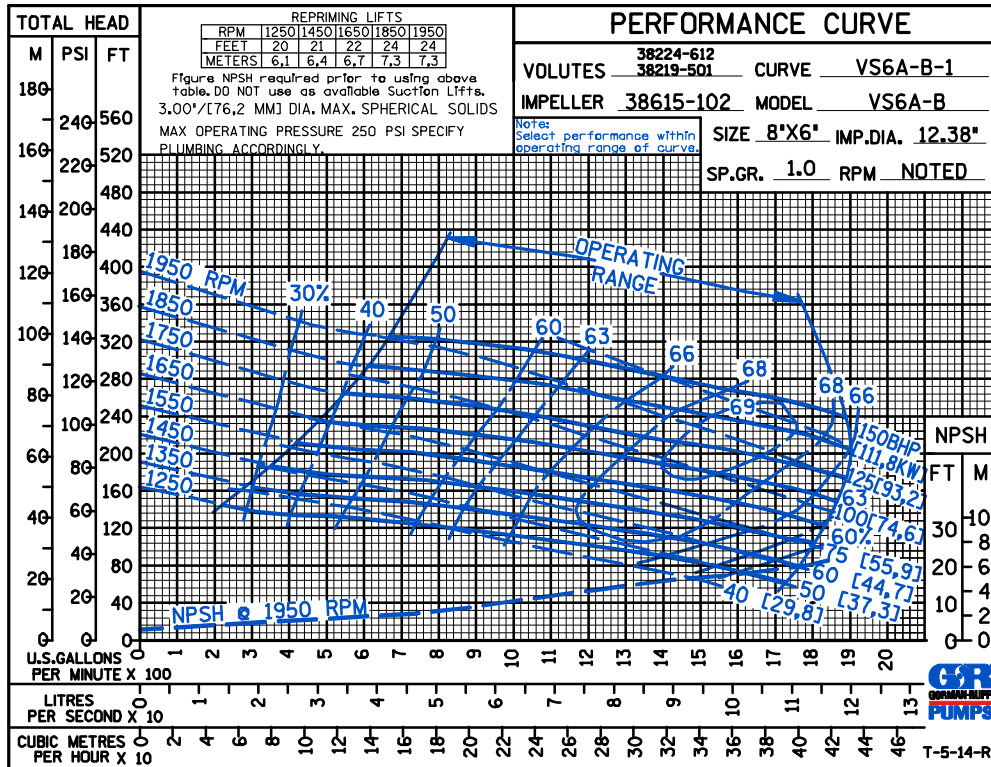
**APPROXIMATE DIMENSIONS and WEIGHTS**

**NET WEIGHT: 1900 LBS. (862 KG.)\***  
**SHIPPING WEIGHT: 1975 LBS. (896 KG.)\***  
**EXPORT CRATE: 74 CU. FT. (2,1 CU. M.)**  
**\*WEIGHTS DO NOT INCLUDE OPTIONAL FLANGE KITS**



**OPTIONAL SUCTION & DISCHARGE FLANGES SHOWN IN PHANTOM**

**MULTI-SPEED CURVE PERFORMANCE BASED ON WATER**  
  
**TOTAL COMBINED H.P. SHOWN**



**GORMAN-RUPP PUMPS**

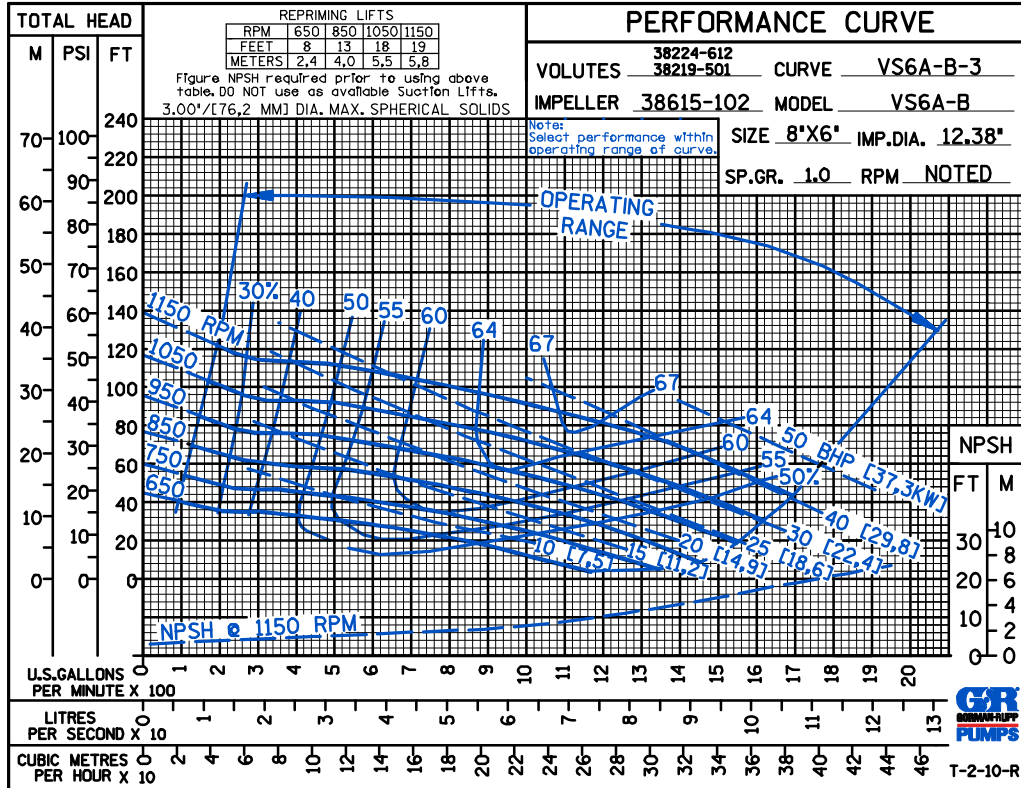
www.grpumps.com

Specifications Subject to Change Without Notice

Printed in U.S.A.

**MULTI-SPEED  
CURVE  
PERFORMANCE  
BASED ON  
WATER**

**TOTAL  
COMBINED  
H.P. SHOWN**



GORMAN-RUPP PUMPS

www.grpumps.com

Specifications Subject to Change Without Notice

Printed in U.S.A.