

General Pump Control & Level Indication

Remote Signal Communicator - Radio



Functional Overview

The MATElec Remote Signal Communicator is designed, manufactured and tested to be compatible with all MATElec liquid level control products where a switched input is required. The system, which comprises two models, mains and solar power versions, enables remote switching, necessary when interlink cabling is either not practical or too costly.

The units are set to communicate a signal burst every 60 seconds, ensuring reliability and consistency. The transmitter and receiver come complete with antennas.

Features

- No interlink cabling is required
- No costly and disruptive excavations
- Up to 500m range (conditions apply)
- Maintenance free
- Australian Standards compliant

PLEASE NOTE:

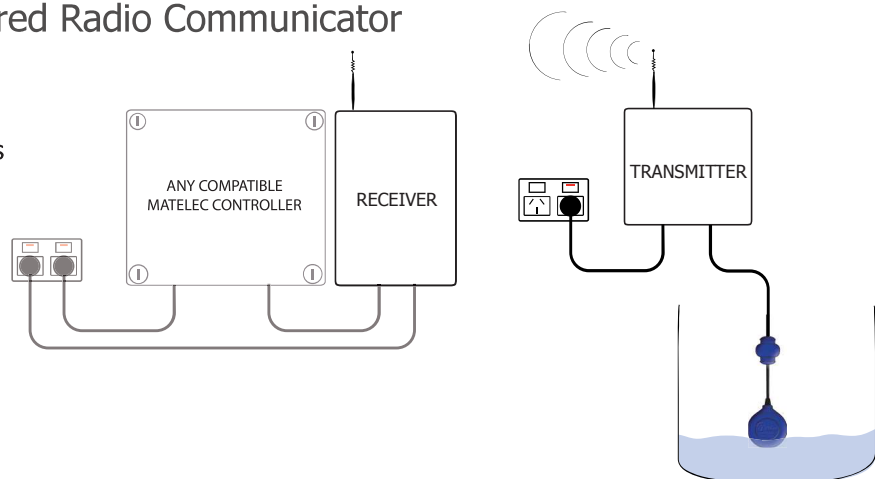
If required, the 'Receiver' Unit from either models, can be mounted within the enclosure of the controller that it is interfacing with. Pricing and implication would be enquiry specific.

Schematics

FPC-13095 Mains Powered Radio Communicator

Kit Includes

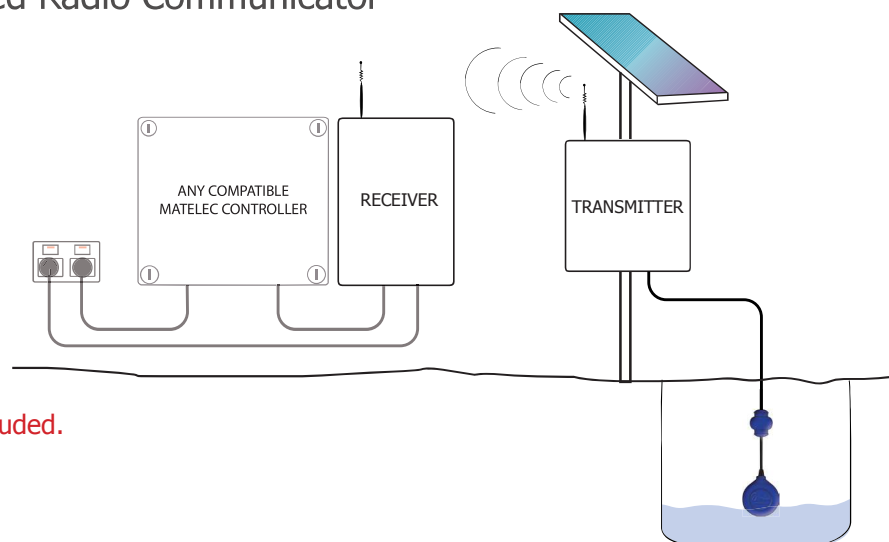
- IP55 Weatherproof Enclosures
- Transmitter
- Receiver



FPC-13096 Solar Powered Radio Communicator

Kit Includes

- IP55 Weatherproof Enclosures
- Transmitter
- Receiver
- Regulator
- 7.2Amp/hr Battery
- 5W Solar Panel



NOTE: Pole for Solar Panel not included.