

# Ran® 1 1/2" (38.1 mm)

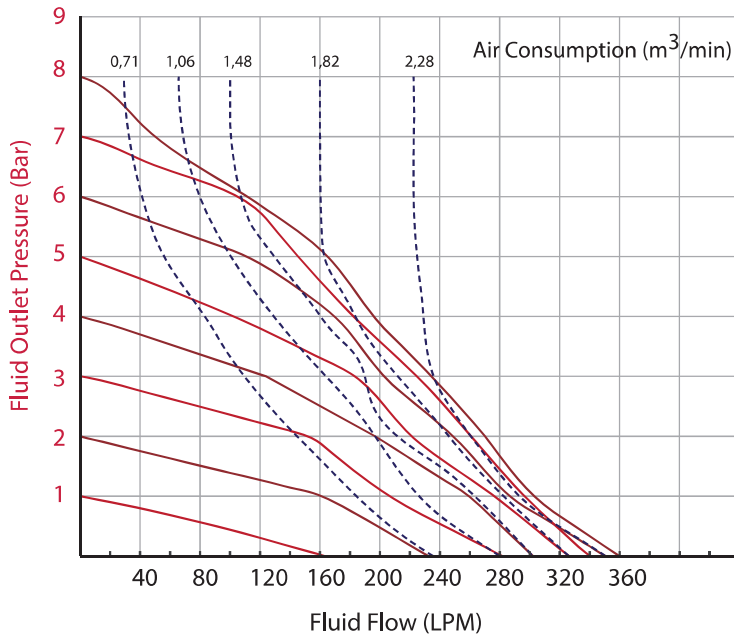
## PVDF Body Diaphragm Pump



### Technical Specifications

Pump Code	E40-PVX-1	Pump Housing Material	PVDF
Max. Flow Rate	360 lpm	Center Section Material	PVDF
Max. Pump Speed	200 cpm	Max. Size Pumpable Solids	4.5 mm
Displacement per cycle	1.8 liter	Max. Suction Lift	5 m
Fluid Inlet- Outlet Size	1 1/2" ANSI Flange	Max. Operating Temperature	80 °C
Air Inlet Size	1/2"	Sound Level	78 dBa (at 5 bar)
Max. Fluid Working Pressure	8 bar	Diaphragm Options	Santoprene - PTFE- BunaN- Viton
Max. Air Consumption	2.68 m <sup>3</sup> /min	Weight	18 kg

### Performance Curves

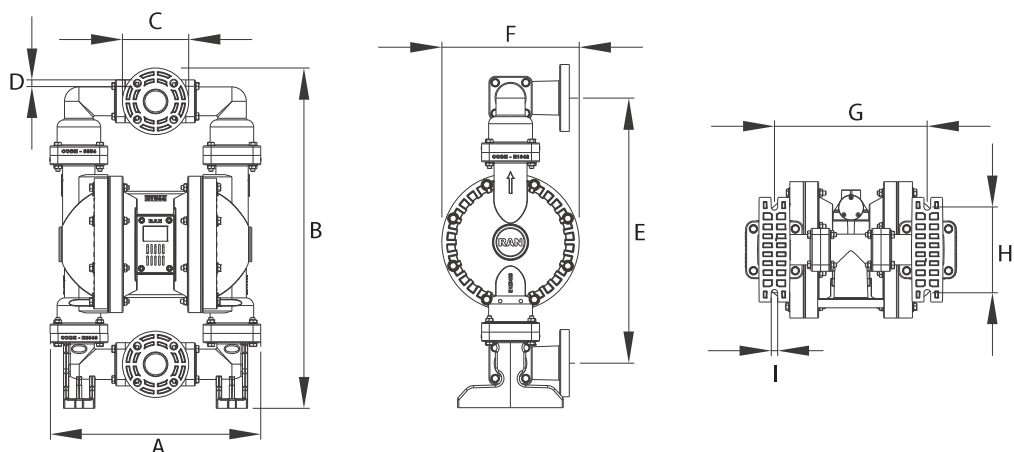


**Test Conditions:** All tests are made with using water and Santoprene diaphragm. Suction hose submerged in the fluid. Muffler not used. If using PTFE diaphragm, capacity decreases by 10%. All the values are shown are approximate and not binding.

**Example:** To pump 187 lpm against a discharge pressure of 4 bar, requires 7 bar and 1.82 m<sup>3</sup>/min air consumption.

### Dimensions

A	385
B	628
C	125
D	13
E	485
F	260
G	275
H	160
I	12.5



All dimensions are in mm.