



# Ran® 1/2" (12.7 mm)

## Cast 316 SS Body Diaphragm Pump

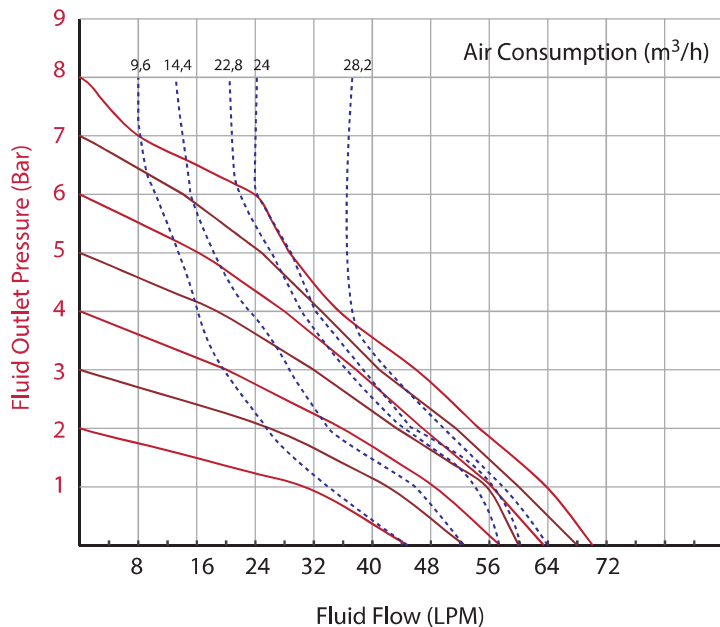


### Technical Specifications

Pump Code	B15-SCX-1
Max. Flow Rate	70.2 lpm
Max. Pump Speed	400 cpm
Displacement per cycle	0.175 liter
Fluid Inlet- Outlet Size	1/2"
Air Inlet Size	1/4"
Max. Fluid Working Pressure	8 bar
Max. Air Consumption	0.44 m <sup>3</sup> /min

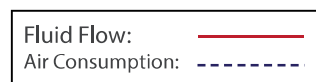
Pump Housing Material	316 Cast Stainless Steel
Center Section Material	Polypropylene
Max. Size Pumpable Solids	2 mm
Max. Suction Lift	4 m
Max. Operating Temperature	105 °C
Sound Level	74 dBa (at 5 bar)
Diaphragm Options	Santoprene - PTFE- BunaN- Viton
Weight	7 kg

### Performance Curves



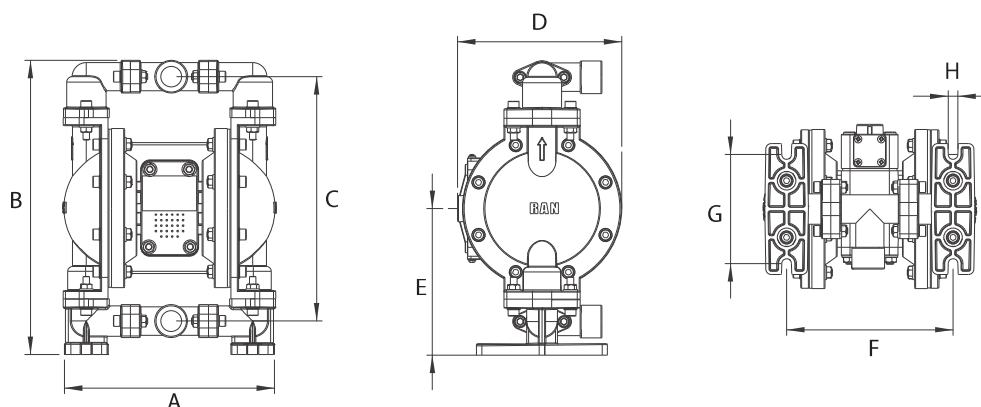
**Test Conditions:** All tests are made with using water and Santoprene diaphragm. Suction hose submerged in the fluid. Muffler not used. If using PTFE diaphragm, capacity decreases by 10%. All the values are shown are approximate and not binding.

**Example:** To pump 45lpm against a discharge pressure of 2.7 bar, requires 7 bar and 28.2 m<sup>3</sup>/h air consumption.



### Dimensions

A	192.5
B	270
C	224
D	150.5
E	135
F	152
G	100
H	9



All dimensions are in mm.