

Super
T SERIES

VARIOUS PATENTS APPLY

Equipped With
ERADICATOR
Solids Management System

Self Priming Centrifugal Pump

Model T2C61SC-B

Size 2" x 2"

**PUMP SPECIFICATIONS****Size:** 2" x 2" (51 mm x 51 mm) NPT - Female.**Casing:** Gray Iron 30.

Maximum Operating Pressure 79 psi (545 kPa).*

Semi-Open Type, Two Vane Impeller: Stainless Steel 316.

Handles 1 1/2" (38,1 mm) Diameter Spherical Solids.

Impeller Shaft: Stainless Steel 17-4 PH.**Shaft Sleeve:** Stainless Steel 316.**Replaceable Self-Cleaning Wear Plate:** Stainless Steel 316.**Adjustable Back Cover Plate:** Gray Iron 30; 20 lbs. (9 kg).**Removable Inspection Cover Plate:** Gray Iron 30; 3.2 lbs. (1,45 kg.).**Seal Plate:** Stainless Steel 316.**Flap Valve:** Neoprene ^w/Steel Reinforcing.**Bearing Housing:** Gray Iron 30.**Radial Bearing:** Open Single Row Ball.**Thrust Bearing:** Open Double Row Ball.**Bearing and Seal Cavity Lubrication:** SAE 30 Non-Detergent Oil.**Flanges:** Gray Iron 30.**Gaskets:** Buna-N, Vegetable Fiber, Cork and Rubber.**O-Rings:** Buna-N.**Internal Wetted Hardware:** Stainless Steel 316.**External Hardware:** Standard Plated Steel.**Stainless Steel 316 Pressure Relief Valve.****Bearing and Seal Cavity Oil Level Sight Gauges.****Optional Equipment:** Automatic Air Release Valve. 120V/240V

Casing Heater. High Pump Temperature Shutdown Kit.

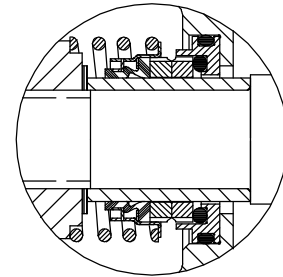
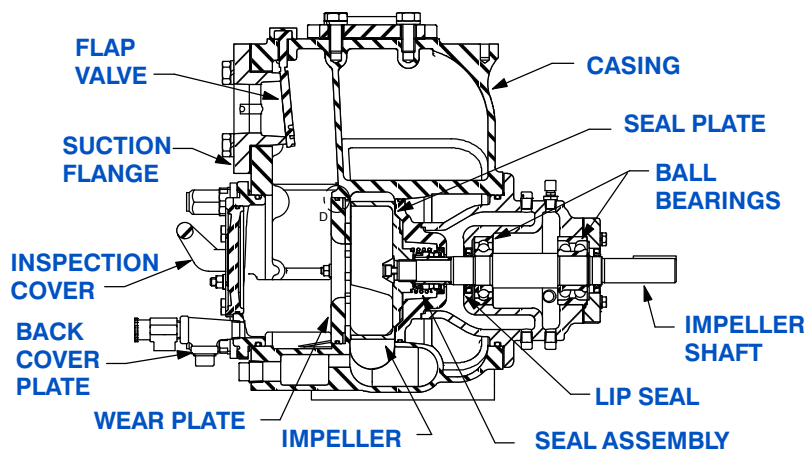
CD4MCu Stainless Steel Seal Plate, Wear Plate and Impeller.

Self-Cleaning Wear Plate.

Gray Iron 30 Suction and Discharge Spool Flanges:

2" ASA (**Specify Model T2A61-B /F**).50 mm DIN 2527 (PN 16) (**Specify Model T2A61-B /FM**).

*Consult Factory for Applications Exceeding Maximum Pressure and/or Temperature Indicated.

**SEAL DETAIL**

Mechanical, Oil-Lubricated, Double Floating, Self-Aligning. Silicon Carbide Rotating and Stationary Faces. Stainless Steel 316 Stationary Seat. Fluorocarbon Elastomers (DuPont Viton[®] or Equivalent). Stainless Steel 18-8 Cage and Spring. Maximum Temperature of Liquid Pumped, 160°F (71°C).*

GR
GORMAN-RUPP
PUMPS

GORMAN-RUPP PUMPS

www.grpumps.com

Specifications Subject to Change Without Notice

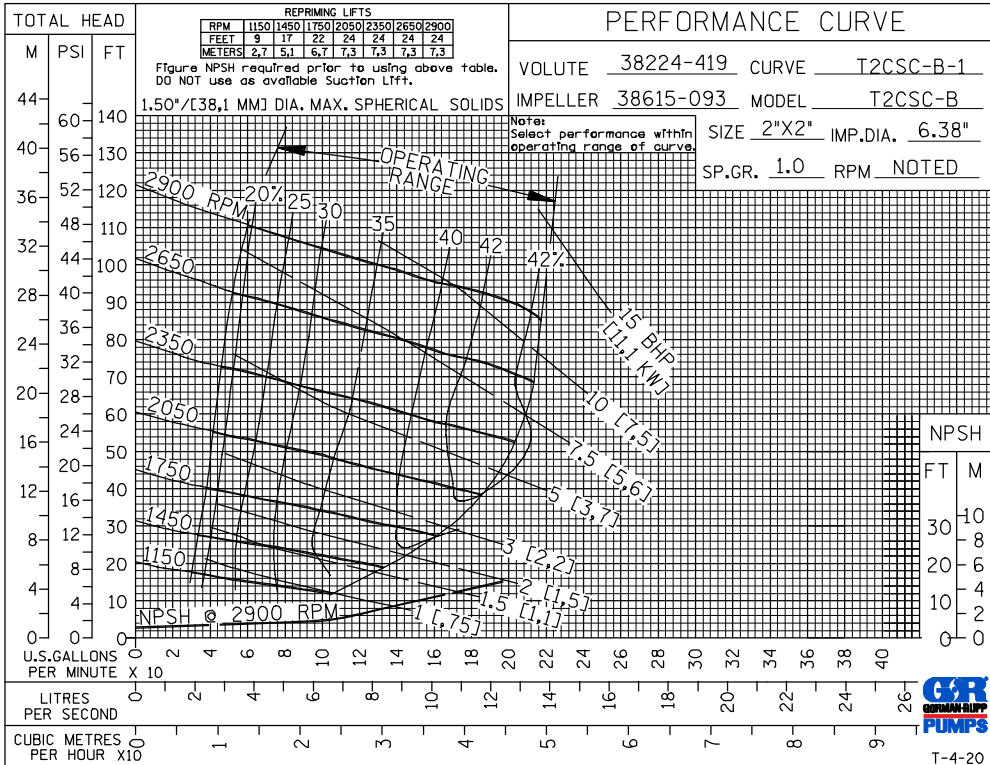
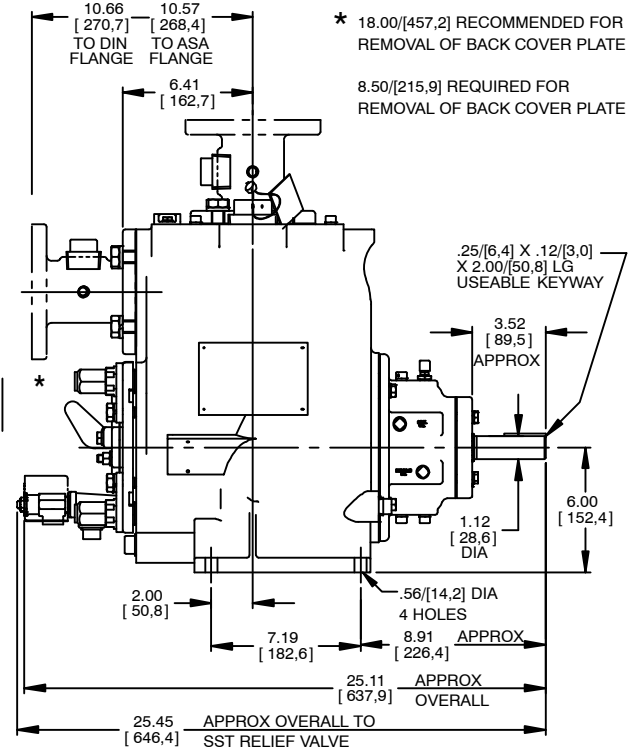
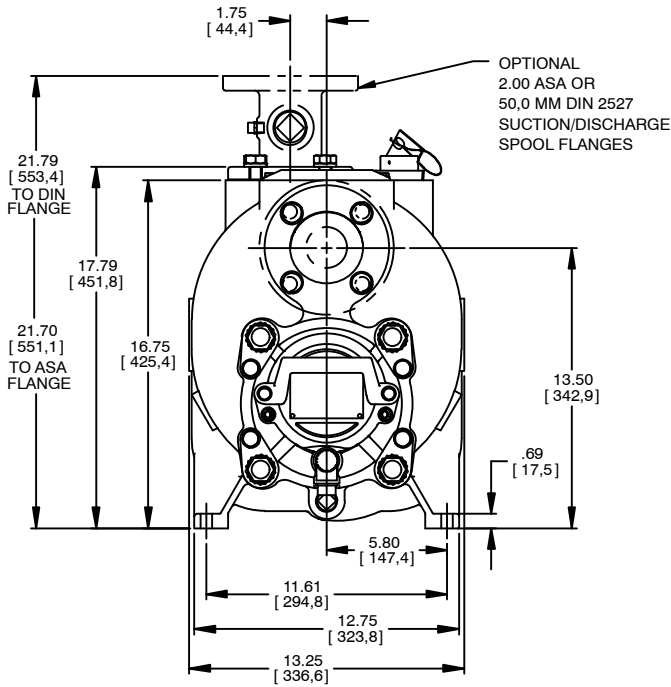
Printed in U.S.A.

Specification Data

SECTION 55, PAGE 1920

APPROXIMATE DIMENSIONS and WEIGHTS

NET WEIGHT: 230 LBS. (104 KG.)*
SHIPPING WEIGHT: 240 LBS. (109 KG.)*
EXPORT CRATE: 7.9 CU. FT. (0,22 CU. M.)
***ADD 8 LBS. (3,6 KG.) W/EACH SPOOL FLANGE**



GORMAN-RUPP PUMPS

www.grpumps.com

Specifications Subject to Change Without Notice

Printed in U.S.A.