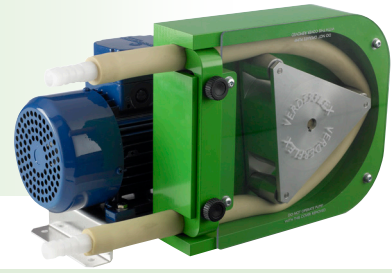


# Verderflex Rapide R12



VERDERFLEX®

## Verderflex Rapide R12 Specifications

Standard Speeds	93 and 140 RPM
Control	Inverter Optional
Rotor Assembly	Anodised Aluminium with Three Nylatron® Rollers
Voltage	230/400V 50Hz (Single Phase Available to special order)
Installed Motor Power	0.18 kW 50Hz
Protection Class	IP55
Standard Tube Options	Verderprene, Silicone
Tube Size	15.9 x 4.8 mm
Weight	12kg

## Flow Rates

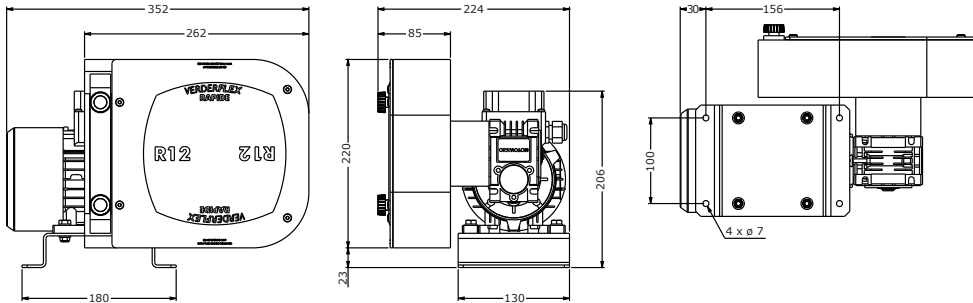
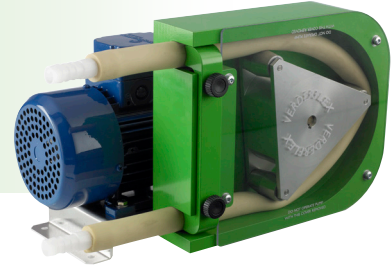
Tube	RPM	Flow ml/min	Flow l/hr
15.9 x 4.8	*56	5,600	336
15.9 x 4.8	*70	7,000	420
15.9 x 4.8	93	9,300	558
15.9 x 4.8	140	14,000	840

Nominal pump speed based on 50Hz operation  
\*56 and 70 RPM are a non-standard speed

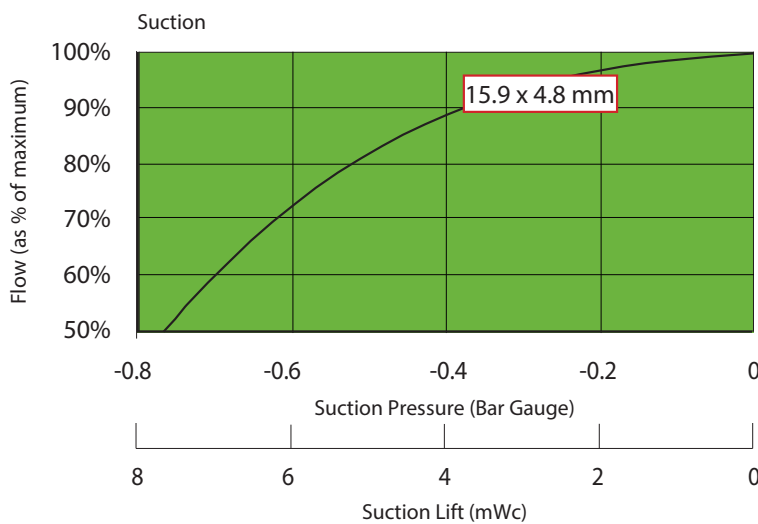
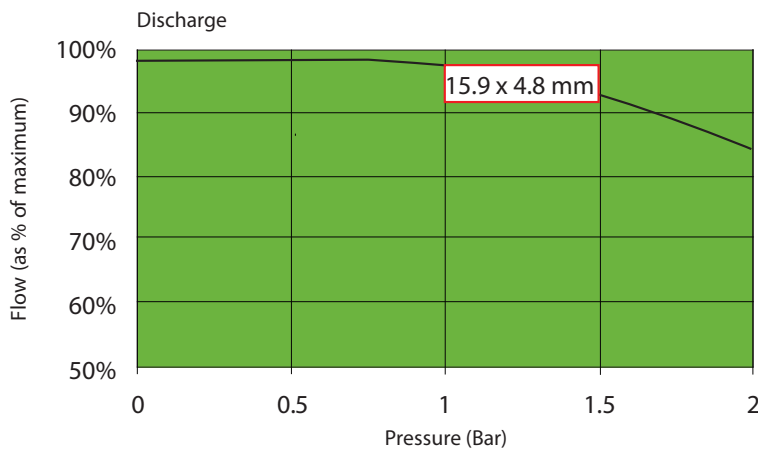
Flows are typical and were measured with water at 20°C with no suction lift or discharge pressure. Actual flows will vary according to suction conditions, discharge pressure, tube material and production tolerances.



# Verderflex Rapide R12



All dimensions are in mm.  
All dimensions and weights are for guidance only.



Find your local supplier  
at [www.verderflex.com](http://www.verderflex.com)

For construction installation and floor mounting drawings  
please contact your local authorised Verderflex® distributor.

**VERDER**  
passion for pumps