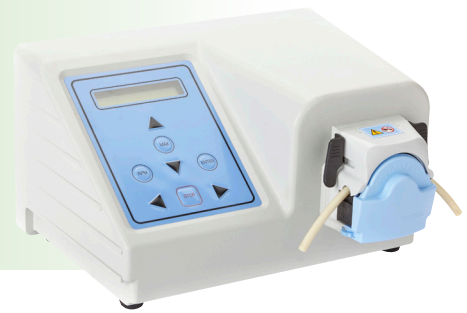


Verderflex

Vantage 3000 C EZ



VERDERFLEX®

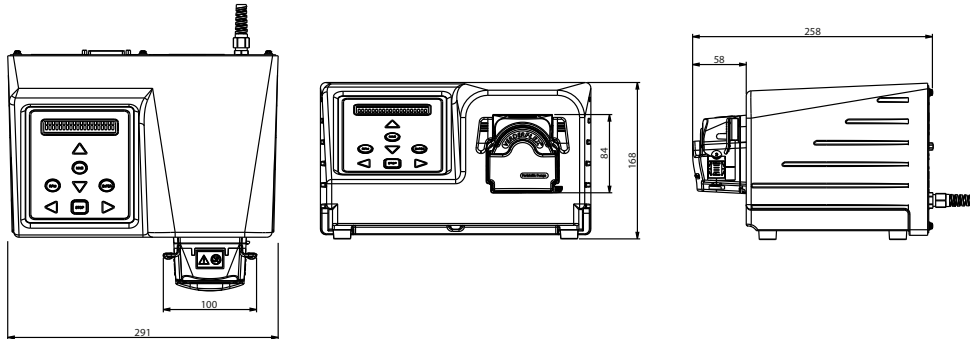
Verderflex Vantage 3000 C EZ Specification	
Pump head	Acetal and Polyamide, Stainless Steel Shafts, Nylatron® Rollers, Ball Race Bearings
Control Options	Analogue Inputs (0-10V DC / 4 to 20mA), Potentiometer (10kΩ), Remote Stop / Start / Reverse (Footswitch Option Available)
Software Features	Keypad Lock, Memory Dose
Display	2 Line Alphanumeric Display
Motor	24 Hour Duty Brushless DC
Rotor	Polycarbonate with Nylatron® Rollers
Power Supply	85 - 265V AC 50/60Hz with Fuseless Resettable Switch
Speed	10 to 250 RPM
Temperature	5°C - 40°C
Protection Class	IP66
Standard Tube	Verderprene, Silicone, Tygon®, Viton®
Tube Sizes	1.6 x 1.6mm, 3.2 x 1.6mm, 4.8 x 1.6mm, 6.4 x 1.6mm and 8.0 x 1.6mm
Weight	4.5 kg
Number of Heads	Single Head Standard, expandable to 4 using ES Stacking Heads (depending on tube size)

Flow Rates

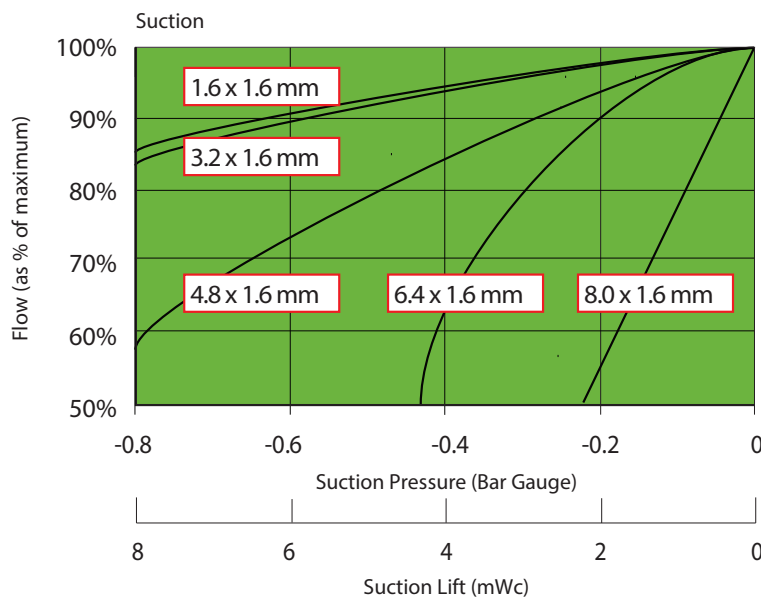
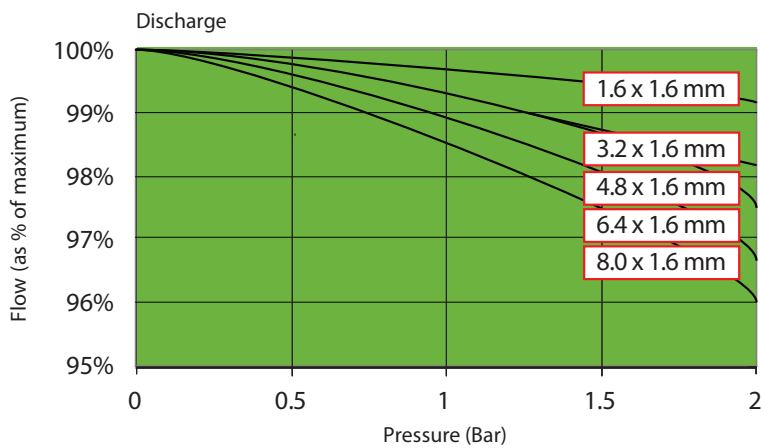
Tube (ID x WT)	RPM	Flow ml/min	Flow l/hr
1.6 x 1.6 mm	10	2.9	0.17
1.6 x 1.6 mm	75	21	1.3
1.6 x 1.6 mm	150	42	2.5
1.6 x 1.6 mm	250	70	4.2
3.2 x 1.6 mm	10	10.7	0.64
3.2 x 1.6 mm	75	81	4.9
3.2 x 1.6 mm	150	161	9.7
3.2 x 1.6 mm	250	268	16
4.8 x 1.6 mm	10	23.3	1.4
4.8 x 1.6 mm	75	175	10.5
4.8 x 1.6 mm	150	353	21.1
4.8 x 1.6 mm	250	588	35.3
6.4 x 1.6 mm	10	37.3	2.24
6.4 x 1.6 mm	75	282	16.9
6.4 x 1.6 mm	150	563	33.8
6.4 x 1.6 mm	250	938	56
8.0 x 1.6 mm	10	52.7	3.16
8.0 x 1.6 mm	75	393	23.6
8.0 x 1.6 mm	150	788	47.3
8.0 x 1.6 mm	250	1310	78.8

Flows are typical and were measured with water at 20°C with no suction lift or discharge pressure. Actual flows will vary according to suction conditions, discharge pressure and normal component production tolerances.

Verderflex Vantage 3000 C EZ



All dimensions are in mm.
All dimensions and weights are for guidance only.



VF_Techno_Vantage_3000_Rev02_2018_(eu)

**Find your local supplier
at www.verderflex.com**

For construction installation and floor mounting drawings
please contact your local authorised Verderflex® distributor.

VERDER
passion for pumps