

Direct drive gear pump-motor units DGD series

The DGD direct drive gear pumps have a housing is Vectra and a variety of elastomers for the widest chemical compatibility.

Built to handle clean water and relatively viscous fluids at low pressure, the DGD series pump-motor unit has low pulsation and is capable of handling fluids at a maximum temperature of 70 °C (158 F). The extreme compactness of its design makes it the preferred choice where space is limited. Suction/discharge ports are 8 mm barbed end or with a 6 mm quick connector.

Motor version (brush type):

- 1500 rpm, 24 V DC
- 3400 rpm, 24 V DC
- 3900 rpm, 24 V DC

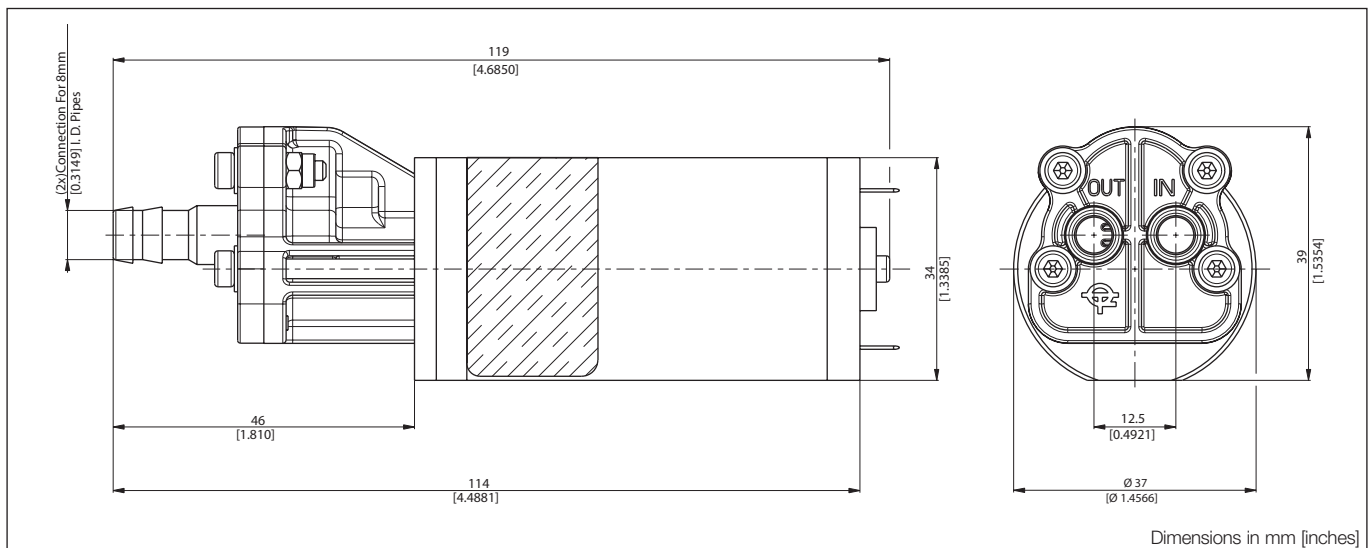


MAIN APPLICATIONS

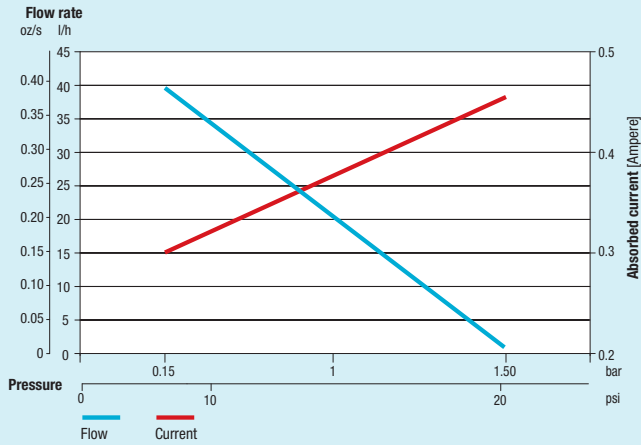
- Water purification
- Spraying
- Condensation removal
- Syrup dispensing
- Vending machines
- Food processing
- Digital macro printing



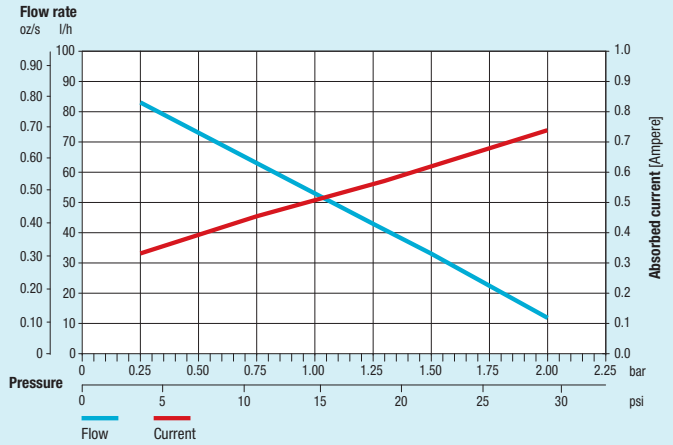
MODEL NUMBER MATRIX						POS	DESCRIPTION	CODE
Position	1	2	3	4	5	Customiz.		
Code	DGD	09	N	AA	A01	0000		
							1 Pump series	DGD = direct drive
							2 Gears width	04 = 4 mm 09 = 9 mm
							3 Elastomer material	N = NBR V = VITON® E = EPDM
							4 Front and rear housing	AA = Fitting for Ø8 pipe (VECTRA + VECTRA) BA = Fitting for Ø8 pipe (VECTRA + AISI 316L)
							5 Motor speed	A01 = 1500 rpm A02 = 3400 rpm A03 = 3900 rpm



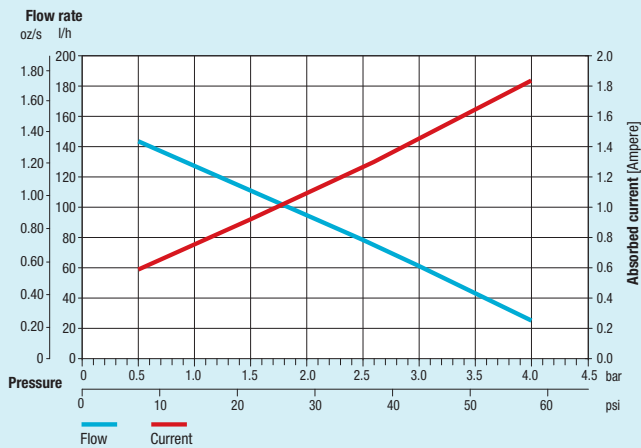
DGD04 @ 1500 rpm



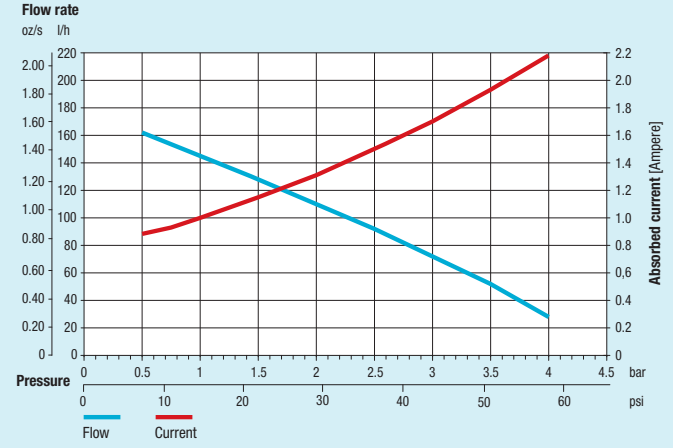
DGD09 @ 1500 rpm



DGD09 @ 3400 rpm



DGD09 @ 3900 rpm



Note: Characteristics with water at 20 °C (68 F). Weight: 0.34 kg (0.74 Lb).
For applications involving other fluids, high temperatures or unusual processing conditions, please consult the factory or an authorized Fluid-o-Tech distributor.

Fluid-o-Tech reserves the right to alter the specifications indicated in this catalogue at any time and without prior notice.

Fluid-o-Tech srl
Via Leonardo da Vinci, 40
20094 Corsico, Milano, Italy
Tel. +39 02 9995 01
Fax +39 02 9995 0999
info@fluidotech.it

Fluid-o-Tech Int'l Inc.
161 Atwater St.,
06479 Plantsville CT (USA)
Tel. +1 (860) 276 9270
Fax +1 (860) 620 0193
info@fluid-o-tech.com

Fluid-o-Tech Int'l Inc. Japan
201, 4-3-10, Todoroki,
Setagaya, Tokyo 158-082, Japan
Tel. +81 (0) (3) 6432 1812
Fax +81 (0) (3) 6432 1813
erkkato@fluidotech.jp

Fluid-o-Tech Asia (Beijing) Co., Ltd
Jingwei Industrial Zone,
Beifang Huairou, Beijing, 101400, PRC
Tel. +86 (0) (10) 6168 4650
Fax +86 (0) (10) 6168 4651
info@fluidotech-asia.com