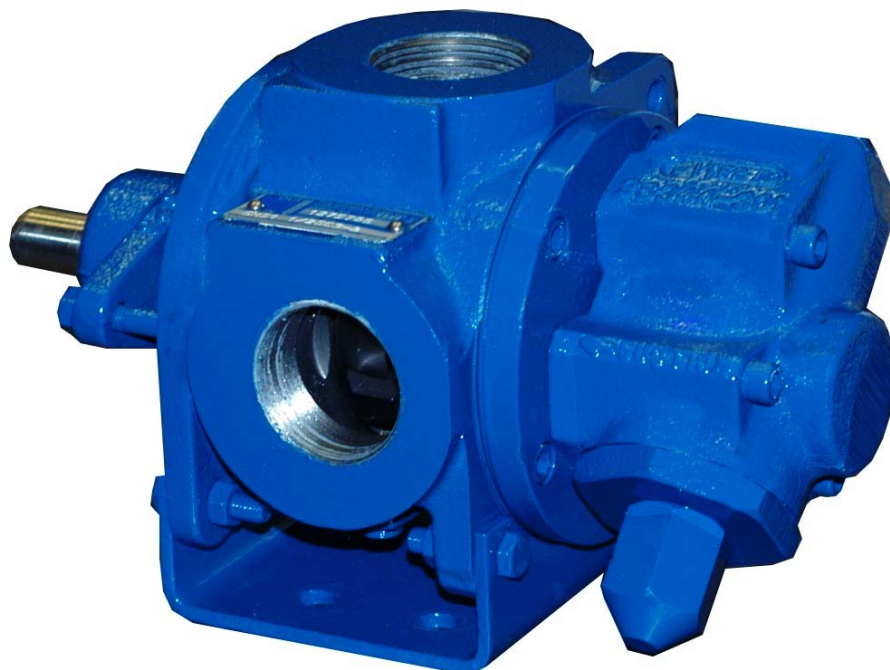


PUMP SPECIFICATION BULLETIN

**GMS SERIES
 MEDIUM DUTY STANDARD;
 D, G, J, N & R SIZE
 ROTARY GEAR PUMP**



The GMS series is designed for applications in the operating ranges noted below. These units are available with head and backhead jackets (R size only) for temperature control, carbon graphite bushings for low viscosity liquids, silicon carbide bushings for wear resistance, and carbide, positive drive or packing seals for viscous sealing.

For continuous service, or for handling more viscous liquids, see the heavy duty GHS section.

For belt driven applications, select an extended shaft option and consult factory for availability of drive assembly. A pedestal bearing is required for belt driven applications.

FEATURES

150 PSI CAPABILITY
SELF-CONTAINED, NO EXTERNAL BEARING REQUIRED (UNLESS BELT DRIVEN)
HIGH STRENGTH, COMPUTER PROFILED GEARING FOR QUIET OPERATION
THRUST CONTROLLED PUMP ELEMENTS
EXCEPTIONAL SEAL VERSATILITY

OPERATING RANGE

CAPACITY (GPM) : (3 TO 265)
 [LPM] : [11 TO 930]

PRESSURE (PSI) : (0 TO 150)
 [BAR] : [0 TO 10.3]

VISCOSITY (SSU) : (28 TO 250,000)
 [cSt] : [1 TO 55,000]

TEMPERATURE (F) : (-40° TO 450°)
 [C] : [-40° TO 230°]

APPLICATIONS

- ★ BOOSTER SERVICE
- ★ CIRCULATING
- ★ FILTERING
- ★ LUBRICATING
- ★ TRANSFERRING

THE GORMAN-RUPP COMPANY • MANSFIELD, OHIO

EXT.	ROTOR & IDLER	HOUSING PORTS	BUSHINGS	IDLER PIN	SHAFT	SHAFT SEALING		ROT.	INTERNAL RELIEF VALVE	
						MECH. SEAL ●	PACKING ■		MATERIAL	SETTING
CAST IRON	HIGH STRENGTH IRON	90° TAPPED	BRONZE	HARDENED STEEL		FLUORO ^① CARBON, NI-RESIST	PTFE, ^② GRAPHITE	C.W.	DUCTILE IRON	75 PSI [5 BAR]

Standard Models

G M S 1 DC 3 - B
 GEAR DUTY DESIGN PORT SIZE HYDRAULIC SEAL STYLE

MODEL NUMBER	NOM. CAPACITY - SPEED				MAXIMUM				SHIPPING DATA	
	MAXIMUM		ALTERNATIVE		DIFFERENTIAL PRESSURE-PSI [BAR]			TEMP.	Weight	Volume
	GPM	RPM	GPM	RPM	BELOW	38 TO	100 TO	°F	LBS	CU. FT.
	[LPM]	60 Hz [50 Hz]	[LPM]	60 Hz [50 Hz]	38 SSU [4 cSt]	100 SSU [21 cSt]	250,000 SSU [55,000 cSt]	[°C]	[KG]	FT.
GMS 1DC 3-B ● GMS 1DC 4-B ■	9 [28]		6 [19]					● 400 [205] ■ 450 [230]	19 [8,6]	0.6
GMS 1DE 3-B ● GMS 1DE 4-B ■	11 [35]		7 [22]						19 [8.6]	0.6
GMS 1-1/2 GC 3-B ● GMS 1-1/2 GC 4-B ■	16 [50]		10 [32]						32 [14,5]	2.9
GMS 2 GC 3-B ● GMS 2 GC 4-B ■									32 [14,5]	2.9
GMS 1-1/2 GF 3-B ● GMS 1-1/2 GF 4-B ■	23 [73]	1750 [1460]	15 [47]	1150 [960]					32 [14,5]	2.9
GMS 2 GF 3-B ● GMS 2 GF 4-B ■									32 [14,5]	2.9
GMS 1-1/2 GH 3-B ● GMS 1-1/2 GH 4-B ■	31 [98]		20 [63]		50 [3]	75 [5]	150 [10.3]		32 [14,5]	2.9
GMS 2 GH 3-B ● GMS 2 GH 4-B ■									32 [14,5]	2.9
GMS 1-1/2 GJ 3-B ● GMS 1-1/2 GJ 4-B ■	38 [120]		25 [79]						32 [14,5]	2.9
GMS 2 GJ 3-B ● GMS 2 GJ 4-B ■									32 [14,5]	2.9
GMS 2 JG 3-B ● GMS 2 JG 4-B ■									83 [37,6]	2.9
GMS 2-1/2 JG 3-B ● GMS 2-1/2 JG 4-B ■	33 [126]	960 [960]	30 [95]	870 [725]					83 [37,6]	2.9
GMS 3 JG 3-B ● GMS 3 JG 4-B ■									83 [37,6]	2.9
STANDARD MODELS CONT.										

NOTE: RECOMMENDED PORT SIZES ARE SHOWN IN **BOLDFACE**. EXAMPLE: **GMS 2GJ3-B**

● MECHANICAL SEAL

■ PACKING/LIPSEAL

① DUPONT VITON® OR EQUIVALENT

② DUPONT TEFLON® OR EQUIVALENT

THE GORMAN-RUPP COMPANY • MANSFIELD, OHIO

www.grpumps.com

SUPERSEDES ALL PREVIOUS ISSUES

©2008 The Gorman-Rupp Company

Standard Models

MODEL NUMBER	NOM. CAPACITY - SPEED				MAXIMUM				SHIPPING DATA	
	MAXIMUM		ALTERNATIVE		DIFFERENTIAL PRESSURE-PSI [BAR]			TEMP.	Weight	Volume
	GPM [LPM]	RPM 60 Hz [50 Hz]	GPM [LPM]	RPM 60 Hz [50 Hz]	BELOW 38 SSU [4 cSt]	38 TO 100 SSU [21 cSt]	100 TO 250,000 SSU [55,000 cSt]	°F [°C]		
GMS 2 JJ 3-B ● GMS 2 JJ 4-B ■	47 [177]	960 [960]	42 [133]	870 [725]	50 [3]	75 [5]	150 [10.3]	● 400 [205]	83	2.9
GMS 2-1/2 JJ 3-B ● GMS 2-1/2 JJ 4-B ■									83 [37,6]	2.9
GMS 3 JJ 3-B ● GMS 3 JJ 4-B ■									83 [37,6]	2.9
GMS 2 JL 3-B ● GMS 2 JL 4-B ■	64 [243]	960 [960]	58 [183]	870 [725]	50 [3]	75 [5]	150 [10.3]	● 400 [205]	83	2.9
GMS 2-1/2 JL 3-B ● GMS 2-1/2 JL 4-B ■									83 [37,6]	2.9
GMS 3 JL 3-B ● GMS 3 JL 4-B ■									83 [37,6]	2.9
GMS 2 JP 3-B ● GMS 2 JP 4-B ■	89 [338]	960 [960]	81 [256]	580 [480]	50 [3]	75 [5]	150 [10.3]	● 400 [205]	83	2.9
GMS 2-1/2 JP 3-B ● GMS 2-1/2 JP 4-B ■									83 [37,6]	2.9
GMS 3 JP 3-B ● GMS 3 JP 4-B ■									83 [37,6]	2.9
GMS 1-1/2 NK 3-B ● GMS 1-1/2 NK 4-B ■	90 [283]	870 [725]	60 [189]	580 [480]	50 [3]	75 [5]	150 [10.3]	■ 450 [230]	109	2.9
GMS 2 NK 3-B ● GMS 2 NK 4-B ■									109 [49]	2.9
GMS 2-1/2 NK 3-B ● GMS 2-1/2 NK 4-B ■									109 [49]	2.9
GMS 3 NK 3-B ● GMS 3 NK 4-B ■	120 [378]	870 [725]	80 [252]	580 [480]	50 [3]	75 [5]	150 [10.3]	■ 450 [230]	109	2.9
GMS 2 NM 3-B ● GMS 2 NM 4-B ■									109 [49]	2.9
GMS 2-1/2 NM 3-B ● GMS 2-1/2 NM 4-B ■									109 [49]	2.9
GMS 3 NM 3-B ● GMS 3 NM 4-B ■	150 [473]	870 [725]	99 [312]	580 [480]	50 [3]	75 [5]	150 [10.3]	■ 450 [230]	109	2.9
GMS 2 NP 3-B ● GMS 2 NP 4-B ■									109 [49]	2.9
GMS 2-1/2 NP 3-B ● GMS 2-1/2 NP 4-B ■									109 [49]	2.9
GMS 3 NP 3-B ● GMS 3 NP 4-B ■									109	2.9

STANDARD MODELS CONT.

- MECHANICAL SEAL
- PACKING/LIPSEAL

NOTE: RECOMMENDED PORT SIZES ARE SHOWN IN **BOLDFACE**. EXAMPLE: **GMS 2GJ 3-B**

THE GORMAN-RUPP COMPANY • MANSFIELD, OHIO

www.grpumps.com

SUPERSEDES ALL PREVIOUS ISSUES

©2008 The Gorman-Rupp Company

MODEL NUMBER	NOM. CAPACITY - SPEED				MAXIMUM				SHIPPING DATA	
	MAXIMUM		ALTERNATIVE		DIFFERENTIAL PRESSURE - PSI [BAR]			TEMP.	Weight LBS [KG]	Volume CU. FT.
	GPM [LPM]	RPM 60 Hz [50 Hz]	GPM [LPM]	RPM 60 Hz [50 Hz]	BELOW 38 SSU [4 cSt]	38 TO 100 SSU [21 cSt]	100 TO 250,000 SSU [55,000 cSt]	°F [°C]		
GMS 2 RM 3-B ● GMS 2 RM 4-B ■	153 [542]		115 [362]	480 [400]				● 400 [205]	233 [106]	10.7
GMS 2-1/2 RM 3-B ● † GMS 2-1/2 RM 4-B ■ †									233 [106]	10.7
GMS 3 RM 3-B ● † GMS 3 RM 4-B ■ †									233 [106]	10.7
GMS 4 RM 3-B ● † GMS 4 RM 4-B ■ †									233 [106]	10.7
GMS 2-1/2 RP 3-B ● † GMS 2-1/2 RP 4-B ■ †	190 [678]	640 [600]	143 [451]		50 [3]	75 [5]	150 [10.3]	● 400 [205]	233 [106]	10.7
GMS 3 RP 3-B ● † GMS 3 RP 4-B ■ †									233 [106]	10.7
GMS 4 RP 3-B ● † GMS 4 RP 4-B ■ †									233 [106]	10.7
GMS 2-1/2 RR 3-B ● † GMS 2-1/2 RR 4-B ■ †									233 [106]	10.7
GMS 3 RR 3-B ● † GMS 3 RR 4-B ■ †	228 [804]		170 [536]					■ 450 [230]	233 [106]	10.7
GMS 4 RR 3-B ● † GMS 4 RR 4-B ■ †									233 [106]	10.7
GMS 3 RS 3-B ● † GMS 3 RS 4-B ■ †	265 [930]		196 [618]						233 [106]	10.7
GMS 4 RS 3-B ● † GMS 4 RS 4-B ■ †									233 [106]	10.7

NOTE: RECOMMENDED SIZES ARE SHOWN IN **BOLDFACE**. EXAMPLE: **GMS 2GJ 3-B**

SEAL LIMITATIONS:				
● MECH. SEAL OPTIONS	MAXIMUM DISCHARGE PRESSURE (PSI [BAR])		MAXIMUM VISCOSITY (SSU [cSt])	TEMPERATURE RANGE (°F [°C])
	NON-LUBRICATING LIQUID	LUBRICATING LIQUID		
STD	100 [7]	150 [10.5]	15,000 [3250]	0 to 400 [-17 to 204]
60A	100 [7]	150 [10.5]	15,000 [3250]	-50 to 225 [-45 to 107]
60D	200 [14]	350 [24]	25,000 [5417]	-75 to 500 [-60 to 260]
61J	100 [7]	200 [14]	15,000 [3250]	0 to 400 [-17 to 204]
■ PACKING/ LIPSEAL OPTIONS	MAXIMUM DISCHARGE PRESSURE (PSI [BAR])		MAXIMUM VISCOSITY (SSU [cSt])	TEMPERATURE RANGE (°F [°C])
STD	400 [28]		250,000 [55,000]	-50 to 500 [-45 to 260]
65A	15 [1]		25,000 [5,500]	0 to 350 [-17 to 177]
65B	15 [1]		25,000 [5,500]	-50 to 225 [-45 to 107]

† PORTS ARE COMPATIBLE WITH 125# ANSI CAST IRON FLANGES. ALL OTHER PORTS ARE TAPPED NPT FOR ANSI PIPE. OPTIONAL [DIN] FLANGES OR TAPPED [BSP] PORTS AVAILABLE FOR EXPORT MARKET.

THE GORMAN-RUPP COMPANY • MANSFIELD, OHIO

www.grpumps.com

SUPERSEDES ALL PREVIOUS ISSUES

©2008 The Gorman-Rupp Company

BUSHING LIMITATIONS:

Bushing Material	Optimal Viscosity Range	Temp Limit, °F[C]	Abrasives	Corrosives
STD, 40G, 40J, 70B	500 TO 100,000 SSU	450 [232]	No	No
40B, 40C, 40K, 70A	0.1 cPs to 2,000,000 SSU	400 [205]	No	Yes *
40U, 41U, 70M	0.1 cPs to 2,000,000 SSU	400 [205]	Yes	Yes *

Note: * Consult chemical compatibility charts for new applications.

CATEGORY

STANDARD

OPTIONAL NUMBER & DESCRIPTION

ROTATION

C.W. (VIEWED FROM SHAFT END)

01A C.C.W.

01B BI-ROTATION ① ②

HOUSING PORTS

90°

HYDRAULIC SIZE

PORT

05A	DC, DE	1" NPT - 180°
05B	GC, GF, GH, GJ	1-1/2" NPT - 180°
05D	GC, GF, GH, GJ JG, JJ, JL, JP	2" NPT - 180°
05F	JG, JJ , JL, JP	2-1/2" NPT - 180°
05G	RM, RR, RP	2-1/2" NPT - 90°
05H	JG, JJ, JL, JP	3" NPT - 180°
05J	RM, RP, RR, RS	3" NPT - 90°
07D	JG, JJ, JL, JP NK, NM, NP	3" - 11 BSP 90°
07E	JG, JJ, JL, JP	3" - 11 BSP 180°
07F	RM, RP, RR, RS	80 mm 25 BAR DIN FLG - 90°
07H	RM, RP, RR, RS	100 mm 25 BAR DIN FLG - 90°

MATCH **BOLDFACE** OPTIONS WITH **BOLDFACE** MODELS.
 EX: **GMS 2GJ 3-B** OPT. 05D CHANGES PORT TO 180°
 GMS 1-1/2GJ 3-B OPT. 05B CHANGES PORT TO 180°

OPTIONS CONTINUED

CONSULT FACTORY FOR ADDITIONAL OPTIONS

① 180° PORT HOUSINGS WITH 2 RELIEF VALVES RECOMMENDED.

② DO NOT ALLOW DISCHARGE PRESSURE TO EXCEED RATED SEAL PRESSURE. SEE SEAL LIMITATION TABLE.

THE GORMAN-RUPP COMPANY • MANSFIELD, OHIO

www.grpumps.com

SUPERSEDES ALL PREVIOUS ISSUES

©2008 The Gorman-Rupp Company

CATEGORY	STANDARD	OPTION NUMBER & DESCRIPTION		
HOUSING PORT CLOCK POSITION	90° (3 O'CLOCK SUCTION - 12 O'CLOCK DISCHARGE) (VIEWED FROM SHAFT END)	90° (3-12)	180° (3-9)	
		15A 12-9		
RELIEF VALVE	LOW PRESSURE RELIEF VALVE DUCTILE IRON/FLUORO ^⑤ 90° HEAD MOUNT 180° HOUSING MOUNT FOR CRACKING PRESSURE RANGES REFER TO SECTION 500	25A	HIGH PRESSURE	
		25C	LESS RELIEF VALVE	
		25D	2 VALVES - LOW PRESSURE ^①	
		25E	2 VALVES - HIGH PRESSURE ^①	
		25G	RETURN TO TANK - LOW PRESSURE, NEOPRENE O-RING	
		25H	RETURN TO TANK - HIGH PRESSURE, NEOPRENE O-RING	
		25J	LOW PRESSURE, PTFE ENCAPSULATED O-RING ^④	
		25K	HIGH PRESSURE, PTFE ENCAPSULATED O-RING ^④	
		25L	LESS RELIEF VALVE, PTFE ENCAPSULATED O-RING ^④ ^⑥	
GEAR TRIM	NO TRIM	35C	C TRIM (VISCOSITY)	FOR VISCOSITY/TEMPERATURE TRIM CHART REFER TO SECTION 500. (TRIM ACCORDING TO TEMPERATURE AND VISCOSITY; CONTACT DISTRIBUTOR OR FACTORY)
		35D	D TRIM (VISCOSITY)	
		35J	T2A TRIM (TEMP)	
		35L	T2C TRIM (TEMP/VISCOSITY)	
		35M	T2D TRIM (TEMP/VISCOSITY)	
		35X	CUSTOM TRIM	
HEAD IDLER IDLER BUSHING	CAST IRON HIGH STRENGTH IRON BRONZE	40B	BRONZE IDLER GEAR, CARBON GRAPHITE IDLER BUSHING	
		40C	CARBON GRAPHITE IDLER BUSHING	
		40G	HEAD JACKET ^② ^③	
		40J	HEAD JACKET, BRONZE IDLER GEAR ^② ^③	
		40K	HEAD JACKET, CARBON GRAPHITE IDLER BUSHING ^② ^③	
		40U	SILICON CARBIDE IDLER BUSHING	
		41U	HEAD JACKET, SILICON CARBIDE IDLER BUSHING	
OPTIONS CONTINUED				

^① 180° PORT HOUSINGS REQUIRED. MUST SELECT BI-ROTATION OPTION 01B.

^② LIMIT JACKET PRESSURE TO 150 PSIG.

^③ D SIZE ONLY: NOT AVAILABLE WITH 180° PORT HSG AND 2 3/4" CENTER-LINE FOOT BRACKET COMBINATION.

^④ DUPONT TEFLON[®] OR EQUIVALENT

^⑤ DUPONT VITON[®] OR EQUIVALENT

^⑥ R SIZE ONLY

CONSULT FACTORY FOR ADDITIONAL OPTIONS

THE GORMAN-RUPP COMPANY • MANSFIELD, OHIO

www.grpumps.com

SUPERSEDES ALL PREVIOUS ISSUES

©2008 The Gorman-Rupp Company

Options (Continued)

CATEGORY	STANDARD	OPTION NUMBER & DESCRIPTION		
ROTOR / SHAFT	HIGH STRENGTH IRON/ STEEL	50B	BRONZE/STEEL ②	
SEAL	MECH. SEAL FRICTION DRIVE - CARBON, NI-RESIST, FLUORO ⑤	60A	FRICTION DRIVE - CARBON, NI-RESIST, BUNA-N	
		60D	POSITIVE DRIVE - CARBON, CERAMIC, PTFE ⑥	
		61J	FRICTION DRIVE - SiC, SiC, FLUOROCARBON ⑤	
	PACKING ⑥ PTFE/GRAPHITE	65A	LIPSEAL - FLUOROCARBON ④ ⑤	
		65B	LIPSEAL - BUNA-N ④	
	SHAFT BUSHING	BRONZE	70A	CARBON BUSHING
			70B	BACKHEAD JACKET ① ③
70M			SILICON CARBIDE BUSHING, SILICON CARBIDE WASHER	
71M			BACKHEAD JACKET, SILICON CARBIDE ① ③	

OPTIONS CONTINUED

CONSULT FACTORY FOR ADDITIONAL OPTIONS

- ① LIMIT JACKET PRESSURE TO 150 PSIG.
- ② MAX. VISCOSITY 15,000 SSU. MAX. DIFFERENTIAL 100 PSI.
- ③ R SIZE ONLY.
- ④ EXCEPT R SIZE.
- ⑤ DUPONT VITON® OR EQUIVALENT
- ⑥ DUPONT TEFLON® OR EQUIVALENT

THE GORMAN-RUPP COMPANY • MANSFIELD, OHIO

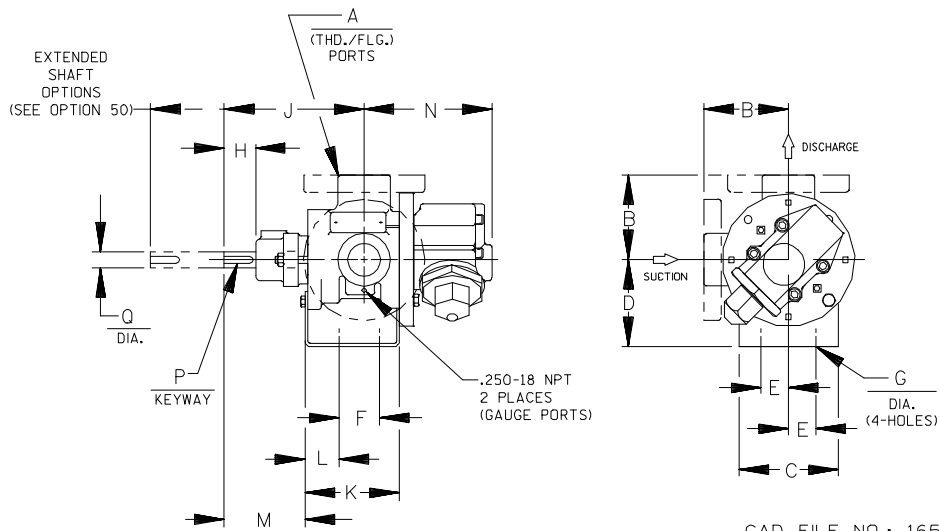
CATEGORY	STANDARD	OPTIONAL NUMBER & DESCRIPTION						
MOUNTING FOOT	SEE TABLE	PUMP CTR. HEIGHT		HYDRAULIC SIZE				
	MOTOR FRAME REF.			D	G	J	N	R
	② G, H, HL INTERCHANGE	80A	2.75"	OPT.	OPT.	---	---	---
	56, 56H, 143T, 145T	80C	3.50"	STD.	STD.	---	---	---
	182, 182T, 184, 184T	80F	4.50"	OPT.	OPT.	OPT.①	OPT.	---
	② K, KK INTERCHANGE	80G	4.63"	---	---	---	OPT.	---
	213, 213T, 215, 215T	80J	5.25"	OPT.	OPT.	STD..	STD.	---
	② L, LQ, LL INTERCHANGE	80N	6.00"	---	---	---	---	OPT.
	254T, 254U, 256T, 256U	80P	6.25"	---	OPT.	OPT.	OPT.	---
	284T, 284U, 286T, 286U	80S	7.00"	---	---	OPT.	OPT.	STD.
	324T, 324U, 326T, 326U	80V	8.00"	---	---	OPT.	OPT.	---
	D80	82A	80mm	OPT.	OPT.	---	---	---
	D90	82B	90mm	OPT.	OPT.	---	---	---
	D100	82C	100mm	OPT.	OPT.	---	---	---
	D112	82D	112mm	OPT.	OPT.	OPT.	OPT.	---
	D132	82E	132mm	OPT.	OPT.	OPT.	OPT.	---
	D160	82F	160mm	---	OPT.	OPT.	OPT.	---
	D180	82G	180mm	---	---	OPT.	OPT.	---
	D200	82H	200mm	---	---	OPT.	OPT.	---

- ① WHEN USED WITH 90° HOUSING, THE RELIEF VALVE EXTENDS BELOW FOOT BRACKET.
- ② FOR COMPETITOR PUMP INTERCHANGE DATA SEE CATALOG REFERENCE SECTION (MODEL INTERCHANGE-ABILITY CHART).

CONSULT FACTORY FOR ADDITIONAL OPTIONS

THE GORMAN-RUPP COMPANY • MANSFIELD, OHIO

www.grpumps.com



CAD FILE NO.: 16530

PUMP MODEL	PUMP DIMENSIONS - INCHES [MILLIMETERS]																	
	A	B	C	D	E	F	G	H	J	K	L	M	N	P	Q			
GMS D	1.00 [25]	2.50* [64]	4.00 [102]	3.50* [89]	1.62 [41]	1.62 [41]	.41 [10]	1.44 [36]	5.81 [148]	3.24 [82]	.89 [23]	3.99 [101]	4.97 [126]	.19 [5] x 1.00 [25]	.62 [16]			
		2.75† [70]		4.50 [114]												5.25 [133]		
		3.19‡ [81]		4.00‡ [102]														
GMS G	1.50 [38]	3.50* [89]	4.88 [124]	3.50* [89]	1.62 [41]	1.62 [41]	.41 [10]	1.64 [42]	5.96 [151]	3.85 [98]	.76 [19]	4.14 [105]	5.70 [145]	.19 [5] x 1.25 [32]	.75 [19]			
		3.75† [95]		4.50 [114]												6.25 [159]		
		4.00‡ [102]		5.25‡ [133]												6.25‡ [159]		
GMS J	2.00 [51]	4.50* [114]	6.88 [175]	5.25* [133]	2.88 [73]	3.00 [76]	.44 [11]	2.50 [64]	9.91 [252]	5.71 [145]	1.18 [30]	7.31 [186]	8.50 [216]	.25 [6] x 2.00 [51]	1.00 [25]			
		5.00† [127]		6.25 [159]												7.00 [178]	8.00 [203]	
		6.00‡ [152]		7.00‡ [178]												8.00‡ [203]		
GMS N	1.50 [38]	5.12* [130]	8.00 [203]	4.50 [114]	2.88 [73]	4.25 [108]	.44 [11]	2.50 [64]	9.20 [234]	6.42 [163]	1.12 [28]	6.12 [155]	7.59 [193]	.25 [6] x 2.00 [51]	1.25 [32]			
				6.25 [159]												7.00 [178]	8.00 [203]	
				7.19‡ [183]												7.00‡ [178]	8.00‡ [203]	8.70* [221]
GMS R	2.00 [51]	6.50* [165]	10.25 [260]	7.00* [178]	3.75 [95]	5.75 [146]	.53 [13]	3.03 [77]	12.50 [318]	8.43 [214]	1.38 [35]	8.35 [212]	11.31 [287]	.38 [10] x 2.25 [57]	1.50 [38]			
																2.50 [64]	7.00‡ [178]	8.00‡ [203]
																3.00 [76]	7.19‡ [183]	8.00‡ [203]

2/1/08

* STANDARD DIMENSION

† 180° HOUSING

‡ PORTS ARE COMPATIBLE WITH 125* OR 250* ANSICAST IRON FLANGES. ALL OTHER PORTS ARE TAPPED NPT FOR ANSIPIPE. OPTIONAL (DIN) FLANGES OR TAPPED (BSP) PORTS AVAILABLE FOR EXPORT MARKET.

THE GORMAN-RUPP COMPANY • MANSFIELD, OHIO

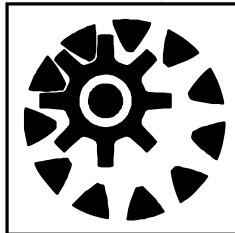
www.grpumps.com

SUPERSEDES ALL PREVIOUS ISSUES

©2008 The Gorman-Rupp Company



ROTARY GEAR PUMPS



©2008 The Gorman-Rupp Company

www.grpumps.com

The Gorman-Rupp Company
305 Bowman Street, Mansfield, Ohio 44902-1217
Phone: 419/755-1011 FAX: 419/755-1251
E-Mail: grsales@gormanrupp.com

The Gorman-Rupp International Company
P.O. Box 1217, Mansfield, Ohio 44901-1217
Phone: 419/755-1011 FAX: 419/755-1266
E-Mail: intsales@gormanrupp.com

Gorman-Rupp of Canada Ltd.
70 Burwell Road
St. Thomas, Ontario N5P3R7
Phone: 519/631-2870 FAX: 519/631-4624
E-Mail: grcanada@grcanada.com

THE GORMAN-RUPP COMPANY • MANSFIELD, OHIO

www.grpumps.com

SUPERSEDES ALL PREVIOUS ISSUES

©2008 The Gorman-Rupp Company