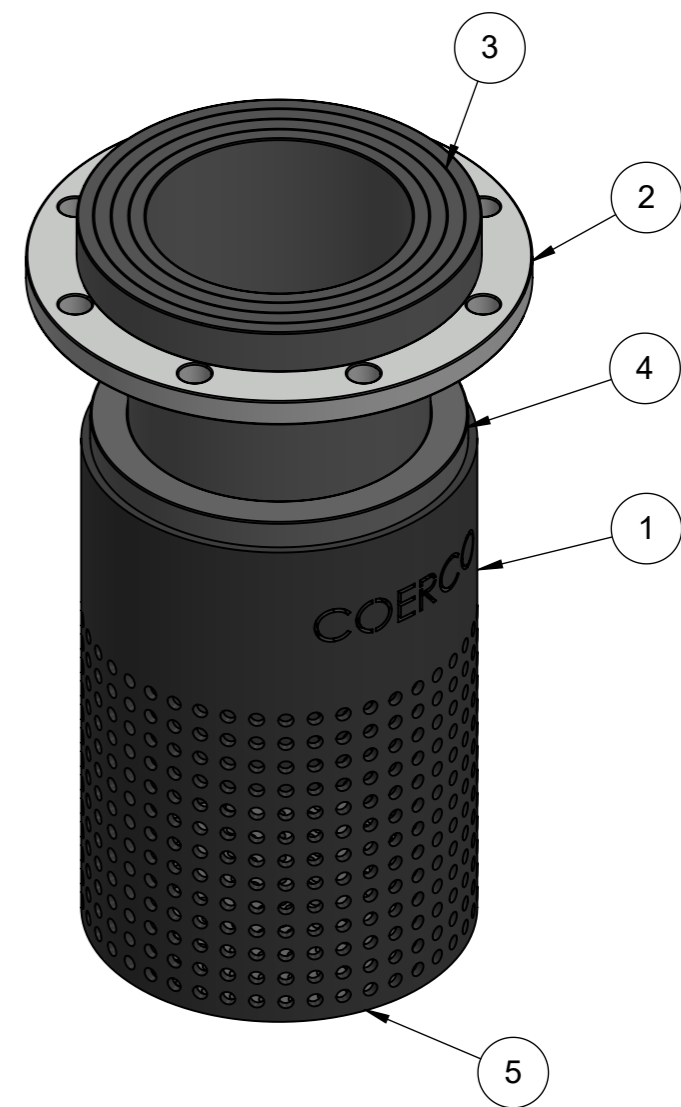


SECTION A-A



DATE 6/03/2019
 PRODUCT PS200-G POLY STRAINER
 PRODUCT CODE
 DRAWING No

MATERIAL HDPE
 SURFACE FINISH
 WALL THICKNESS
 SCALE 1:5

REV	BY	DATE	DESCRIPTION
00	EM	06.03.2019	INITIAL DRAWING RELEASE

SHEET 1 OF 5
 CHKD
 APVD
 SHEET SIZE **A3**

© THIS DRAWING IS THE COPYRIGHT OF COERCO. IT CANNOT BE COPIED IN PART OR FULL WITHOUT THE WRITTEN PERMISSION OF COERCO